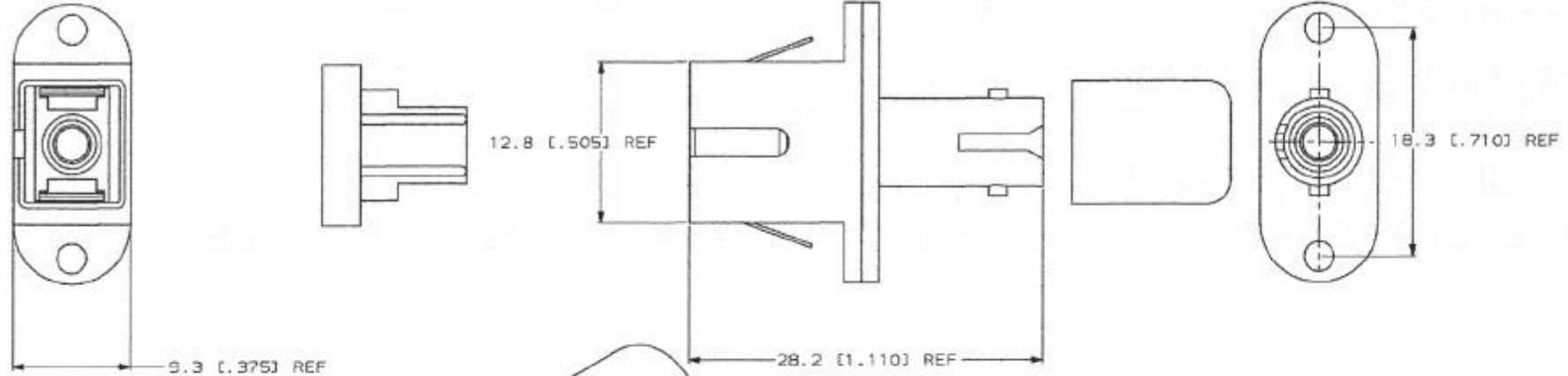
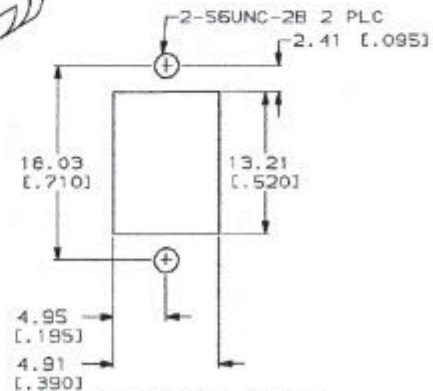
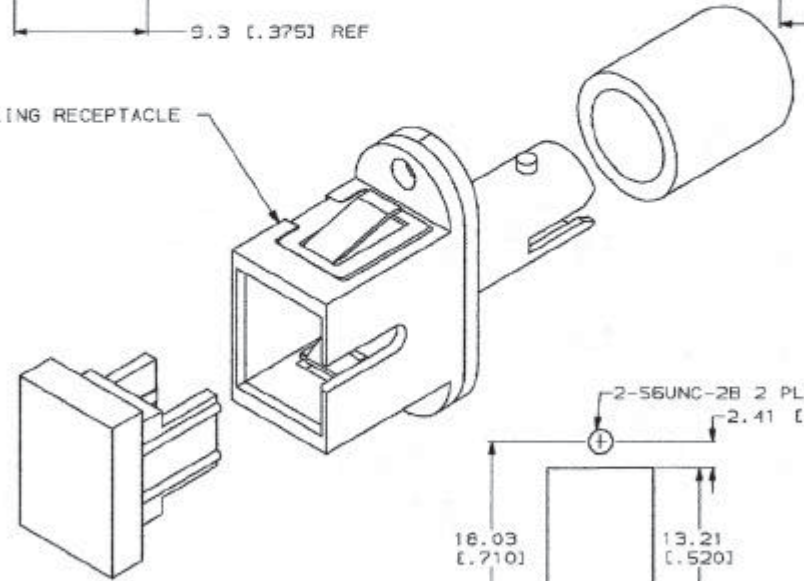


REV	DATE	DESCRIPTION	BY	CHK	APP
CE 16					
E		REVISED PER EC 0A00-0178-98			



COUPLING RECEPTACLE



SUGGESTED PANEL CUTOUT

**MATERIAL:**  
 BODY: THERMOPLASTIC  
 CLIP: STAINLESS STEEL  
 SLEEVE: PHOSPHOR BRONZE  
 SLEEVE: ZIRCONIA  
 DUST COVER: VINYL  
 DUST COVER: THERMOPLASTIC ELASTOMER

- 2. DIMENSIONS IN [ ] ARE IN INCHES.
- 3. BULK PACKAGE, 50 PIECES.
- 4. RETENTION CLIP NOT INCLUDED.

ALIGNMENT SLEEVE	COLOR	PART NO	
▲	METAL	BLACK	1-502780-3
▲	CERAMIC	BEIGE	1-502780-2
▲	CERAMIC	BLUE	1-502780-1
▲	CERAMIC	BLACK	1-502780-0
▲	METAL	BEIGE	502780-9
▲	METAL	BLUE	502780-8
▲	METAL	BLACK	502780-7
▲	CERAMIC	BEIGE	502780-6
▲	CERAMIC	BLUE	502780-5
▲	CERAMIC	BLACK	502780-4
▲	METAL	BEIGE	502780-3
▲	METAL	BLUE	502780-2
▲	METAL	BLACK	502780-1



THIS DRAWING IS A CONTROLLED DOCUMENT.

DESIGNED BY: B. B. SCHAEFER (15A001)  
 CHECKED BY: D. MALHOLLAND (15A001)  
 DRAWN BY: J. EGGLE (15A001)

**TNT** Tri-Net Technology / U.S.A.

AMP SC-ST STYLE COUPLING RECEPTACLE KIT, 2.5mm, HYBRID SERIES

SCALE: A2 00779  
 PART NUMBER: 890-ST-SC-M

CUSTOMER DRAWING  
 SHEET: 1 OF 1  
 REV: E