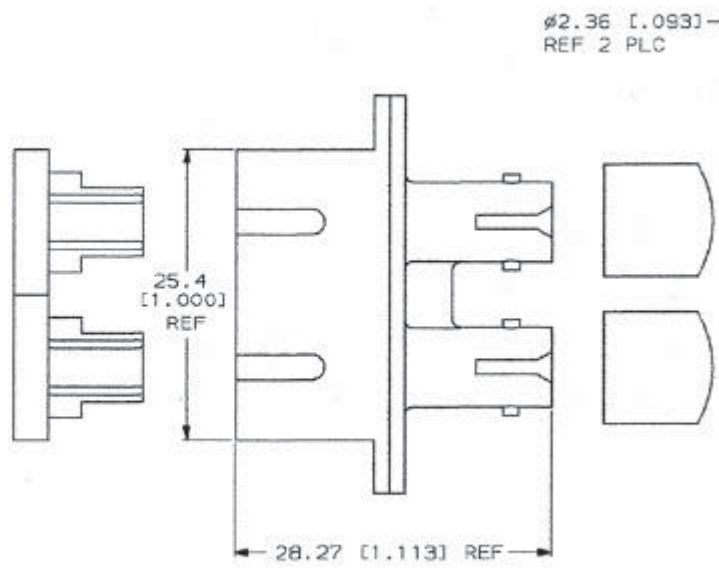
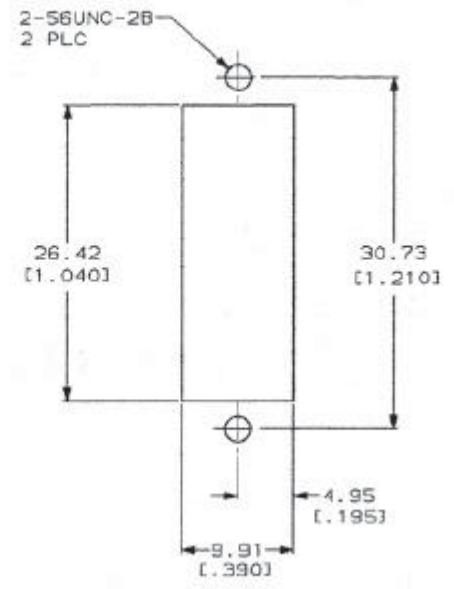
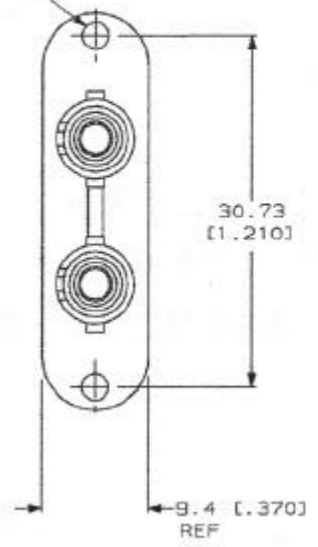


LOC	DIST	REV	ZONE	LTR	DESCRIPTION	DATE	APPR
CE	16	D			REV PER 0A00-0178-98	10/28/98	JW/JE



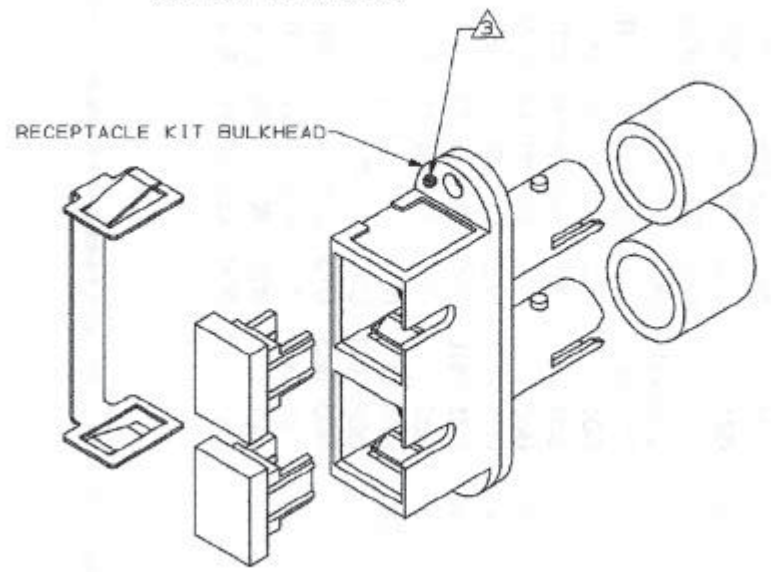
#2.36 [1.093]  
REF 2 PLC



SUGGESTED PANEL CUTOUT

1 MATERIAL:  
 BODY: THERMOPLASTIC  
 SLEEVE: PHOSPHOR BRONZE  
 DUST COVER: THERMOPLASTIC ELASTOMER

2. DIMENSIONS IN [ ] ARE IN INCHES.  
 3 PART IDENTIFIER



RETENTION CLIP	COLOR	MATERIAL	PART NO
RETENTION CLIP	BLACK	METAL	504663-5
RETENTION CLIP	BEIGE	METAL	504663-4
NONE	BLACK	METAL	504663-3
NONE	BEIGE	METAL	504663-2
NONE	LT ALMOND	METAL	504663-1

INCLUDED HARDWARE	COLOR	ALIGNMENT SLEEVE MATERIAL	PART NO
DR 8-3-95 B.BR1965			
CHK 8-3-95 B.BR1965			
APPD 8-3-95 S.WILCOX			
APPD 8-3-95 D.STAKER			
PRODUCT SPEC			
FINISH	APPLICATION SPEC	SIZE C	FSCH NO 00779
		SCALE 3:1	PART NUMBER 890-DST-DSC-M
	WEIGHT		SHEET 1 OF 1

**TNT** Tri-Net Technology / U.S.A.

TITLE  
 DUPLEX RECEPTACLE KIT, MULTIMODE,  
 BULKHEAD, SC TO ST

METRIC