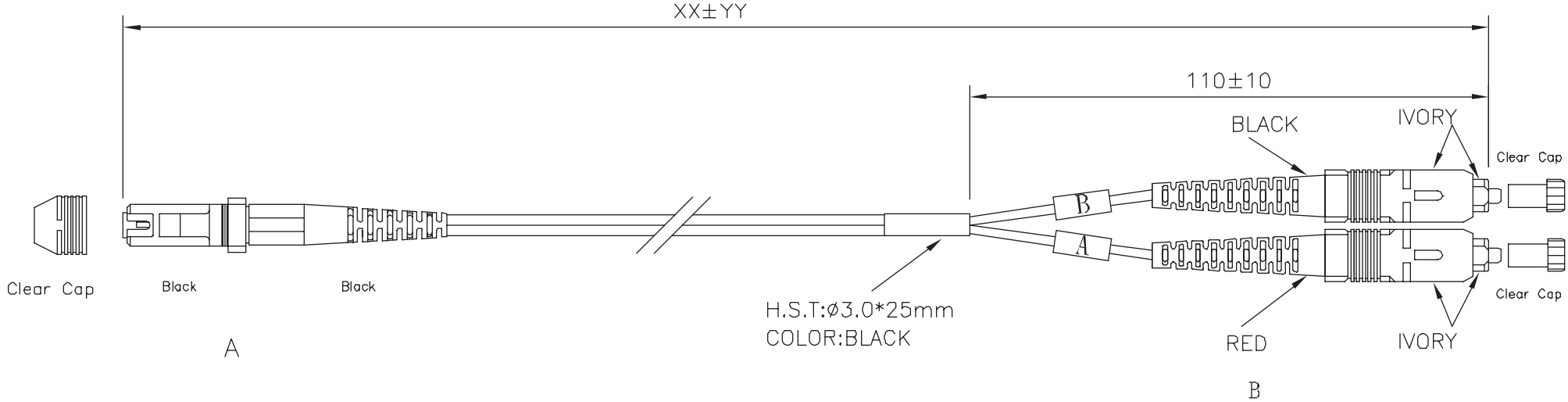


REV	DESCRIPTION	DATE:	APP'D
A	FOR PRODUCTION	02/09/11	



P/N: 800-MTRJ-SC-M-XX-OR



XX	YY
XX ≤ 1M	±50mm
XX > 1M	±100mm



**Specification:**

- |                   |  |                 |                |
|-------------------|--|-----------------|----------------|
| 1. Connector A    | MTRJ/PC M/M  | P/N: 880-MTRJ-M | BOOT:BLACK     |
| 2. Connector B    | DSC/PC M/M   | P/N: 880-SC-M-C | BOOT:RED,BLACK |
| 3. Cable Type     | Duplex ø1.8mm  | 62.5/125um      | Multi-Mode.    |
| 4. Length         | XX(UNIT:METER)   |                 |                |
| 5. Jacket Color   | Orange.  |                 |                |
| 6. Insertion Loss | <0.20 dB   |                 |                |
| 7. PACKING        | EACH CABLE IN A TNT PRINTED ZIP-LOCK POLY-BAG(08*8"*10").<br>BAR CODE LABEL TO BE ADHERED ON POLY-BAG. |                 |                |

TOLERANCE			<b>TNT</b> Tri-Net Technology		
	INCHES	M/M			
.X	.015	.30			
.XX	.010	.10			
.XXX	.005	.05			
DRAWN BY		PART NO.: 800-MTRJ-SC-M-XX-OR			
CHECK BY		SCALE	NONE	DRAWING NO.: TNT-0071	REV A
APPD BY		UNIT	MM		
		DATE	02/09/11		