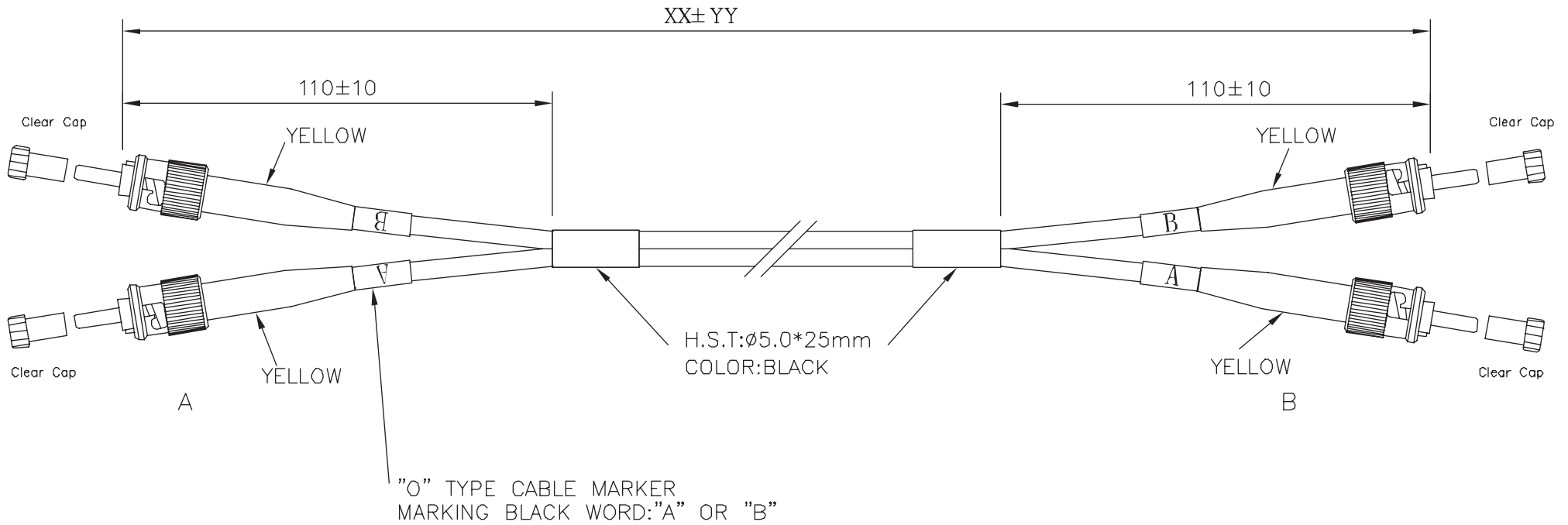


REV	DESCRIPTION	DATE:	APP'D
A	FOR PRODUCTION	02/09/11	



P/N:800-DST-DST-S-XX-YL



XX	YY
XX ≤ 1M	±50mm
XX > 1M	±100mm



Specification:

- | | | |
|-------------------|--|-------------|
| 1. Connector A | ST/PC S/M P/N: 880-ST-S-C | BOOT:YELLOW |
| 2. Connector B | ST/PC S/M P/N: 880-ST-S-C | BOOT:YELLOW |
| 3. Cable Type | Duplex ø3.0mm 9.0/125um Single-Mode. | |
| 4. Length | XX(UNIT:METER) | |
| 5. Jacket Color | YELLOW. | |
| 6. Insertion Loss | <0.40 dB | |
| 7. Return Loss | >50 dB | |
| 8. PACKING | EACH CABLE IN A TNT PRINTED ZIP-LOCK POLY-BAG(08*8"*10").
BAR CODE LABEL TO BE ADHERED ON POLY-BAG. | |

TOLERANCE			TNT Tri-Net Technology	
INCHES	M/M			
.X	.015	.30	TITLE: Single-Mode Duplex ST-ST	
.XX	.010	.10		
.XXX	.005	.05		
DRAWN BY		PART NO.: 800-DST-DST-S-XX-YL		
CHECK BY		SCALE	NONE	DRAWING NO.: TNT-0070
APPD BY		UNIT	MM	
		DATE	02/09/11	REV A