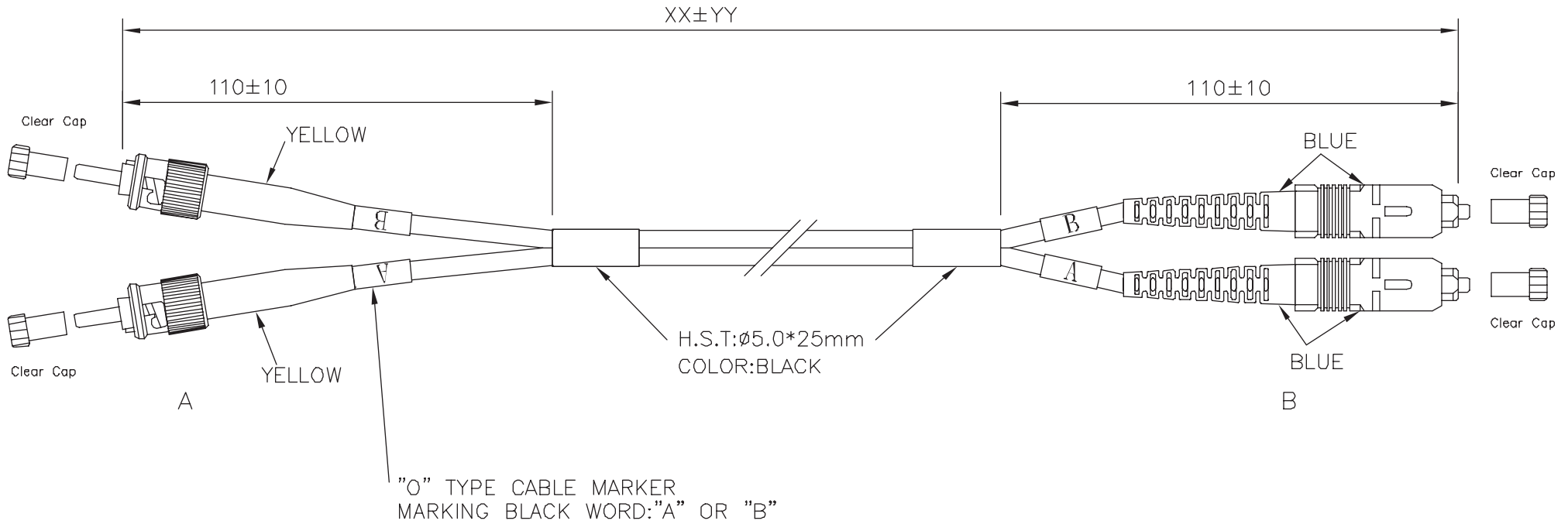


REV	DESCRIPTION	DATE:	APP'D
A	FOR PRODUCTION	02/09/11	



P/N:800-DST-DSC-S-XX-YL



XX	YY
XX ≤ 1M	±50mm
XX > 1M	±100mm



**Specification:**

- |                   |  |             |
|-------------------|--|-------------|
| 1. Connector A    | ST/PC S/M P/N: 880-ST-S-C  | BOOT:YELLOW |
| 2. Connector B    | SC/PC S/M P/N: 880-SC-S-C  | BOOT:BLUE   |
| 3. Cable Type     | Duplex Ø3.0mm 9.0/125um Single-Mode.   |             |
| 4. Length         | XX(UNIT:METER)   |             |
| 5. Jacket Color   | YELLOW.  |             |
| 6. Insertion Loss | <0.40 dB   |             |
| 7. Return Loss    | >50 dB   |             |
| 8. PACKING        | EACH CABLE IN A TNT PRINTED ZIP-LOCK POLY-BAG(08*8"*10").<br>BAR CODE LABEL TO BE ADHERED ON POLY-BAG. |             |

TOLERANCE			TNT Tri-Net Technology			
INCHES	M/M					
.X	.015	.30	TITLE: Single-Mode Duplex ST-SC			
.XX	.010	.10	PART NO.: 800-DST-DSC-S-XX-YL			
.XXX	.005	.05				
DRAWN BY			SCALE	NONE	DRAWING NO.:	REV
CHECK BY			UNIT	MM	TNT-0068	A
APPD BY			DATE	02/09/11		