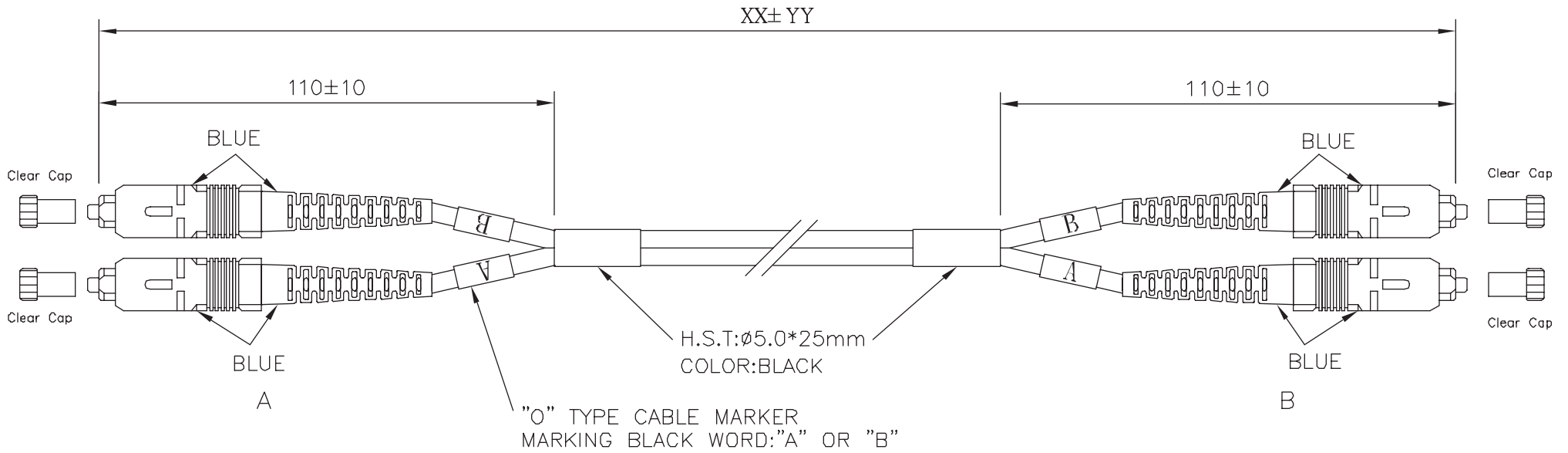


SHEET 1 OF 1	P/N: 800-DSC-DSC-S-XX-YL	REV	DESCRIPTION	DATE:	APP'D
		A	FOR PRODUCTION	02/09/11	



P/N: 800-DSC-DSC-S-XX-YL



XX	YY
XX ≤ 1M	±50mm
XX > 1M	±100mm



Specification:

- | | | | |
|-------------------|--------------------------------------------------------------------------------------------------------|-----------------|--------------|
| 1. Connector A | SC/PC S/M | P/N: 880-SC-S-C | BOOT:BLUE |
| 2. Connector B | SC/PC S/M | P/N: 880-SC-S-C | BOOT:BLUE |
| 3. Cable Type | Duplex Ø3.0mm | 9.0/125um | Single-Mode. |
| 4. Length | XX(UNIT:METER) | | |
| 5. Jacket Color | Yellow | | |
| 6. Insertion Loss | <0.40 dB | | |
| 7. Return Loss | >50 dB | | |
| 8. PACKING | EACH CABLE IN A TNT PRINTED ZIP-LOCK POLY-BAG(08*8"*10").
BAR CODE LABEL TO BE ADHERED ON POLY-BAG. | | |

TOLERANCE			TNT Tri-Net Technology			
INCHES	M/M					
.X	.015	.30	TITLE: Single-Mode Duplex SC-SC			
.XX	.010	.10				
.XXX	.005	.05				
DRAWN BY			PART NO.: 800-DSC-DSC-S-XX-YL			
CHECK BY			SCALE	NONE	DRAWING NO.: TNT-0066	REV A
APPD BY			UNIT	MM		
			DATE	02/09/11		