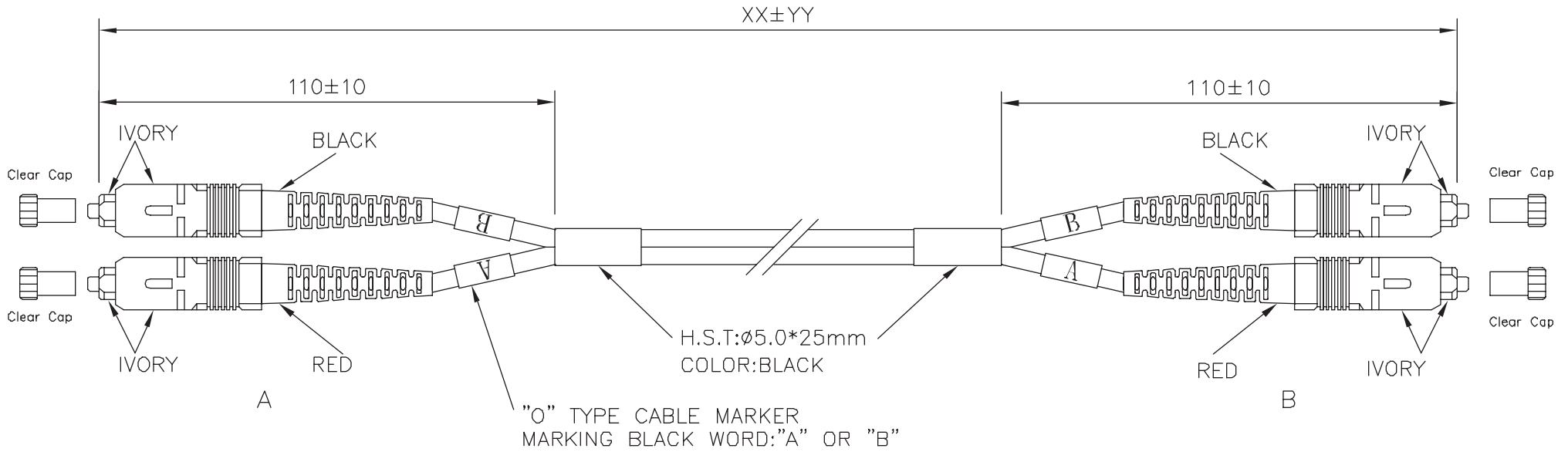


REV	DESCRIPTION	DATE:	APP'D
A	FOR PRODUCTION	02/09/11	



P/N:800-DSC-DSC-M-XX-OR



XX	YY
XX ≤ 1M	±50mm
XX > 1M	±100mm



Specification:

- 1. Connector A SC/PC M/M P/N: 880-SC-M-C₁ BOOT:RED,BLACK
- 2. Connector B SC/PC M/M P/N: 880-SC-M-C₁ BOOT:RED,BLACK
- 3. Cable Type Duplex Ø3.0mm 62.5/125um Multi-Mode.
- 4. Length XX(UNIT:METER)
- 5. Jacket Color Orange.
- 6. Insertion Loss <0.20 dB
- 7. PACKING EACH CABLE IN A TNT PRINTED ZIP-LOCK POLY-BAG(08*8*10"). BAR CODE LABEL TO BE ADHERED ON POLY-BAG.

TOLERANCE			TNT Tri-Net Technology			
INCHES	M/M					
.X	.015	.30	TITLE: Multi-Mode Duplex SC-SC			
.XX	.010	.10				
.XXX	.005	.05				
DRAWN BY			PART NO.: 800-DSC-DSC-M-XX-OR			
CHECK BY			SCALE	NONE	DRAWING NO.: TNT-0065	REV A
APPD BY			UNIT	MM		
			DATE	02/09/11		