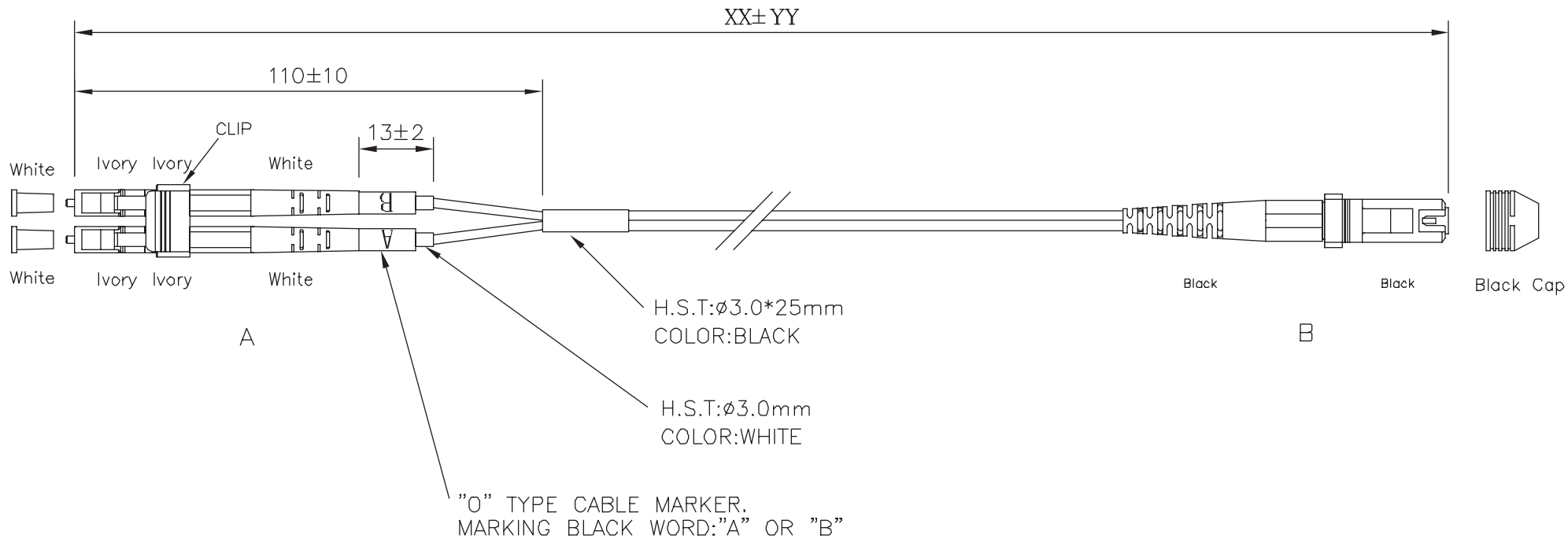


| REV | DESCRIPTION | DATE: | APP'D |
|-----|----------------|----------|-------|
| A | FOR PRODUCTION | 02/09/11 | |



P/N: 800-DLC-MTRJ-M-XX-OR



| XX | YY |
|---------|--------|
| XX ≤ 1M | ±50mm |
| XX > 1M | ±100mm |



Specification:

- | | | | |
|-------------------|---|-----------------|-------------|
| 1. Connector A | LC/PC M/M | P/N: 880-LC-M-C | BOOT:WHITE |
| 2. Connector B | MTRJ/PC M/M | P/N: 880-MTRJ-M | BOOT:BLACK |
| 3. Cable Type | Duplex ø1.8mm | 62.5/125um | Multi-Mode. |
| 4. Length | XX(UNIT:METER) | | |
| 5. Jacket Color | Orange. | | |
| 6. Insertion Loss | <0.20 dB | | |
| 7. PACKING | EACH CABLE IN A TNT PRINTED ZIP-LOCK POLY-BAG(08*8*10"). BAR CODE LABEL TO BE ADHERED ON POLY-BAG. | | |

| TOLERANCE | | | | |
|-----------|--------|----------|---------------------------------|-----|
| | INCHES | M/M | | |
| .X | .015 | .30 | | |
| .XX | .010 | .10 | | |
| .XXX | .005 | .05 | | |
| DRAWN BY | | | PART NO. : 800-DLC-MTRJ-M-XX-OR | |
| CHECK BY | SCALE | NONE | DRAWING NO. : | REV |
| | UNIT | MM | | |
| APPD BY | DATE | 02/09/11 | TNT-0064 | A |