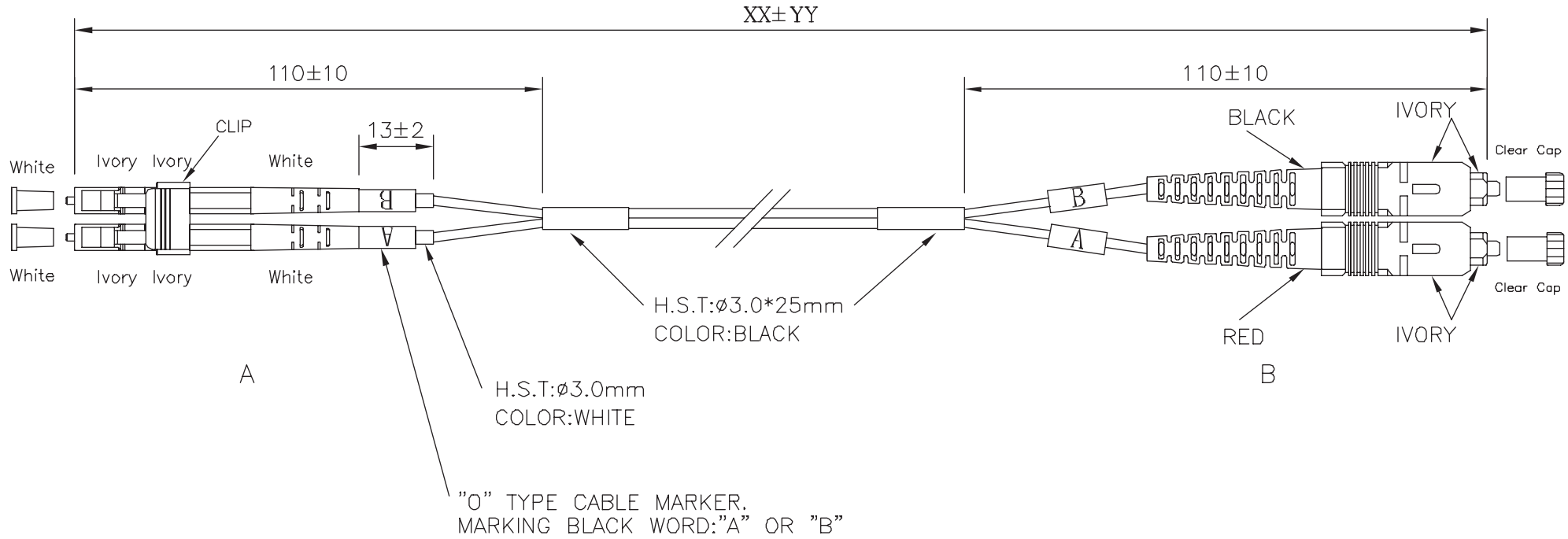


REV	DESCRIPTION	DATE:	APP' D
A	FOR PRODUCTION	02/09/11	



P/N: 800-DLC-DSC-M-XX-OR



XX	YY
XX ≤ 1M	±50mm
XX > 1M	±100mm



Specification:

- | | | | |
|-------------------|---|------------------------------|----------------|
| 1. Connector A | LC/PC M/M | P/N: 880-LC-M-C | BOOT:WHITE |
| 2. Connector B | SC/PC M/M | P/N: 880-SC-M-C ₁ | BOOT:RED,BLACK |
| 3. Cable Type | Duplex ∅1.8mm 62.5/125um Multi-Mode. | | |
| 4. Length | XX(UNIT:METER) | | |
| 5. Jacket Color | Orange. | | |
| 6. Insertion Loss | <0.20 dB | | |
| 7. PACKING | EACH CABLE IN A TNT PRINTED ZIP-LOCK POLY-BAG(08*8*10").
BAR CODE LABEL TO BE ADHERED ON POLY-BAG. | | |

TOLERANCE			TNT Tri-Net Technology	
INCHES	M/M			
.X	.015	.30	TITLE: Multi-Mode Duplex LC-SC	
.XX	.010	.10		
.XXX	.005	.05		
DRAWN BY			PART NO.: 800-DLC-DSC-M-XX-OR	
CHECK BY	SCALE	NONE	DRAWING NO.:	REV
APPD BY	UNIT	MM		
	DATE	02/09/11		