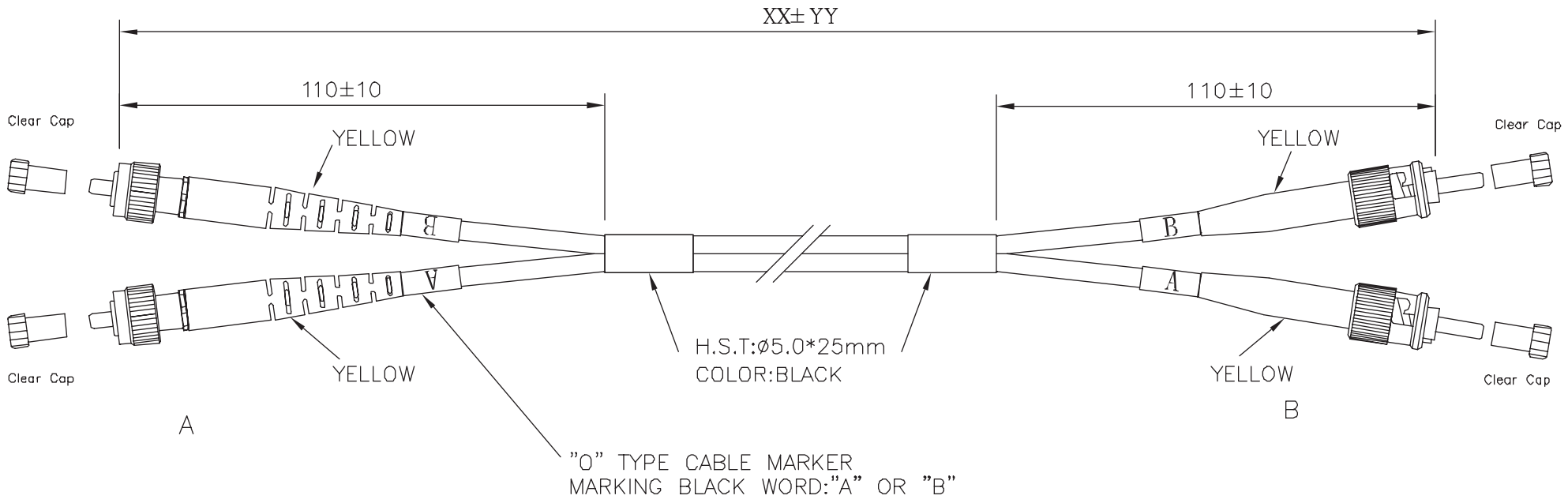


REV	DESCRIPTION	DATE:	APP'D
A	FOR PRODUCTION	02/09/11	



P/N: 800-DFC-DST-S-XX-YL



XX	YY
XX ≤ 1M	±50mm
XX > 1M	±100mm



**Specification:**

- |                   |  |                 |              |
|-------------------|--|-----------------|--------------|
| 1. Connector A    | FC/PC S/M  | P/N: 880-FC-S-C | BOOT:YELLOW  |
| 2. Connector B    | ST/PC S/M  | P/N: 880-ST-S-C | BOOT:YELLOW  |
| 3. Cable Type     | Duplex ø3.0mm  | 9.0/125um       | Single-Mode. |
| 4. Length         | XX(UNIT:METER)   |                 |              |
| 5. Jacket Color   | YELLOW.  |                 |              |
| 6. Insertion Loss | <0.40 dB   |                 |              |
| 7. Return Loss    | >50 dB   |                 |              |
| 8. PACKING        | EACH CABLE IN A TNT PRINTED ZIP-LOCK POLY-BAG(08*8"*10").<br>BAR CODE LABEL TO BE ADHERED ON POLY-BAG. |                 |              |

TOLERANCE			<b>TNT</b> Tri-Net Technology			
INCHES	M/M					
.X	.015	.30	TITLE: Single-Mode Duplex FC-ST			
.XX	.010	.10	PART NO.: 800-DFC-DST-S-XX-YL			
.XXX	.005	.05				
DRAWN BY			SCALE	NONE	DRAWING NO.:	REV
CHECK BY			UNIT	MM	TNT-0057	A
APPD BY			DATE	02/09/11		