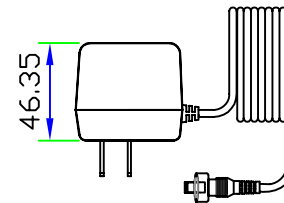
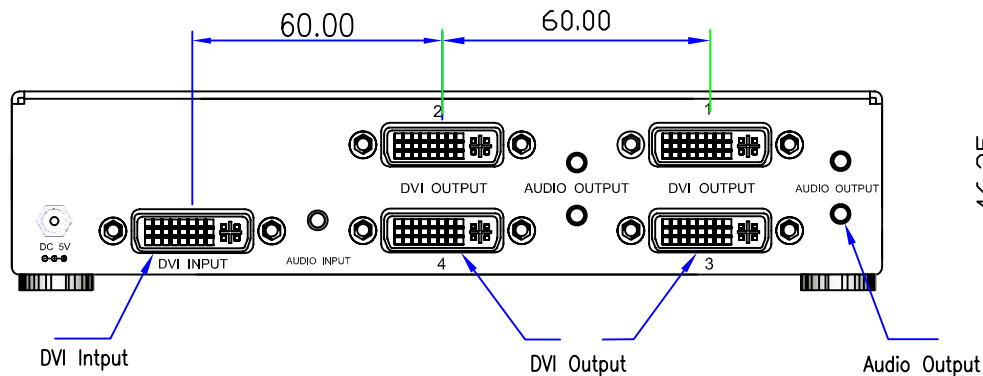
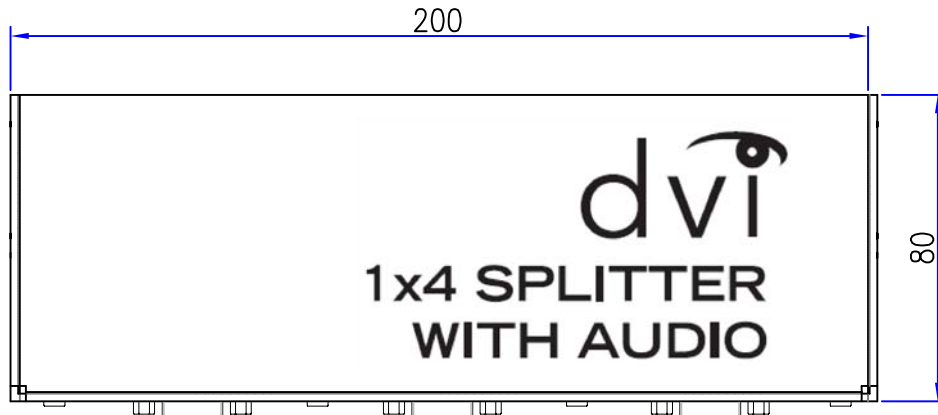
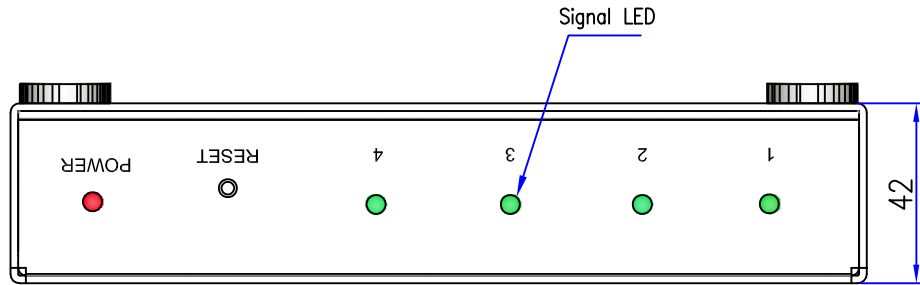


CUSTOMER: TNTUSA



Power adapter  
Input: 110-240V  
Output: 5V, 2.0A

**Description:**

The 1x4 DVI video splitter duplicate and boost the video signal from 1 input to 4 outputs. and video resolution as well as extend the transmission. which allows them to accept HDTV signals with resolutions up to 1080p and computer resolutions up to 1920x1200 / 60hz. the 1x4 DVI video splitter comes with audio.

**Specifications:**

1. Splits one digital signal between four digital monitors.
2. Fully compliant with DVI 1.0 standard.(Support HDCP)
3. Maintains highest DVI single-link 1920x1200 video resolution.
4. Support all computer operating system.
5. No need a driver and easy installation
6. Transmit audio and VGA video signal without delay.
7. Power Consumption: 10 Watts (max.)
8. Power Supply DC 5V, 2.0A
9. Dimensions: 200.0(L) x 80.0(W) x 42.0(H)mm
10. Shell Color: Black

A	INITIAL RELEASE		12/19/09								
REV	DESCRIPTION OF CHANGE		DATE								
TOLERANCE		M/M		Tri-Net Technology, Inc. <a href="http://www.trinetusa.com">http://www.trinetusa.com</a>							
.X	.015	.30									
.XX	.010	.10									
.XXX	.005	.05		<table border="1"> <tr> <td>SCALE</td> <td>NONE</td> <td rowspan="2"> </td> <td rowspan="2">REV</td> <td rowspan="2">A</td> </tr> <tr> <td>UNIT</td> <td>MM</td> </tr> </table>	SCALE	NONE		REV	A	UNIT	MM
SCALE	NONE		REV	A							
UNIT	MM										
DRAWN BY	JON		SHEET	1/2							
CHECK BY			DATE	12/19/09							
APPD BY			DWG NO.	TNT-							
			TITLE	DVI 1IN 4OUT Splitter							
			PART NO.	R05-SPL-35A-104							

