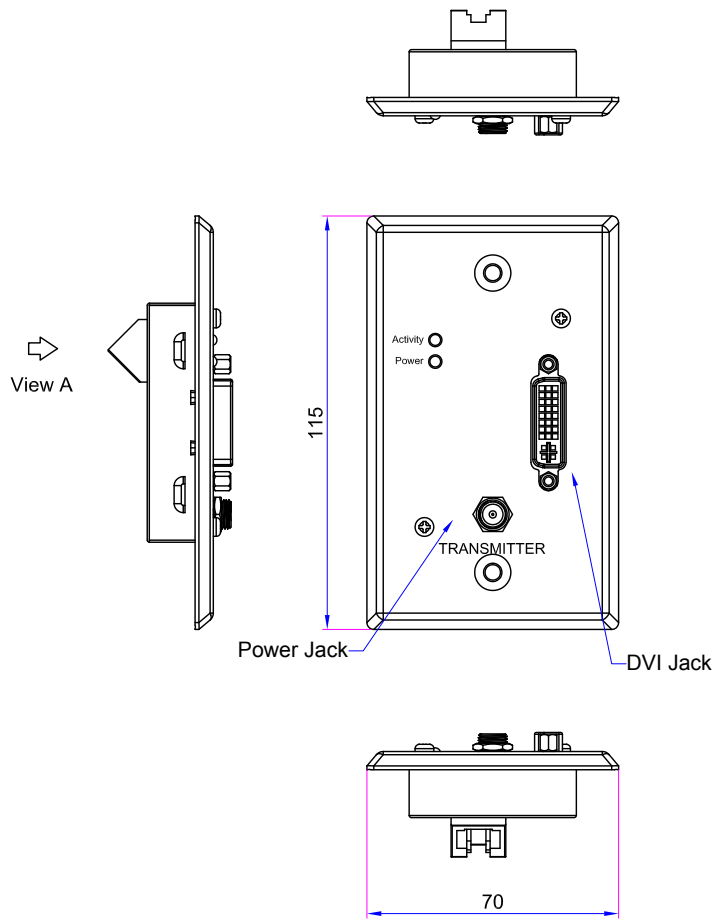


- Specifications:
- 1.Extends the transmission distance up to 200ft @1024 x 768 @60Hz or 125ft @1600 x 1200 @60Hz
 - 2.DVI 1.1 compliant (Bandwidth=4.95 Gbps) single link.
 - 3.Transmitter:1xDVI female input/1x RJ45 output
 - 4.Receiver:1xRJ45 input/1x DVI female output
 - 5.HDCP compliant

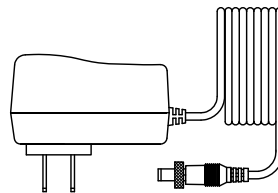
Description:
DVI Extender over one CAT5/6 cable-active HDCP compliant RJ45 wallplate style set.

GENERAL TOLERANCE (Unless Specified)			Title DVI Cat5 Xtndr Actv HDCP Wallplate Kit			
DECIMALS	INCHES	MM	UNITS	mm	MOD. NO	R05-EXT-DSL-HP-JP
.X	0.015	0.30	SHEET	6-2	DOC. NO	
.XX	0.010	0.10	DATA	07/18/11	PART NO	
.XXX	0.005	0.05	VER.	A	DWG. NO	
ANGLE : ± 0.5°			APPD.	CHK.	DR.	Afra

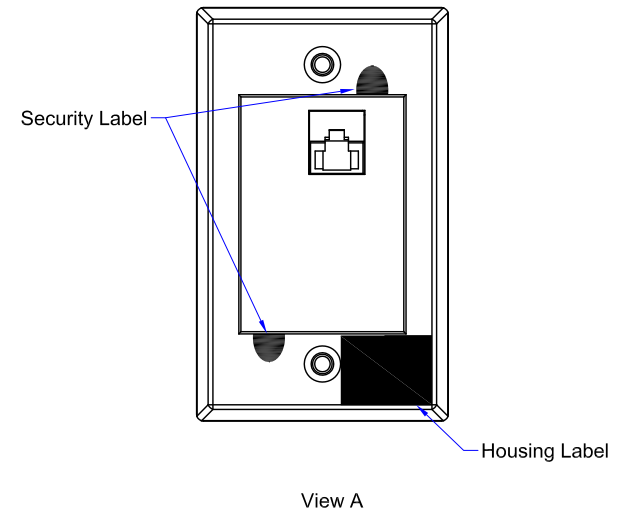





45° RJ45 JACK



Power adapter
Input: 100-240V
Output: 5V,2A



	07/18/11	Revise TX & RX housing label
A	06/29/11	INITIAL RELEASE
REV	DATE	DESCRIPTION OF CHANGE
 Tri-Net Technology, Inc. <small>Total Network. Telesis. U.S.A.</small>		
GENERAL TOLERANCE (Unless Specified)		Title DVI Cat5 Xtndr Actv HDCP Wallplate Kit
DECIMALS	INCHES	MM
.x	0.015	0.30
.xx	0.010	0.10
.xxx	0.005	0.05
ANGLE : ±	0.5°	
	APPD.	CHK.
		DR.
		Afra