



LABEL-1


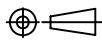
Describe:

The Digital Visual Interface is a high-quality, uncompressed data link between a host processor video card and a display peripheral. Optical technology for this transmission stretches the performance beyond the limitations of copper wire with long length, data security, negligible RFI/EMI and the elimination of costly analog distribution systems.

The EDID in a display can be read and restored by just plugging it to the display. The self EDID programming feature makes the installation of DVI Fiber Extender more easy and flexible at any variable resolution display systems.

The four optical data, Red, Green, Blue, and clock can be extended up to 500 meters(1640ft) over a pair of LC duplex multi-mode fibers at WUXGA(1,920×1,200) at 60 Hz vertical refresh.

An external power adapter is required for the receiver module, while most video cards can provide +5VDC power to the transmitter module. The transmitter and receiver modules are clearly labeled to prevent reverse installation modules.

B						
A	INITIAL RELEASE				11/10/09	
REV	DESCRIPTION OF CHANGE				DATE	
TOLERANCE INCHES			M/M			 Tri-Net Technology, Inc. http://www.trinetusa.com
.X	.015	.30				
.XX	.010	.10	SCALE	NONE	 REV A	
.XXX	.005	.05	UNIT	MM		
DRAWN BY	starl		SHEET	1/3	DWG NO. TNT-S101-E0035	
CHECK BY			TITLE DVI Fiber Extender -transmit			
APPD BY			PART NO. R05-EXT-4FB			





Describe:

The Digital Visual Interface is a high-quality, uncompressed data link between a host processor video card and a display peripheral. Optical technology for this transmission stretches the performance beyond the limitations of copper wire with long length, data security, negligible RFI/EMI and the elimination of costly analog distribution systems.

The EDID in a display can be read and restored by just plugging it to the display. The self EDID programming feature makes the installation of DVI Fiber Extender more easy and flexible at any variable resolution display systems.

The four optical data, Red, Green, Blue, and clock can be extended up to 500 meters(1640ft) over a pair of LC duplex multi-mode fibers at WUXGA(1,920×1,200) at 60 Hz vertical refresh.

An external power adapter is required for the receiver module, while most video cards can provide +5VDC power to the transmitter module. The transmitter and receiver modules are clearly labeled to prevent reverse installation modules.

LABEL-2

B						
A	INITIAL RELEASE				11/10/09	
REV	DESCRIPTION OF CHANGE				DATE	
TOLERANCE			Tri-Net Technology, Inc.			
INCHES			http://www.trinetusa.com			
.X	.015	.30	SCALE	NONE	REV A	
.XX	.010	.10	UNIT	MM		
.XXX	.005	.05				
DRAWN BY	starl		SHEET	2/3	DWG NO.	
			DATE	11/10/09	TNT-S101-E0035	
CHECK BY			TITLE			
			DVI Fiber Extender -receiver			
APPD BY			PART NO.			
			R05-EXT-4FB			

