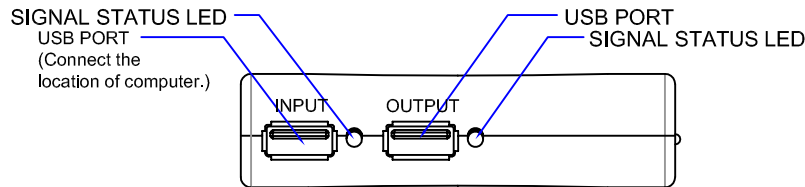
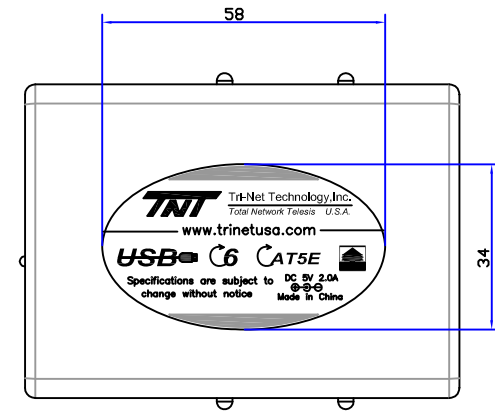
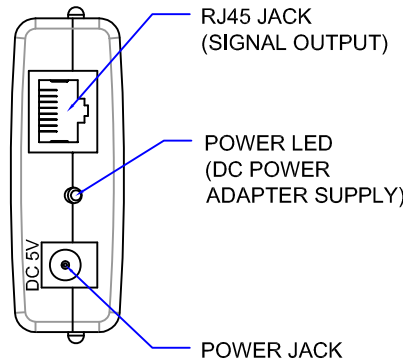
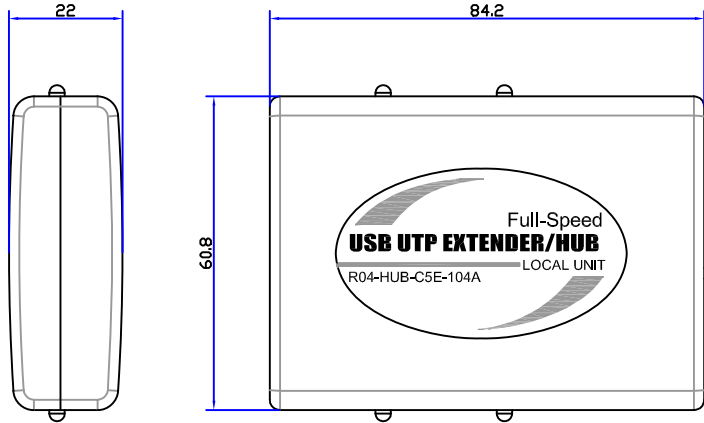
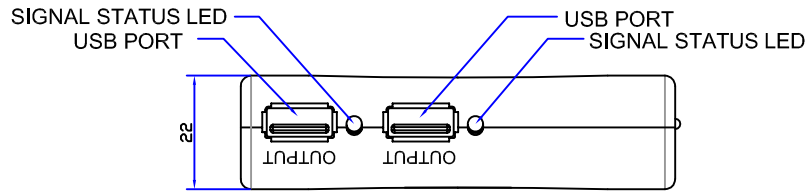


CUSTOMER:



Power Adapter
Input: 110-240V
Output: 5V, 2.0A

Description:

Extending your USB peripherals (i.e. computer keyboard, mouse or hard drive) up to 40m/133.3 feet away from the location of your computer are done easily with the USB UTP Extender/Hub. The USB UTP Extender/Hub signal is sent between the Local and Remote unit controls USB peripherals by buffering the USB signal through send and receive line drivers. The signal is extended by using RJ45 cabling.

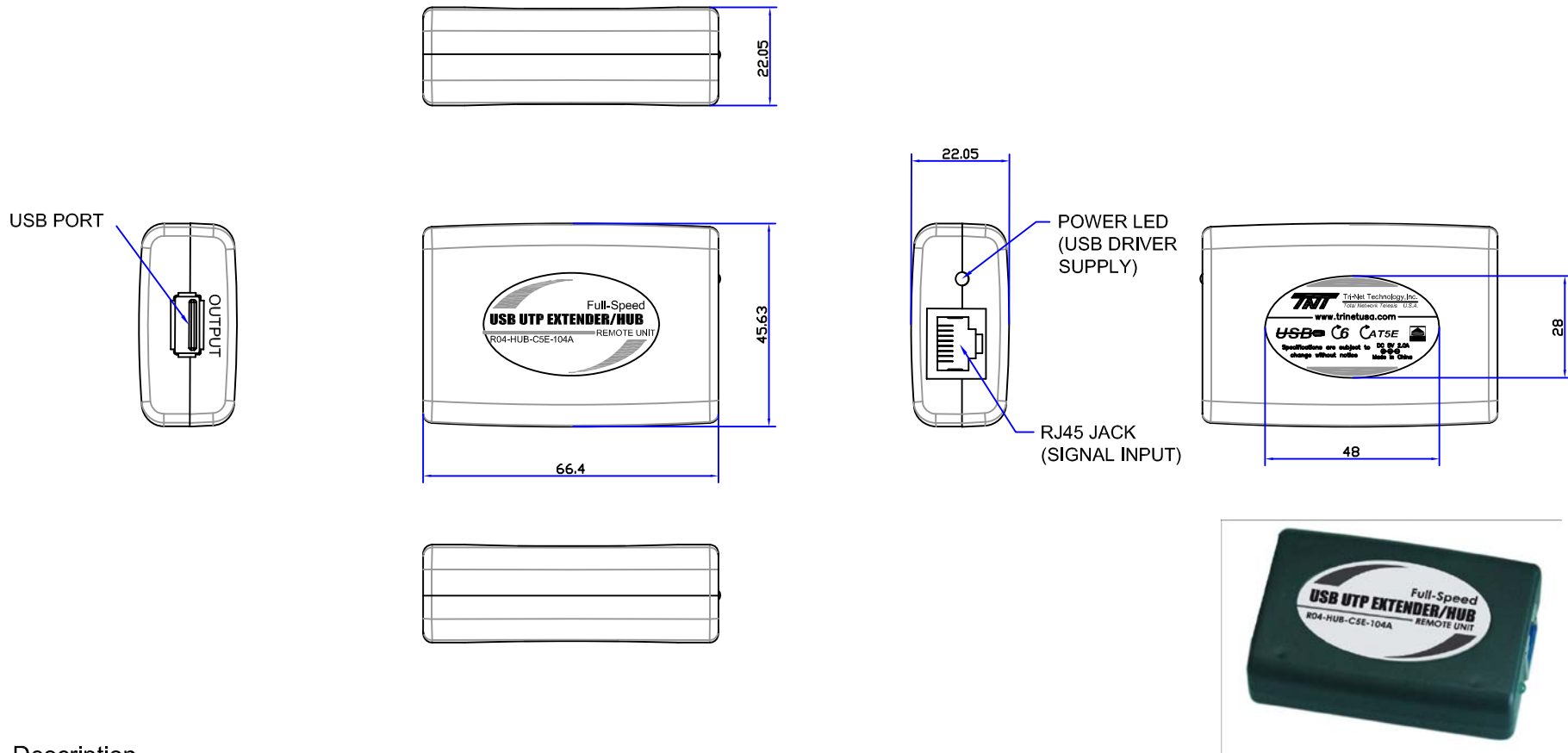
Specifications:

1. Connector Type: 3 type A USB male
2. Link Connector: RJ45
3. Dimensions: 84.2(L) x 60.8(W) x 22(H)
4. Product Weight(net): 56g
5. Shell Color: Black



A	INITIAL RELEASE		05/02/08		
REV	DESCRIPTION OF CHANGE		DATE		
TOLERANCE		Tri-Net Technology, Inc. http://www.trinetusa.com			
INCHES		M/M			
.X	.015	.30	SCALE		NONE
.XX	.010	.10	UNIT		MM
.XXX	.005	.05	SHEET 1/2		
DRAWN BY phymily		DATE 05/02/08		DWG NO.	
CHECK BY		TITLE			
APPD BY		PART NO. R04-HUB-C5E-104A			

CUSTOMER:



Description

Extending your USB peripherals (i.e. computer keyboard, mouse or hard drive) up to 40m/133.3 feet away from the location of your computer are done easily with the USB UTP Extender/Hub. The USB UTP Extender/Hub signal is sent between the Local and Remote unit controls USB peripherals by buffering the USB signal through send and receive line drivers. The signal is extended by using RJ45 cabling.

Specifications:

1. Connector Type: 1 type A USB male
2. Link Connector: RJ45
3. Dimensions: 66.4(L) x 45.63(W) x 20.05(H)
4. Product Weight(net): 41g
5. Shell Color: Black



A	INITIAL RELEASE		05/02/08	
REV	DESCRIPTION OF CHANGE		DATE	
TOLERANCE		Tri-Net Technology, Inc. http://www.trinetusa.com		
INCHES	M/M			
.X	.015 .30			
.XX	.010 .10	SCALE	NONE	REV A
.XXX	.005 .05	UNIT	MM	
DRAWN BY	phymily	SHEET	2/2	DWG NO.
		DATE	05/02/08	
CHECK BY		TITLE		
		USB UTP Extender/HUB Remote Unit(1 Port)		
APPD BY		PART NO.	R04-HUB-C5E-104A	