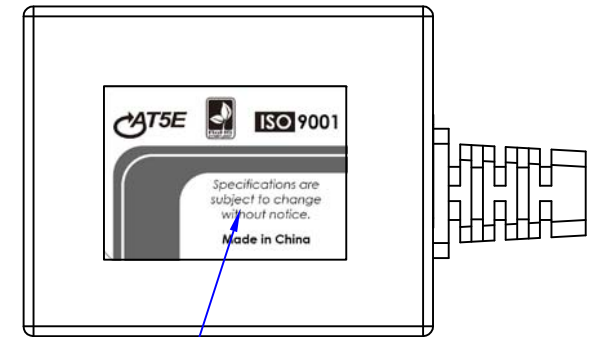


The back of product



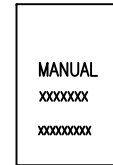
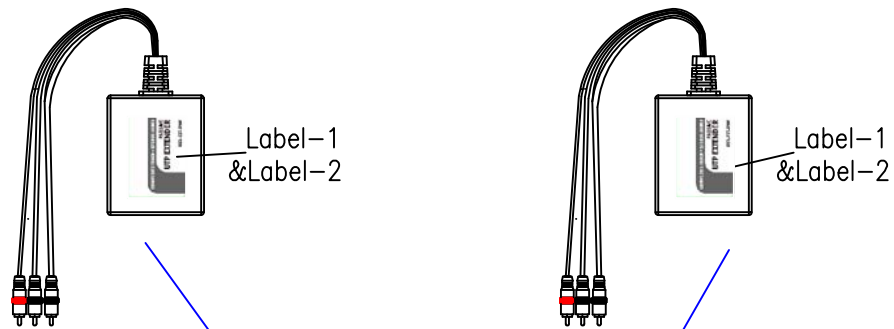
Label-2 (BLACK ON GREY)

Description:

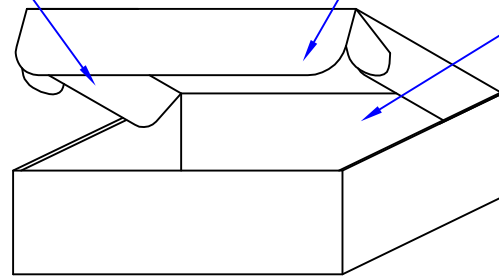
The perfect solution for connecting composite video devices using UTP(Cat5/5e/6) cable, this Composite Video UTP Extender lets you extend signals up to 300ft./100m. R03-EXT-RWY is comprised of two extender units that can be used interchangeably: one is installed near the video signal source, the other to be placed near the desired display, up to an impressive 300ft./100m away. With no software or power adapter required, installation and setup is quick and hassle-free.



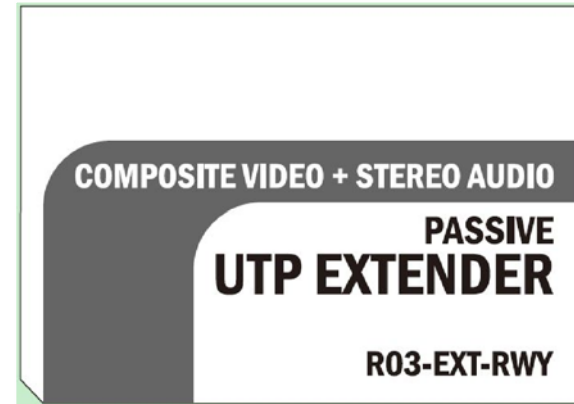
A	INITIAL RELEASE		02/04/10	
REV	DESCRIPTION OF CHANGE		DATE	
TOLERANCE INCHES		M/M	TNT Tri-Net Technology, Inc. http://www.trinetusa.com	
.X	.015	.30	SCALE NONE	REV A
.XX	.010	.10	UNIT MM	
.XXX	.005	.05	SHEET 1/4	DWG NO.
DRAWN BY starl		DATE 02/04/10		
CHECK BY	TITLE COMPONENT VIDEO(RWY)			
APPD BY	PART NO. R03-EXT-RWY			



Owner's Manual
(1pcs)



White Inner Box
(1pcs)



Label-1(34.5*25mm)
(BLACK ON GREY)

Packaging Details:

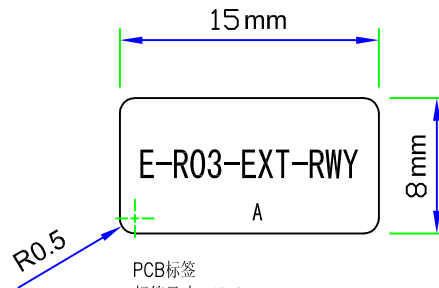
- 1) Stick the label-1 onto the Product's TOP.
Label-2 onto the Product's Bottom.
- 2) Need to put owner's manual and power adapter inside the inner box
- 3) Stick the Label-3 onto this inner box.
- 4) Finally, pack the whole item using pyrocondensation film.
- 5) Inner box size: 134(L)X123(W)X41(H)MM
- 6) Outer carton size: 381(L)X280(W)X474(H)MM
- 7) Put 50pcs of inner boxes into an outer carton.

A	INITIAL RELEASE		02/04/10				
REV	DESCRIPTION OF CHANGE		DATE				
TOLERANCE INCHES		M/M	Tri-Net Technology, Inc. http://www.trinetusa.com				
.X	.015	.30				SCALE	NONE
.XX	.010	.10				UNIT	MM
.XXX	.005	.05	DATE	02/04/10	REV A		
DRAWN BY	starl		SHEET	3/4	DWG NO.		
CHECK BY			TITLE COMPONENT VIDEO(RWY)				
APPD BY			PART NO. R03-EXT-RWY				

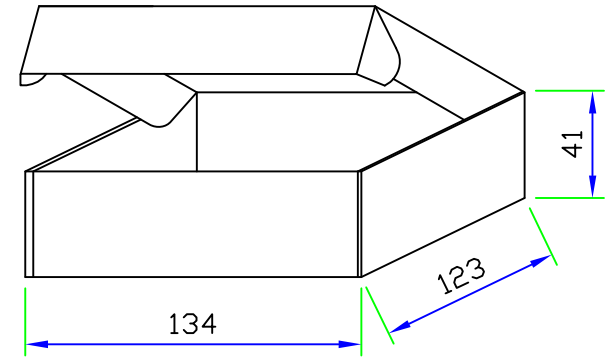




Label-2(34.5*25mm)
(BLACK ON GREY)



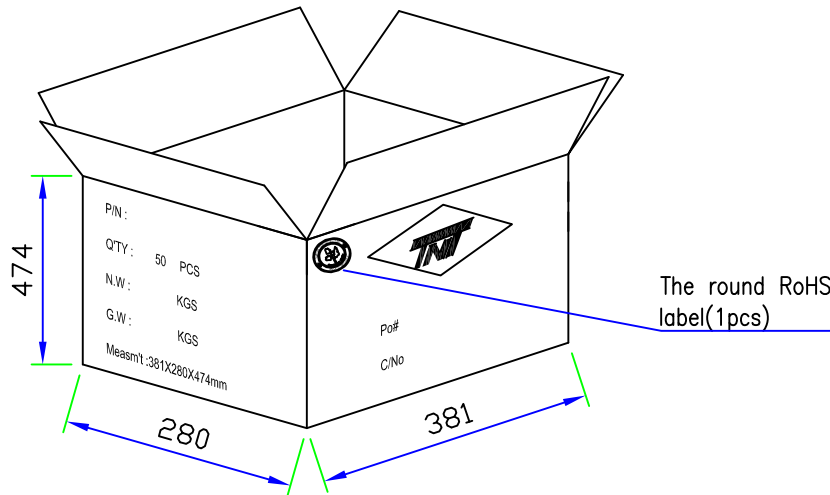
PCB标签
 标签尺寸: 15x8mm
 标签颜色: 绿色
 料号: LAB-E-R03-EXT-RWY-GR-A
 成品料号: R03-EXT-RWY



White Inner Box



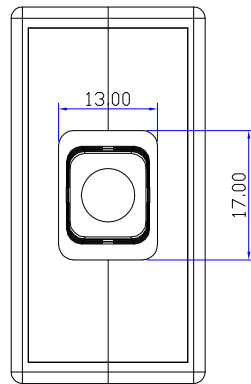
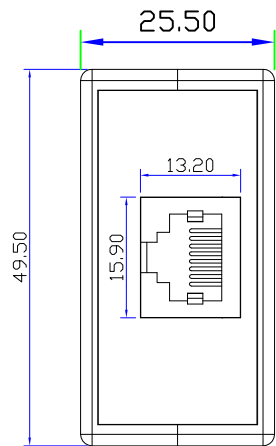
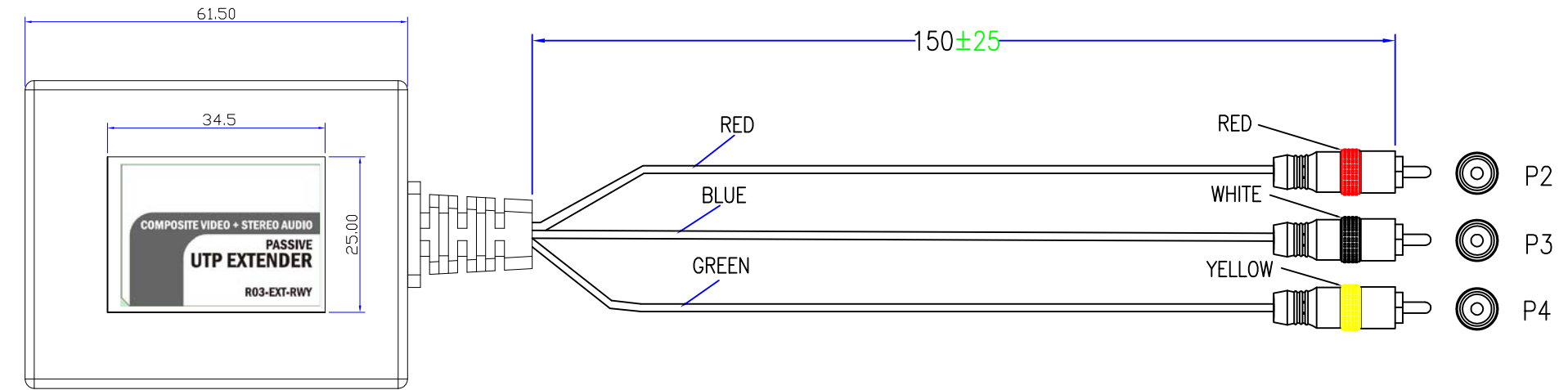
标签-3
 标签尺寸: 90x63mm
 标签颜色: 黑白



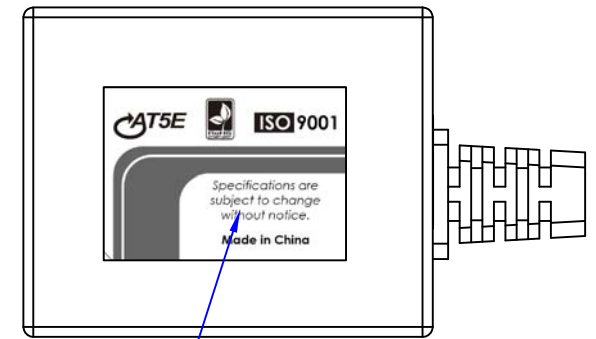
Outer Carton

A	INITIAL RELEASE		02/04/10			
REV	DESCRIPTION OF CHANGE		DATE			
TOLERANCE		M/M		Tri-Net Technology, Inc. http://www.trinetusa.com		
.X	.015	.30	SCALE		NONE	
.XX	.010	.10	UNIT		MM	
.XXX	.005	.05	SHEET	4/4	REV	A
DRAWN BY	starl		DATE	02/04/10	DWG NO.	
CHECK BY			TITLE			
APPD BY			PART NO.			
			PACKING			
			R03-EXT-RWY			





The back of product



Label-2 (BLACK ON GREY)

Features:

- No software or power adapter required for easy installation.
- Works with UTP (Cat5/5e/6) cable.
- Shell color: Black

Applications

- To be used in home or commercial applications as a fast, and cost-effective means of connecting composite video equipment.
- Ideal for classrooms, projectors, convention facilities, and retail displays.

A	INITIAL RELEASE		02/04/10		
REV	DESCRIPTION OF CHANGE		DATE		
TOLERANCE		M/M		Tri-Net Technology, Inc. http://www.trinetusa.com	
.X	.015	.30	SCALE		NONE
.XX	.010	.10	UNIT		MM
.XXX	.005	.05	DATE		REV A
DRAWN BY	start		SHEET	2/4	DWG NO.
CHECK BY			DATE	02/04/10	
APPD BY			TITLE		
			COMPONENT VIDEO(RWY)		
			PART NO.		
			R03-EXT-RWY		

