

Features:

- No software or power adapter required for easy installation.
- Works with UTP (Cat5/5e/6) cable.
- Shell color: Black

Applications

- To be used in home or commercial applications as a fast, and cost-effective means of connecting composite video equipment.
- Ideal for classrooms, projectors, convention facilities, and retail displays.

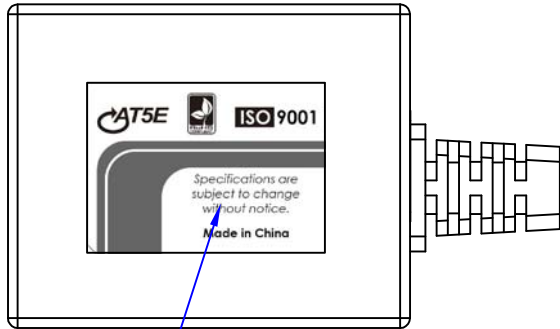
Description:

The perfect solution for connecting composite video devices using UTP(Cat5/5e/6) cable, this Composite Video UTP Extender lets you extend signals up to 300ft./100m. R03-EXT-RWY is comprised of two extender units that can be used interchangeably: one is installed near the video signal source, the other to be placed near the desired display, up to an impressive 300ft./100m away. With no software or power adapter required, installation and setup is quick and hassle-free.

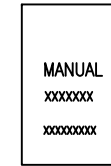
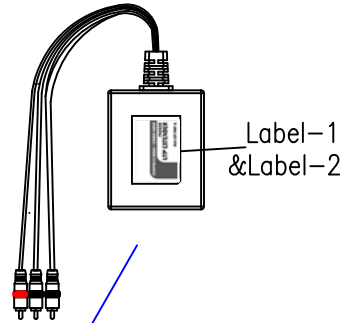


A	INITIAL RELEASE		02/04/10		
REV	DESCRIPTION OF CHANGE		DATE		
TOLERANCE		M/M		Tri-Net Technology, Inc. http://www.trinetusa.com	
.X	.015	.30	SCALE		NONE
.XX	.010	.10	UNIT		MM
.XXX	.005	.05	SHEET	1/3	REV A
DRAWN BY	starl		DATE	02/04/10	DWG NO.
CHECK BY			TITLE COMPONENT VIDEO(RWY)		
APPD BY			PART NO. R03-EXT-RWY-S		

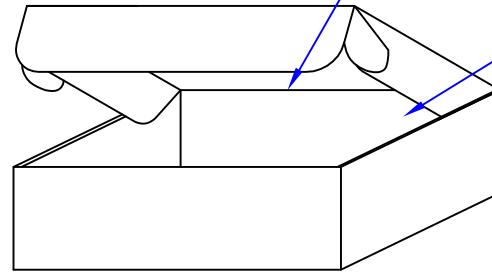
The back of product



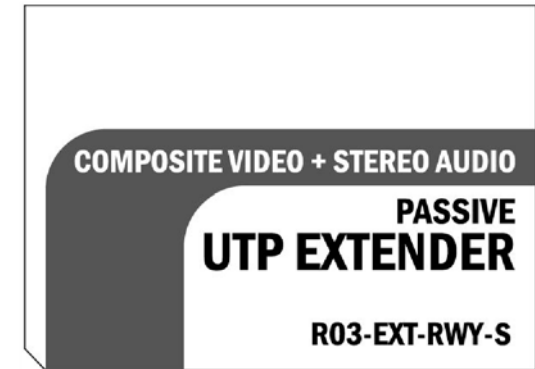
Label-2 (BLACK ON GREY)



Owner's Manual
(1pcs)



White Inner Box
(1pcs)



Label-1(34.5*25mm)
(BLACK ON GREY)

Packaging Details:

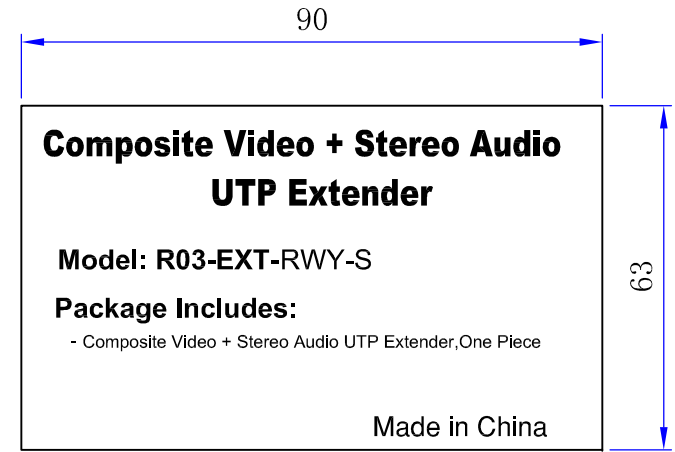
- 1) Stick the label-1 onto the Product's TOP.
Label-2 onto the Product's Bottom.
- 2) Need to put owner's manual and power adapter inside the inner box
- 3) Stick the Label-3 onto this inner box.
- 4) Inner box size: 125(L)X75(W)X29(H)MM
- 5) Outer carton size: 405(L)X370(W)X185(H)MM
- 6) Put 50pcs of inner boxes into an outer carton.

A	INITIAL RELEASE		02/04/10	
REV	DESCRIPTION OF CHANGE		DATE	
TOLERANCE			Tri-Net Technology, Inc.	
INCHES			M/M	
.X	.015	.30	http://www.trinetusa.com	
.XX	.010	.10	SCALE	NONE
.XXX	.005	.05	UNIT	MM
DRAWN BY	starl	SHEET	2/3	DWG NO.
		DATE	02/04/10	
CHECK BY		TITLE		
		PACKING-1		
APPD BY		PART NO.		
		R03-EXT-RWY-S		

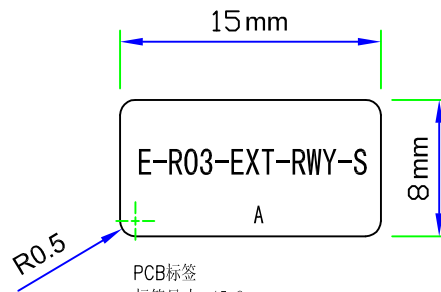




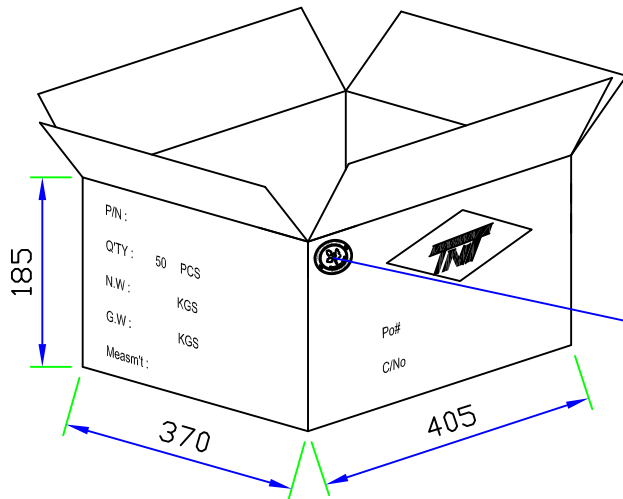
Label-2(34.5*25mm)
(BLACK ON GREY)



LABEL-3 90*63MM

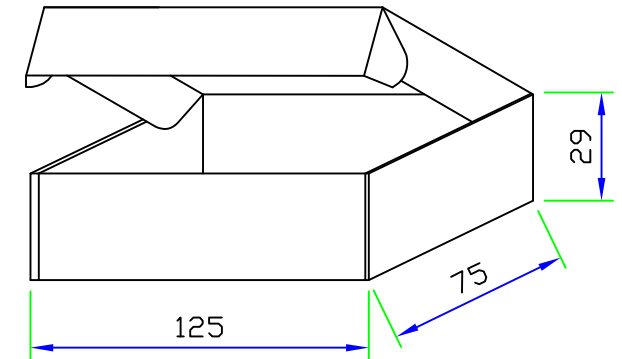


PCB标签
 标签尺寸: 15x8mm
 标签颜色: 绿色
 料号: LAB-E-R03-EXT-RWY-S-GR-A
 成品料号: R03-EXT-RWY-S



Outer Carton

The round RoHS label(1pcs)



White Inner Box

A	INITIAL RELEASE				02/04/10	
REV	DESCRIPTION OF CHANGE				DATE	
TOLERANCE		M/M		Tri-Net Technology, Inc. http://www.trinetusa.com		
.X	.015	.30	SCALE			NONE
.XX	.010	.10	UNIT			MM
.XXX	.005	.05	SHEET	3/3	DWG NO.	
DRAWN BY	starl		DATE	02/04/10		
CHECK BY			TITLE			
APPD BY			PART NO.			
			PACKING-2			
			R03-EXT-RWY-S			

