

Features:

- No software or power adapter required for easy installation.
- Support up HDTV (.480p)
- Works with UTP (Cat5/5e/6) cable.
- Shell color: Black

Applications

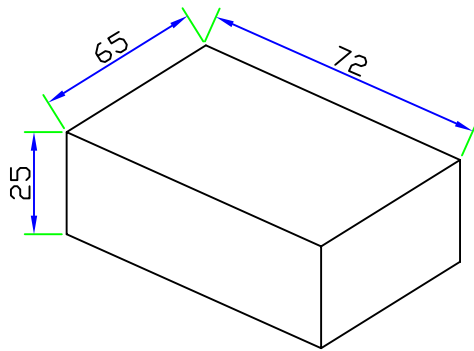
- To be used in home or commercial applications as a fast, and cost-effective means of connecting composite video equipment.
- Ideal for classrooms, projectors, convention facilities, and retail displays.

Description:

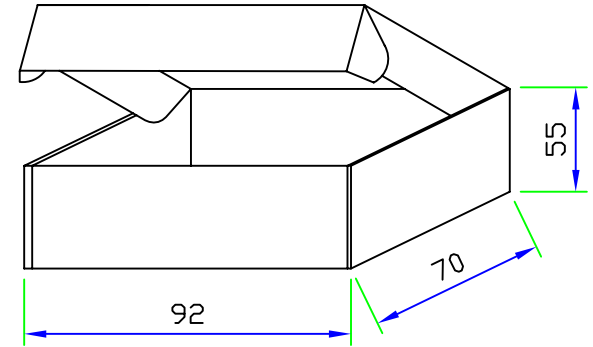
The perfect solution for connecting composite video devices using UTP(Cat5/5e/6) cable, this Composite Video UTP Extender lets you extend signals up to 300ft./100m. With no software or power adapter required, installation and setup is quick and hassle-free.

A	INITIAL RELEASE		02/21/11	
REV	DESCRIPTION OF CHANGE		DATE	
TOLERANCE		M/M		 Tri-Net Technology, Inc. <a href="http://www.trinetusa.com">http://www.trinetusa.com</a>
INCHES				
.X	.015	.30		
.XX	.010	.10		SCALE NONE
.XXX	.005	.05		UNIT MM
DRAWN BY		JON		REV A
CHECK BY		TITLE		COMPOSITE VIDEO(RWY),ONE PIECE
APPD BY		PART NO.		R03-EXT-RWY-BX-S



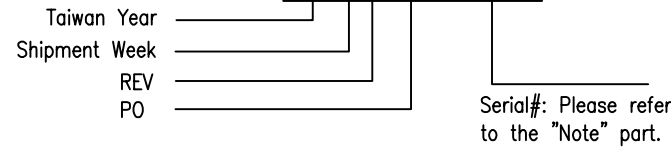
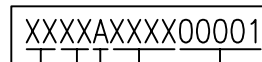


EPE 珍珠棉

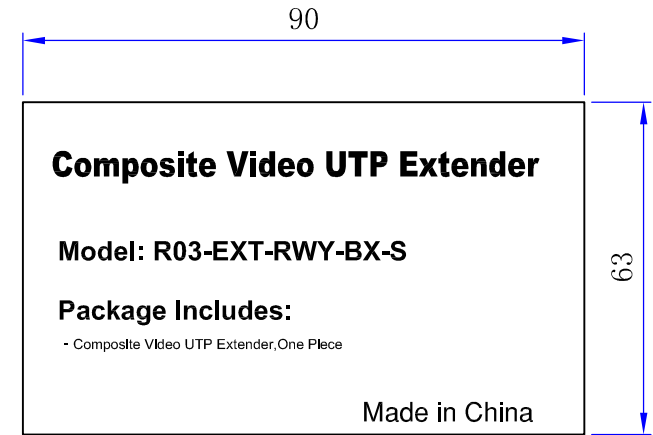


White Inner Box

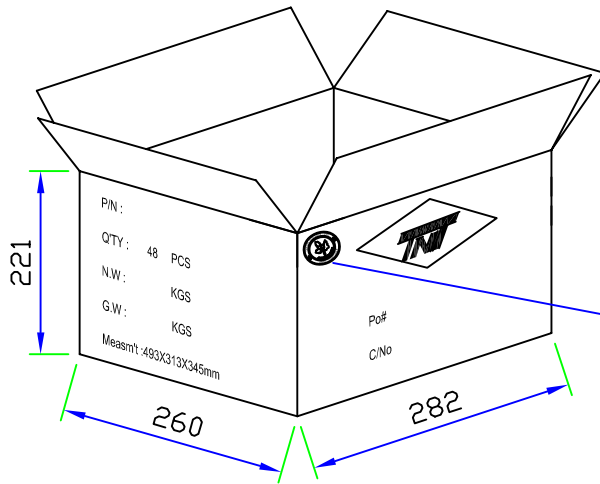
Version Label



Label-4  
(18x6, Black on White)



标签-3  
标签尺寸: 90x63mm  
标签颜色: 黑白

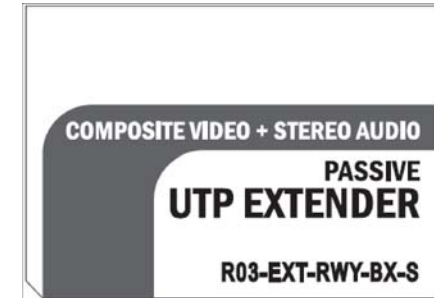
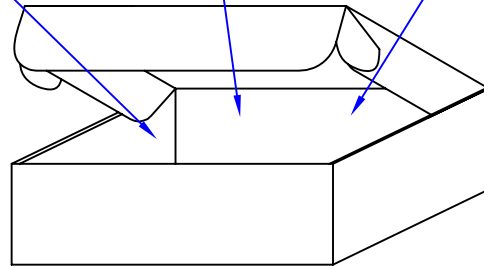
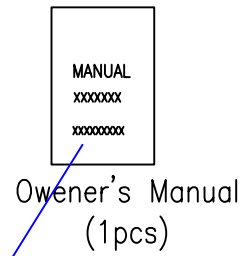
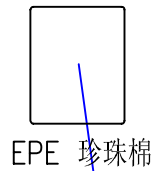
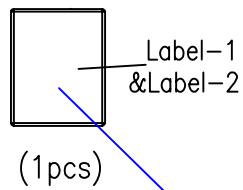


Outer Carton

The round RoHS label(1pcs)

A	INITIAL RELEASE		02/21/11	
REV	DESCRIPTION OF CHANGE		DATE	
TOLERANCE		Tri-Net Technology, Inc.		
INCHES		M/M		
.X	.015	.30	http://www.trinetusa.com	
.XX	.010	.10	SCALE	NONE
.XXX	.005	.05	UNIT	MM
DRAWN BY		JON	SHEET	3/3
CHECK BY			DATE	02/21/11
APPD BY			TITLE	COMPOSITE VIDEO(RWY),ONE PIECE
			PART NO.	R03-EXT-RWY-BX-S





Label-1(34.5\*25mm)  
(BLACK ON GREY)



Label-2(34.5\*25mm)  
(BLACK ON GREY)

Packaging Details:

- 1) Stick the label-1 onto the Product's TOP.  
Label-2, Label-4 onto the Product's Bottom.
- 2) Need to put owner's manual inside the inner box
- 3) Stick the Label-3 onto this inner box.
- 4) Finally, pack the whole item using pyrocondensation film.
- 5) Inner box size: 92(L)X70(W)X55(H)MM
- 6) Outer carton size: 282(L)X260(W)X221(H)MM
- 7) Put 36pcs of inner boxes into an outer carton.

A	INITIAL RELEASE		02/21/11	
REV	DESCRIPTION OF CHANGE		DATE	
TOLERANCE		TNT Tri-Net Technology, Inc. http://www.trinetusa.com		
INCHES		M/M	SCALE	NONE
.X	.015	.30	UNIT	MM
.XX	.010	.10	SHEET	2/3
.XXX	.005	.05	DATE	02/21/11
DRAWN BY	JON		DWG NO.	REV A
CHECK BY	TITLE		COMPOSITE VIDEO(RWY),ONE PIECE	
APPD BY	PART NO.		R03-EXT-RWY-BX-S	

