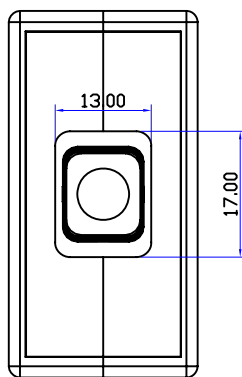
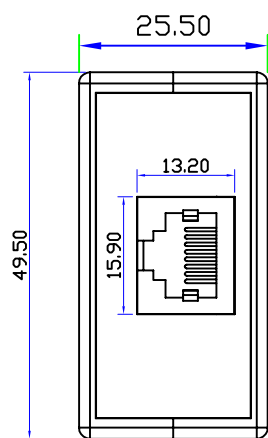
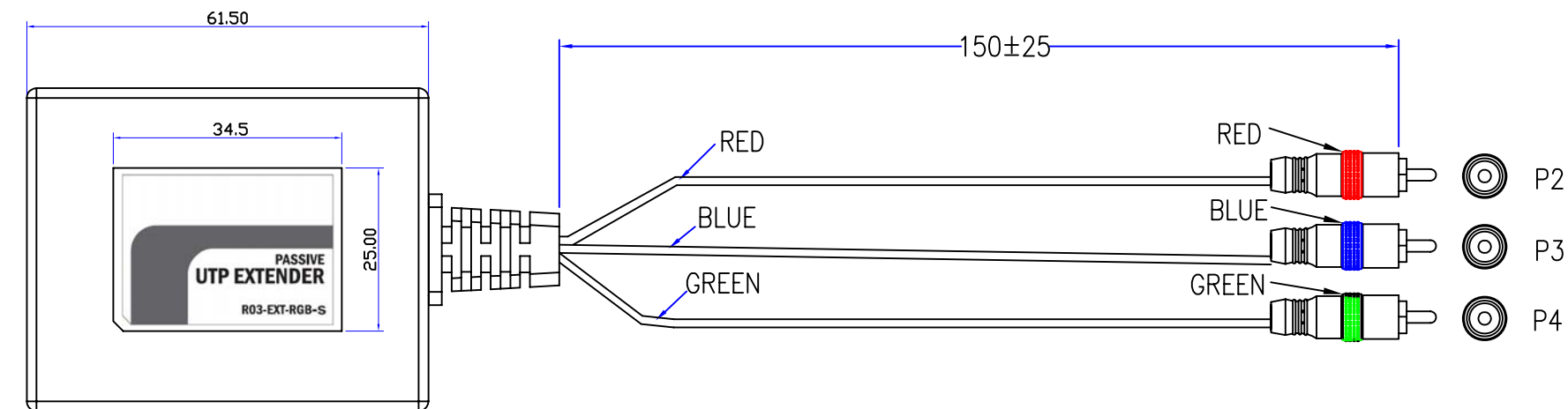


CUSTOMER: TNTUSA



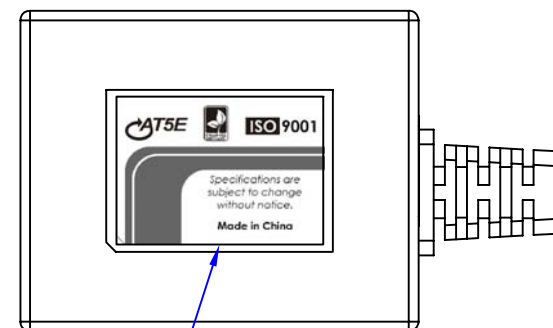
**Features:**

- No software or power adapter required for easy installation.
- Support up HDTV (.480p/720p/1080i)
- Works with UTP (Cat5/5e/6) cable.
- Shell color: Black

**Applications**

- To be used in home or commercial applications as a fast, and cost-effective means of connecting composite video equipment.
- Ideal for classrooms, projectors, convention facilities, and retail displays.

The back of product



Label-2 (BLACK ON GREY)

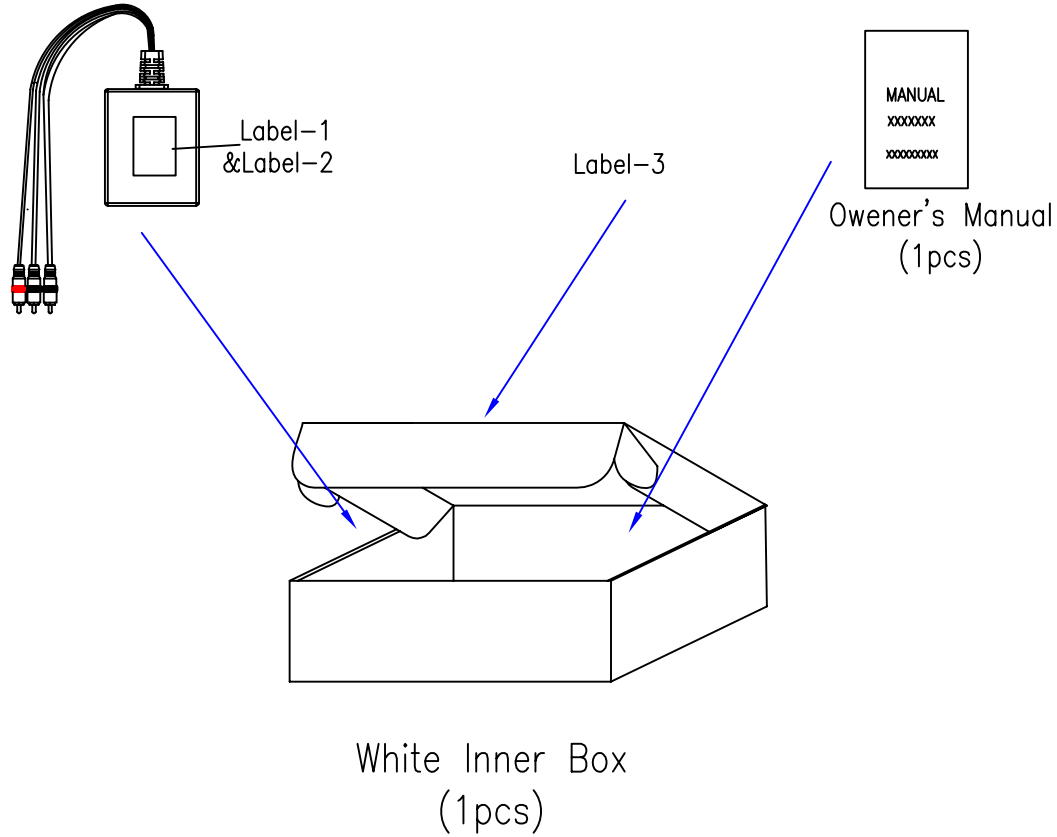
**Description:**

The perfect solution for connecting component video devices using UTP(Cat5/5e/6) cable, this Component Video (YPbPr) UTP Extender lets you extend signals up to 300ft./100m. With no software or power adapter required, installation and setup is quick and hassle-free.

A	INITIAL RELEASE		02/25/10		
REV	DESCRIPTION OF CHANGE		DATE		
TOLERANCE		M/M		Tri-Net Technology, Inc. <a href="http://www.trinetusa.com">http://www.trinetusa.com</a>	
.X	.015	.30	SCALE		NONE
.XX	.010	.10	UNIT		MM
.XXX	.005	.05	SHEET		1/3
DRAWN BY	starl		DATE	02/25/10	
CHECK BY			TITLE		
APPD BY			PART NO.		
			COMPONENT VIDEO(RGB),ONE PIECE		
			R03-EXT-RGB-S		



CUSTOMER: TNTUSA



Label-1(34.5\*25mm)  
(BLACK ON GREY)

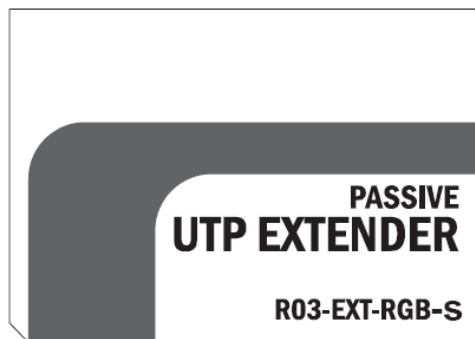
**Packaging Details:**

- 1) Stick the label-1 onto the Product's TOP.  
Label-2, Label-4 onto the Product's Bottom.
- 2) Need to put owner's manual and power adapter inside the inner box
- 3) Stick the Label-3 onto this inner box.
- 4) Inner box size: 125(L)X75(W)X29(H)MM
- 5) Outer carton size: 405(L)X370(W)X185(H)MM
- 6) Put 60pcs of inner boxes into an outer carton.

A	INITIAL RELEASE		02/25/10	
REV	DESCRIPTION OF CHANGE		DATE	
TOLERANCE		M/M		Tri-Net Technology, Inc. <a href="http://www.trinetusa.com">http://www.trinetusa.com</a>
INCHES				
.X	.015	.30		
.XX	.010	.10		SCALE NONE
.XXX	.005	.05		UNIT MM
DRAWN BY		startl		REV A SHEET 2/3 DWG NO. DATE 02/25/10
CHECK BY		TITLE		
APPD BY		PART NO.		COMPONENT VIDEO(RGB),ONE PIECE
		R03-EXT-RGB-S		

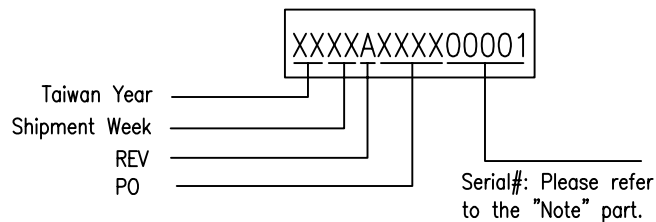


CUSTOMER: TNTUSA

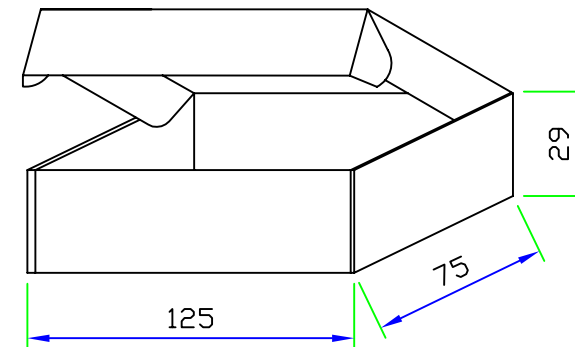


Label-2(34.5\*25mm)  
(BLACK ON GREY)

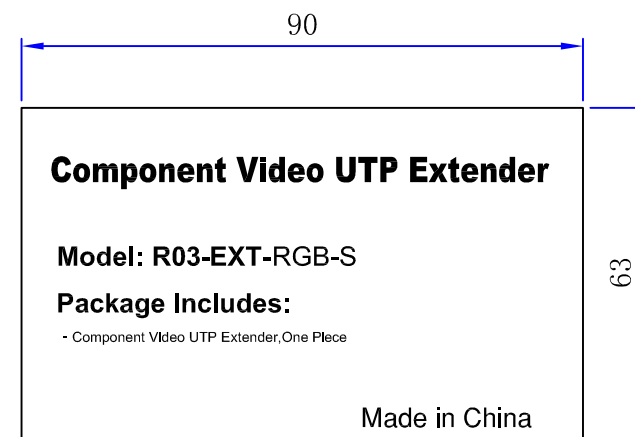
Version Label (Label-4)



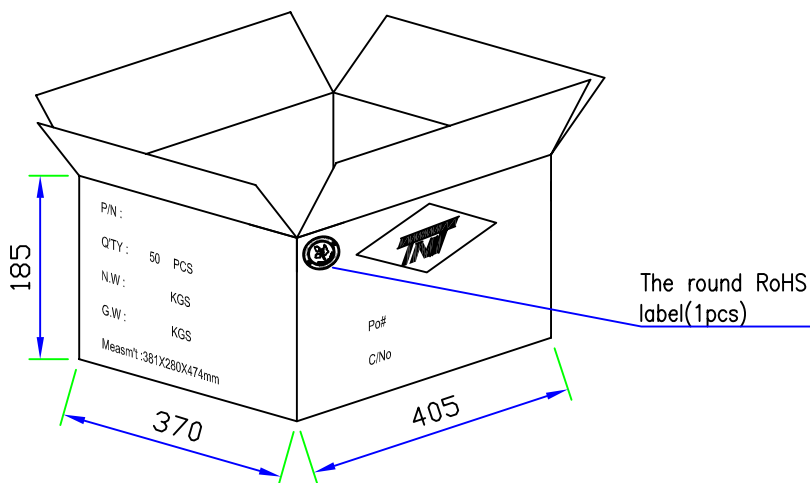
(18x6, Black on White)



White Inner Box



标签-3  
标签尺寸: 90x63mm  
标签颜色: 黑白



Outer Carton

A	INITIAL RELEASE		02/25/10	
REV	DESCRIPTION OF CHANGE		DATE	
TOLERANCE		M/M		Tri-Net Technology, Inc. <a href="http://www.trinetusa.com">http://www.trinetusa.com</a>
.X	.015	.30		
.XX	.010	.10		
.XXX	.005	.05		SCALE NONE UNIT MM SHEET 3/3 DATE 02/25/10
DRAWN BY	starl		DWG NO.	
CHECK BY			TITLE	
APPD BY			PART NO.	
			COMPONENT VIDEO(RGB),ONE PIECE	
			R03-EXT-RGB-S	

