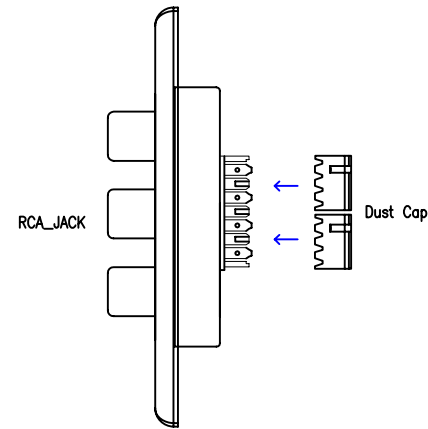
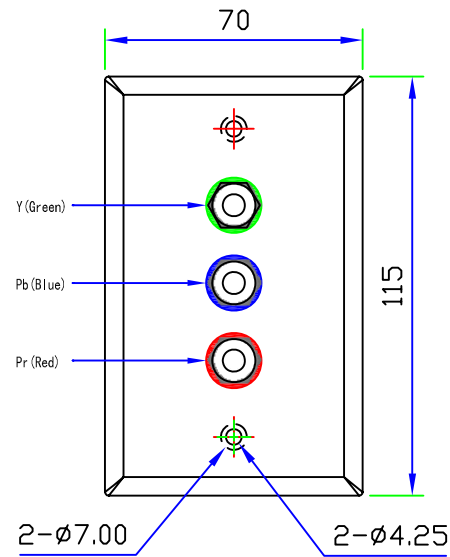


CUSTOMER: TNTUSA



Description:

The perfect solution for connecting component video devices using UTP(Cat5/5e/6) cable, this Component Video (YPbPr) UTP Extender lets you extend signals up to 300ft./100m. With no software or power adapter required, installation and setup is quick and hassle-free.

Features:

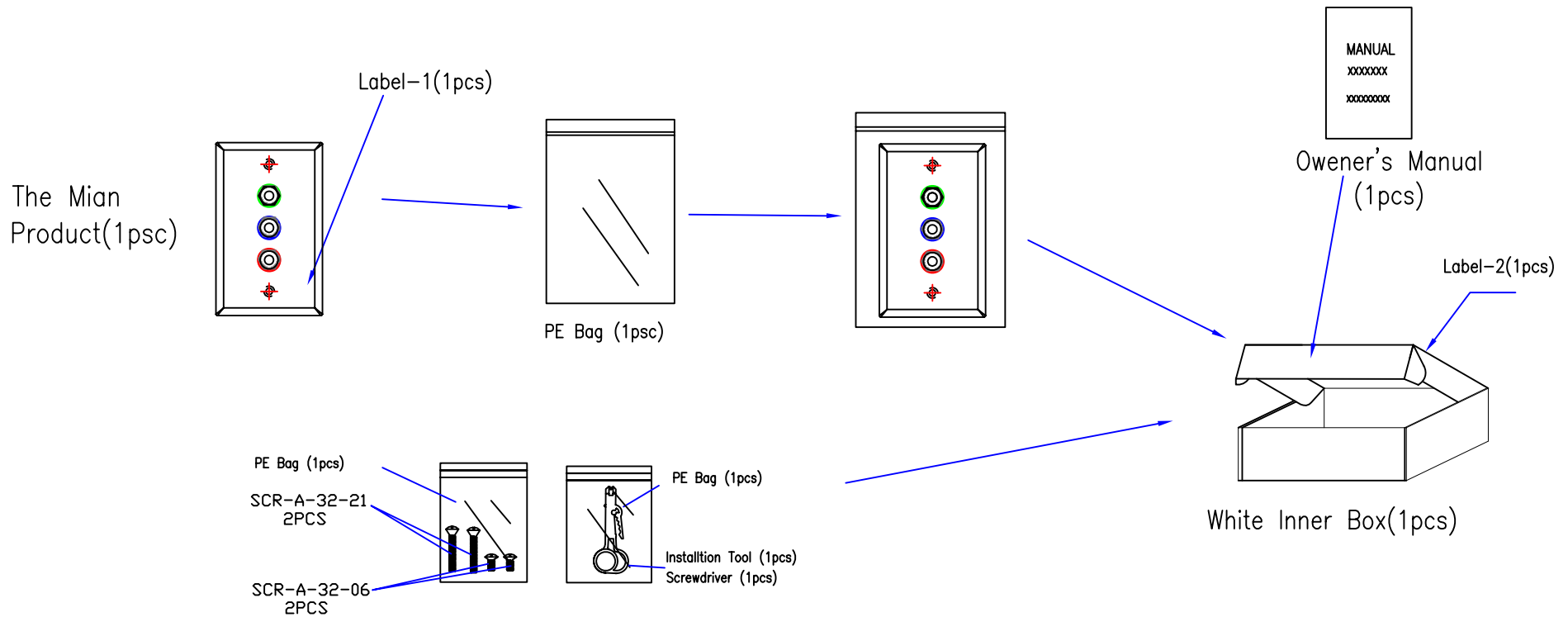
- No software or power adapter required for easy installation.
- Support up HDTV .(480p/720p/1080i)
- Works with UTP (Cat5/5e/6) cable.
- Shell color: White

Applications

- To be used in home or commercial applications as a fast, and cost-effective means of connecting composite video equipment.
- Ideal for classrooms, projectors, convention facilities, and retail displays.

A	INITIAL RELEASE		12/10/09		
REV	DESCRIPTION OF CHANGE		DATE		
TOLERANCE		M/M		Tri-Net Technology, Inc. http://www.trinetusa.com	
.X	.015	.30	SCALE		NONE
.XX	.010	.10	UNIT		MM
.XXX	.005	.05	SHEET	1/3	DWG NO.
DRAWN BY	starl		DATE	12/10/09	
CHECK BY			TITLE		
APPD BY			COMPONENT VIDEO (RGB),ONE PIECE		
			PART NO. R03-EXT-RGB-FP-S		





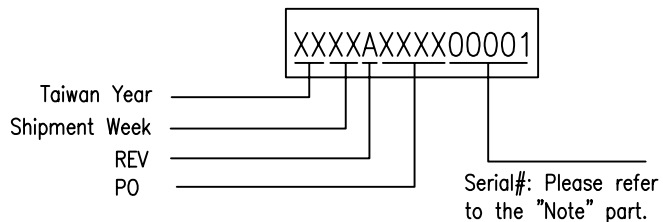
Packaging Details:

- 1) Stick the Label-1 onto the Product's Bottom.
- 2) Put the whole item, the Installation Tool, the enclosed 4pcs of screws (packing with a small PE bag) and owner's manual inside the inner box
- 3) Stick the Label-2 onto this inner box.
- 4) Finally, pack the whole item using pyrocondensation film.
- 5) Inner box size: 125MM (L) X 75MM (W) X 29MM(H)
- 6) Outer carton size: 405MM (L) X 370MM (W) X 185MM (H)
- 7) Put 60pcs of inner boxes into an outer carton. Need to put 4pcs of Overpack Labels onto the main/side marks portion of the outer carton.

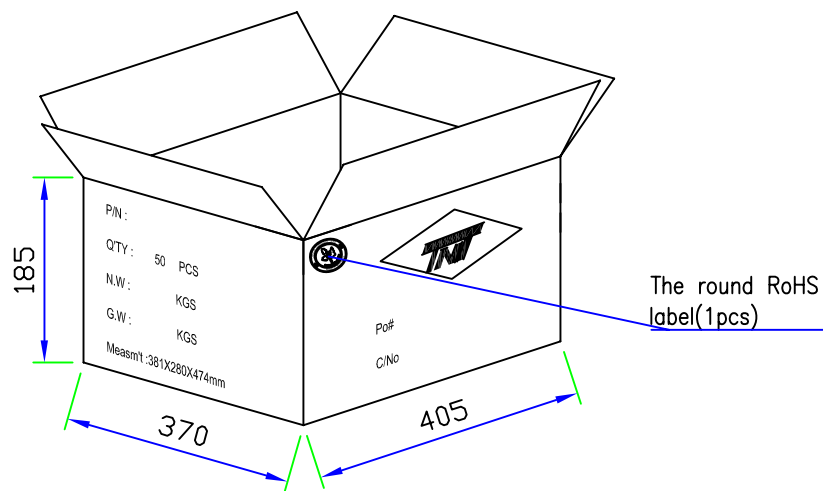
A	INITIAL RELEASE		01/18/10	
REV	DESCRIPTION OF CHANGE		DATE	
TOLERANCE INCHES		M/M	Tri-Net Technology, Inc. http://www.trinetusa.com	
.X	.015	.30	SCALE	NONE
.XX	.010	.10	UNIT	MM
.XXX	.005	.05	SHEET	2/3
DRAWN BY		starl	DATE	01/18/10
CHECK BY		TITLE		
APPD BY		COMPONENT VIDEO (RGB), ONE PIECE		
		PART NO. R03-EXT-RGB-FP-S		



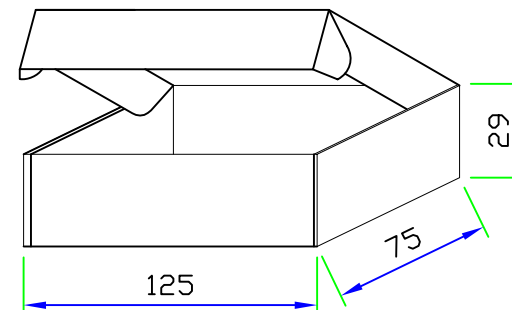
Version Label (Label-1)



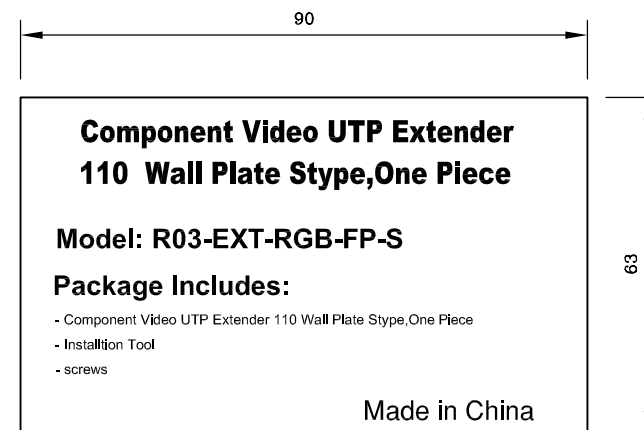
(18x6, Black on White)



Outer Carton



White Inner Box



标签-2
标签尺寸: 90x63mm
标签颜色: 黑白

A	INITIAL RELEASE		01/18/10	
REV	DESCRIPTION OF CHANGE		DATE	
TOLERANCE INCHES		M/M	Tri-Net Technology, Inc. http://www.trinetusa.com	
.X	.015	.30	SCALE	NONE
.XX	.010	.10	UNIT	MM
.XXX	.005	.05	SHEET	3/3
DRAWN BY	starl		DATE	01/18/10
CHECK BY			TITLE	COMPONENT VIDEO (RGB), ONE PIECE
APPD BY			PART NO.	R03-EXT-RGB-FP-S

