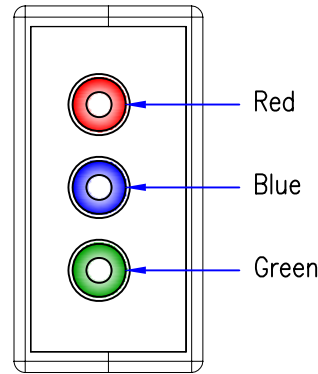
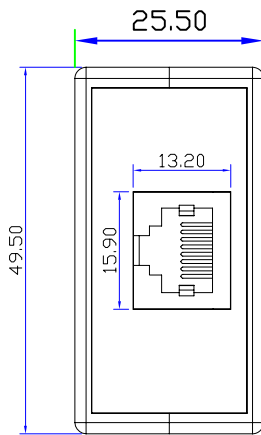
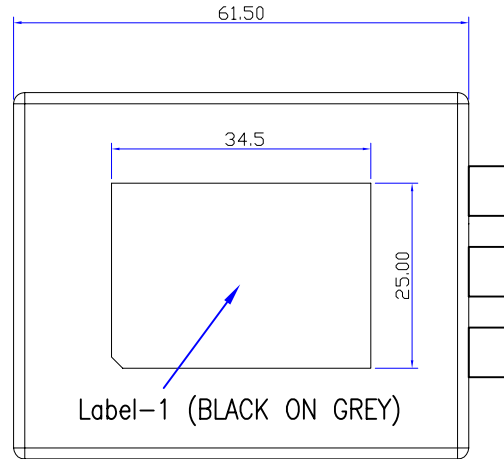
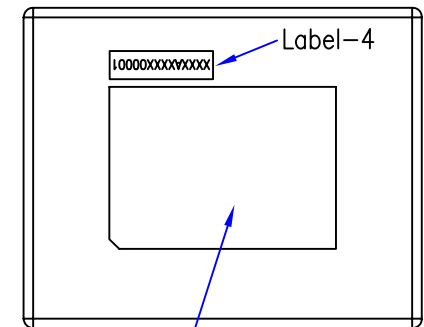


CUSTOMER: TNTUSA



The back of product



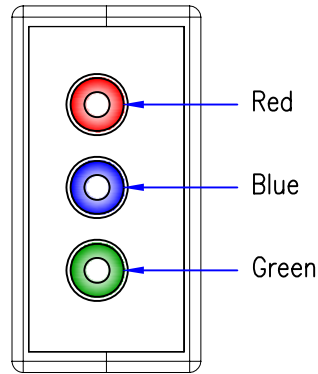
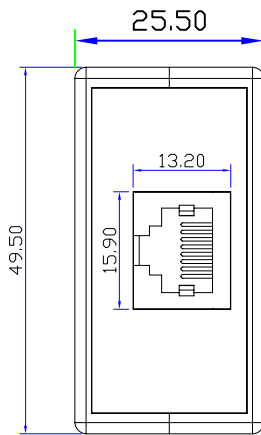
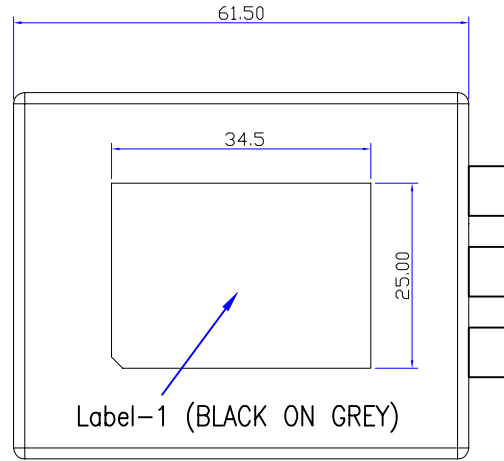
**Description:**

The perfect solution for connecting component video devices using UTP(Cat5/5e/6) cable, this Component Video (YPbPr) UTP Extender lets you extend signals up to 300ft./100m. R03-EXT-RGB-BX is comprised of two extender units that can be used interchangeably: one is installed near the video signal source, the other to be placed near the desired display, up to an impressive 300ft./100m away. With no software or power adapter required, installation and setup is quick and hassle-free.

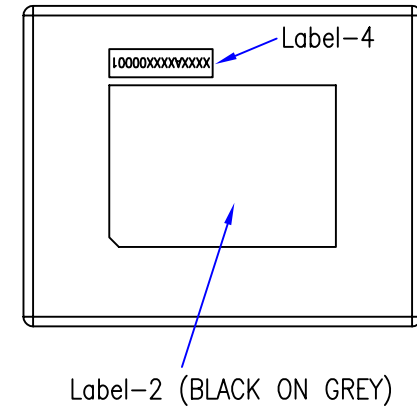
B	ADD PRODUCT LABEL		10/29/10
A	INITIAL RELEASE		07/13/10
REV	DESCRIPTION OF CHANGE		DATE
TOLERANCE		M/M	
INCHES			
.X	.015	.30	Tri-Net Technology, Inc. <a href="http://www.trinetusa.com">http://www.trinetusa.com</a>
.XX	.010	.10	
.XXX	.005	.05	
SCALE	NONE	UNIT	MM
SHEET	1/4	DWG NO.	REV B
DATE	10/29/10	TNT-S101-E0063	
DRAWN BY	LEO		TITLE
CHECK BY			COMPONENT VIDEO(RGB)
APPD BY			PART NO.
		R03-EXT-RGB-BX	



CUSTOMER: TNTUSA



The back of product



Features:

- No software or power adapter required for easy installation.
- Support up HDTV (.480p/720p/1080i)
- Works with UTP (Cat5/5e/6) cable.
- Shell color: Black

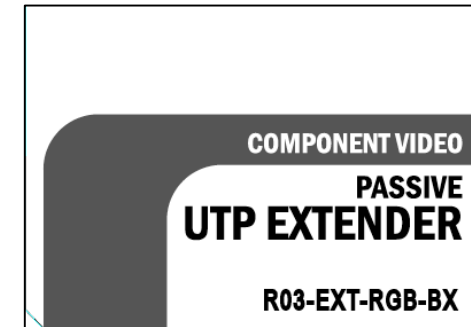
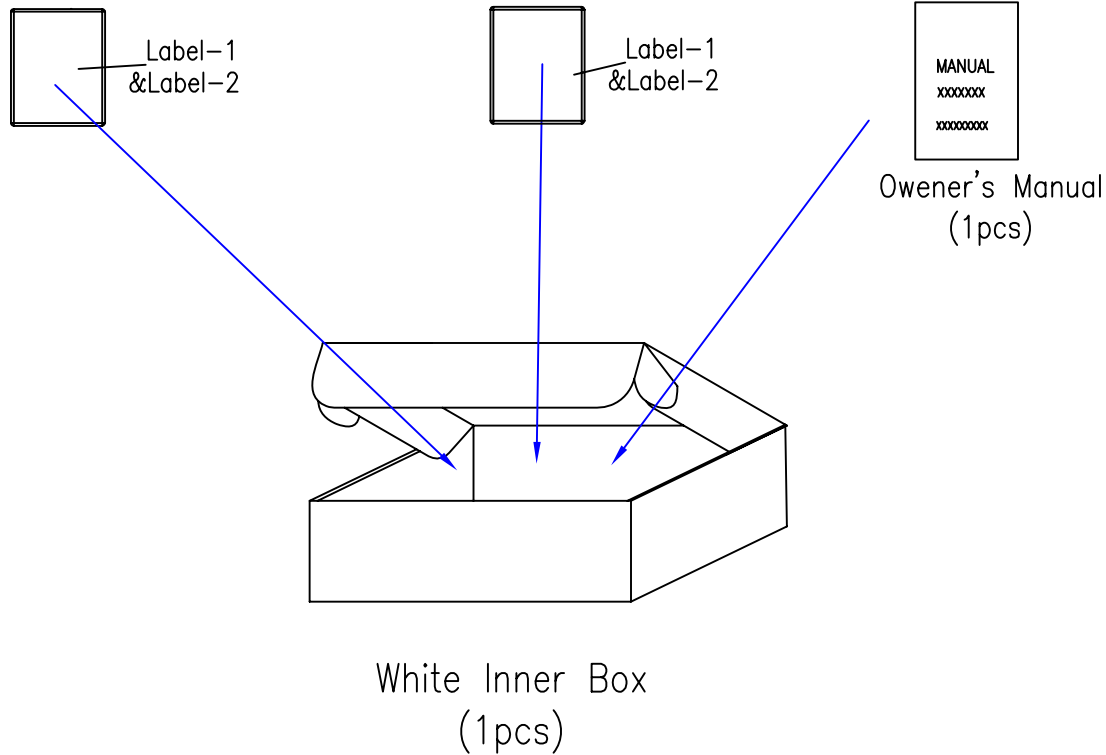
Applications

- To be used in home or commercial applications as a fast, and cost-effective means of connecting composite video equipment.
- Ideal for classrooms, projectors, convention facilities, and retail displays.

B	ADD PRODUCT LABEL		10/29/10
A	INITIAL RELEASE		07/13/10
REV	DESCRIPTION OF CHANGE		DATE
TOLERANCE		M/M	
INCHES			
.X	.015	.30	Tri-Net Technology, Inc. <a href="http://www.trinetusa.com">http://www.trinetusa.com</a>
.XX	.010	.10	
.XXX	.005	.05	
SCALE	NONE		REV B
UNIT	MM		
DRAWN BY	LEO	SHEET 2/4	DWG NO. TNT-S101-E0063
CHECK BY		DATE 10/29/10	TITLE COMPONENT VIDEO(RGB)
APPD BY		PART NO. R03-EXT-RGB-BX	



CUSTOMER: TNTUSA



Label-1(34.5\*25mm)  
(BLACK ON GREY)



Label-2(34.5\*25mm)  
(BLACK ON GREY)

Packaging Details:

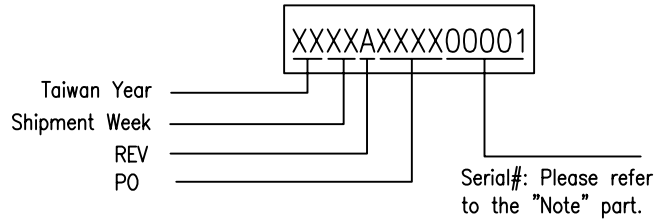
- 1) Stick the label-1 onto the Product's TOP.  
Label-2 onto the Product's Bottom.
- 2) Need to put owner's manual inside the inner box
- 3) Stick the Label-3 onto this inner box.
- 4) Finally, pack the whole item using pyrocondensation film.
- 5) Inner box size: 92(L)X70(W)X55(H)MM
- 6) Outer carton size: 282(L)X260(W)X221(H)MM
- 7) Put 36pcs of inner boxes into an outer carton.

B	ADD PRODUCT LABEL		10/29/10
A	INITIAL RELEASE		07/13/10
REV	DESCRIPTION OF CHANGE		DATE
TOLERANCE		Tri-Net Technology, Inc.	
INCHES		M/M	
.X	.015	.30	Tri-Net Technology, Inc. <a href="http://www.trinetusa.com">http://www.trinetusa.com</a>
.XX	.010	.10	
.XXX	.005	.05	
SCALE	NONE		REV B
UNIT	MM		
DRAWN BY	LEO	SHEET	3/4
		DATE	10/29/10
CHECK BY		DWG NO.	TNT-S101-E0063
		TITLE	COMPONENT VIDEO(RGB)
APPD BY		PART NO.	R03-EXT-RGB-BX

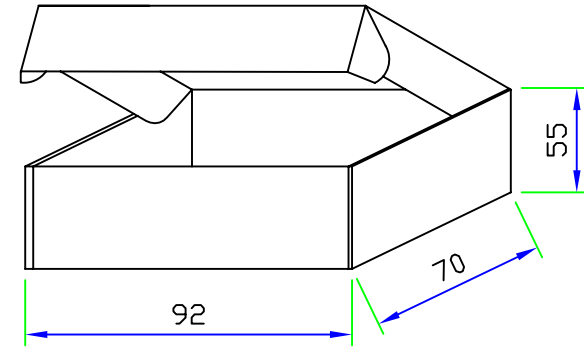


CUSTOMER: TNTUSA

Version Label (Label-4)



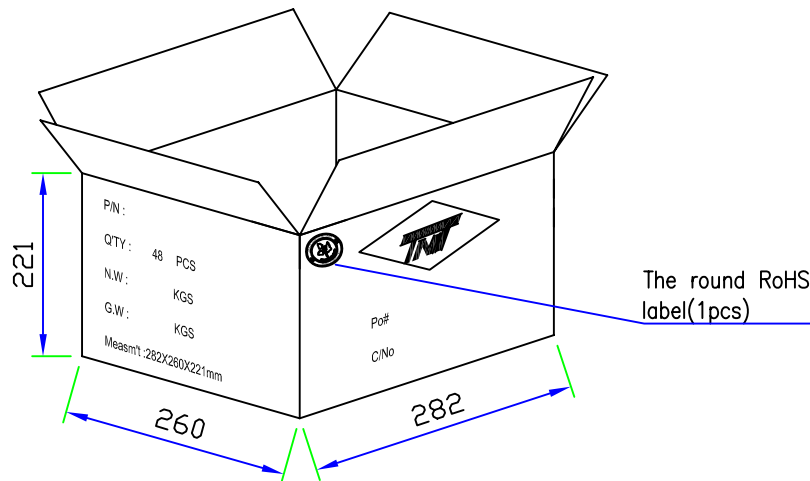
(18x6, Black on White)



White Inner Box



标签-3  
 标签尺寸: 76x45mm  
 标签颜色: 黑白



Outer Carton

B	ADD PRODUCT LABEL		10/29/10
A	INITIAL RELEASE		07/13/10
REV	DESCRIPTION OF CHANGE		DATE
TOLERANCE		M/M	Tri-Net Technology, Inc. <a href="http://www.trinetusa.com">http://www.trinetusa.com</a>
INCHES			
.X	.015	.30	
.XX	.010	.10	
.XXX	.005	.05	SCALE NONE UNIT MM SHEET 4/4 DATE 10/29/10 DWG NO. TNT-S101-E0063
DRAWN BY	LEO	REV B	
CHECK BY	TITLE COMPONENT VIDEO(RGB)		
APPD BY	PART NO. R03-EXT-RGB-BX		

