

Features:


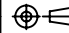
- No software or power adapter required for easy installation.
- Support up HDTV (.480p/720p/1080i)
- Works with UTP (Cat5/5e/6) cable.
- Shell color: Black

Applications

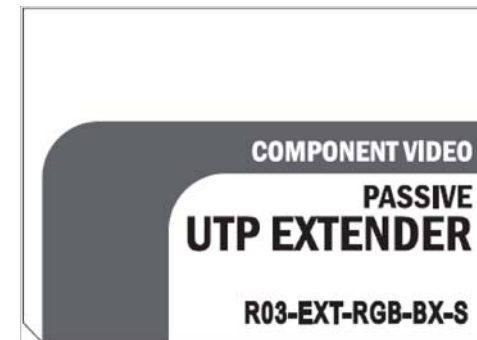
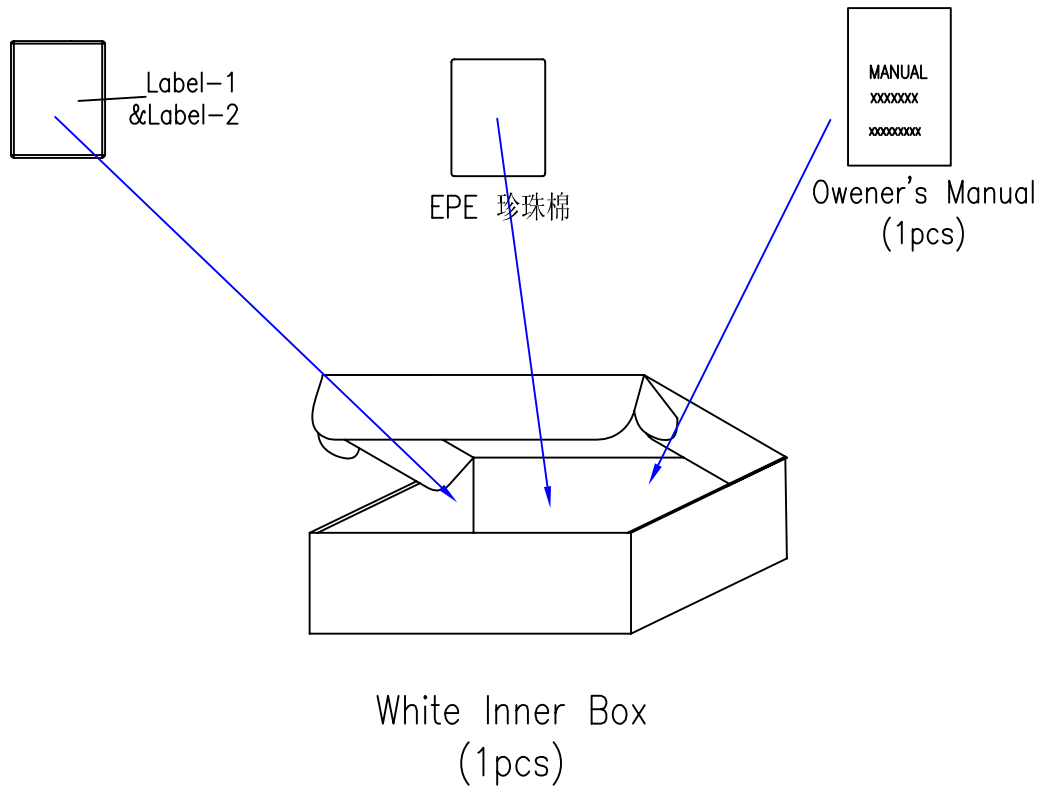
- To be used in home or commercial applications as a fast, and cost-effective means of connecting composite video equipment.
- Ideal for classrooms, projectors, convention facilities, and retail displays.

Description:

The perfect solution for connecting component video devices using UTP(Cat5/5e/6) cable, this Component Video (YPbPr) UTP Extender lets you extend signals up to 300ft./100m. R03-EXT-RGB-BX is comprised of two extender units that can be used interchangeably: one is installed near the video signal source, the other to be placed near the desired display, up to an impressive 300ft./100m away. With no software or power adapter required, installation and setup is quick and hassle-free.

A	INITIAL RELEASE		02/21/11	
REV	DESCRIPTION OF CHANGE		DATE	
TOLERANCE		M/M		 Tri-Net Technology, Inc. http://www.trinetusa.com
INCHES				
.X	.015	.30		
.XX	.010	.10		SCALE NONE
.XXX	.005	.05		UNIT MM
DRAWN BY		JON		 REV A
CHECK BY		TITLE		COMPONENT VIDEO(RGB),ONE PIECE
APPD BY		PART NO.		R03-EXT-RGB-BX-S





Label-1(34.5*25mm)
(BLACK ON GREY)



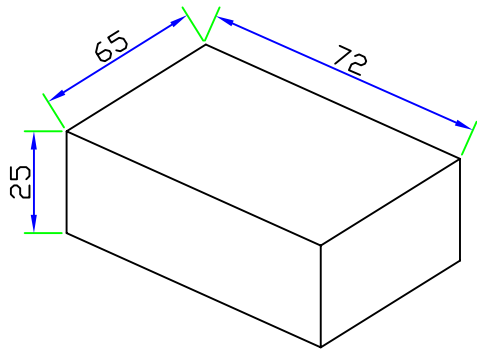
Label-2(34.5*25mm)
(BLACK ON GREY)

Packaging Details:

- 1) Stick the label-1 onto the Product's TOP.
Label-2, Label-4 onto the Product's Bottom.
- 2) Need to put owner's manual and power adapter inside the inner box
- 3) Stick the Label-3 onto this inner box.
- 4) Finally, pack the whole item using pyrocondensation film.
- 5) Inner box size: 92(L)X70(W)X55(H)MM
- 6) Outer carton size: 282(L)X260(W)X221(H)MM
- 7) Put 36pcs of inner boxes into an outer carton.

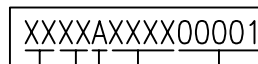
A	INITIAL RELEASE		02/21/11	
REV	DESCRIPTION OF CHANGE		DATE	
TOLERANCE		Tri-Net Technology, Inc.		
INCHES		M/M		
.X	.015	.30	http://www.trinetusa.com	
.XX	.010	.10	SCALE	NONE
.XXX	.005	.05	UNIT	MM
DRAWN BY		JON	SHEET	2/3
CHECK BY			DATE	02/21/11
APPD BY			TITLE	COMPONENT VIDEO(RGB),ONE PIECE
			PART NO.	R03-EXT-RGB-BX-S





EPE 珍珠棉

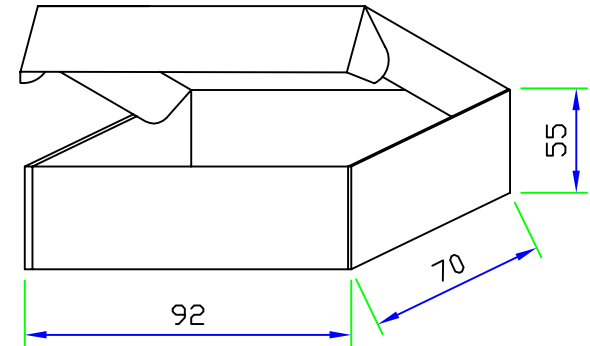
Version Label



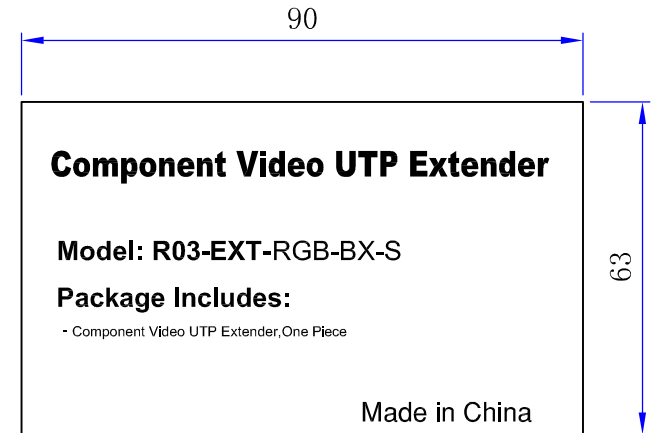
Taiwan Year
Shipment Week
REV
PO

Serial#: Please refer to the "Note" part.

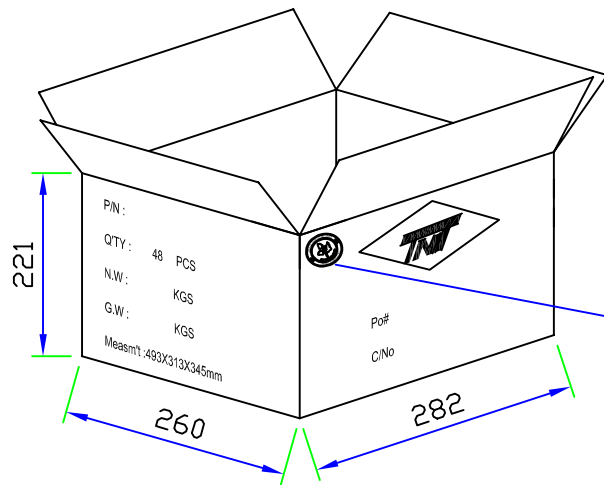
Label-4
(18x6, Black on White)



White Inner Box



标签-3
标签尺寸: 90x63mm
标签颜色: 黑白



Outer Carton

The round RoHS label(1pcs)

A	INITIAL RELEASE		02/21/11	
REV	DESCRIPTION OF CHANGE		DATE	
TOLERANCE		Tri-Net Technology, Inc.		
INCHES		M/M		
.X	.015	.30	http://www.trinetusa.com	
.XX	.010	.10	SCALE	NONE
.XXX	.005	.05	UNIT	MM
DRAWN BY		JON	SHEET	3/3
CHECK BY			DATE	02/21/11
APPD BY			TITLE	COMPONENT VIDEO(RGB),ONE PIECE
			PART NO.	R03-EXT-RGB-BX-S

