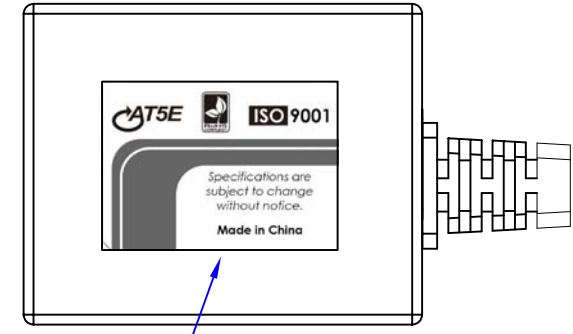


The back of product



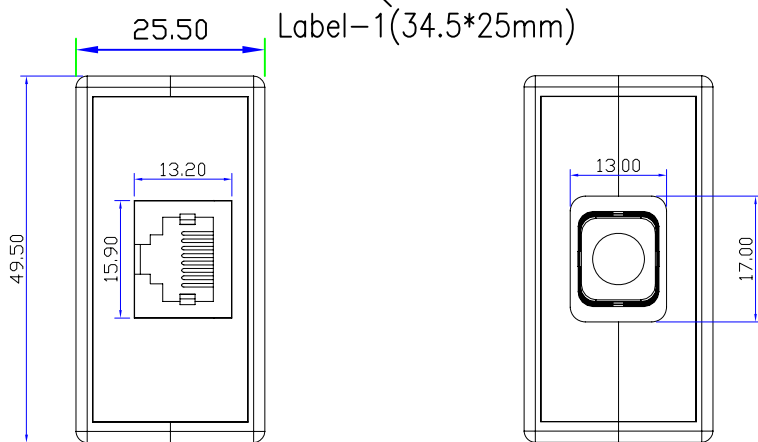
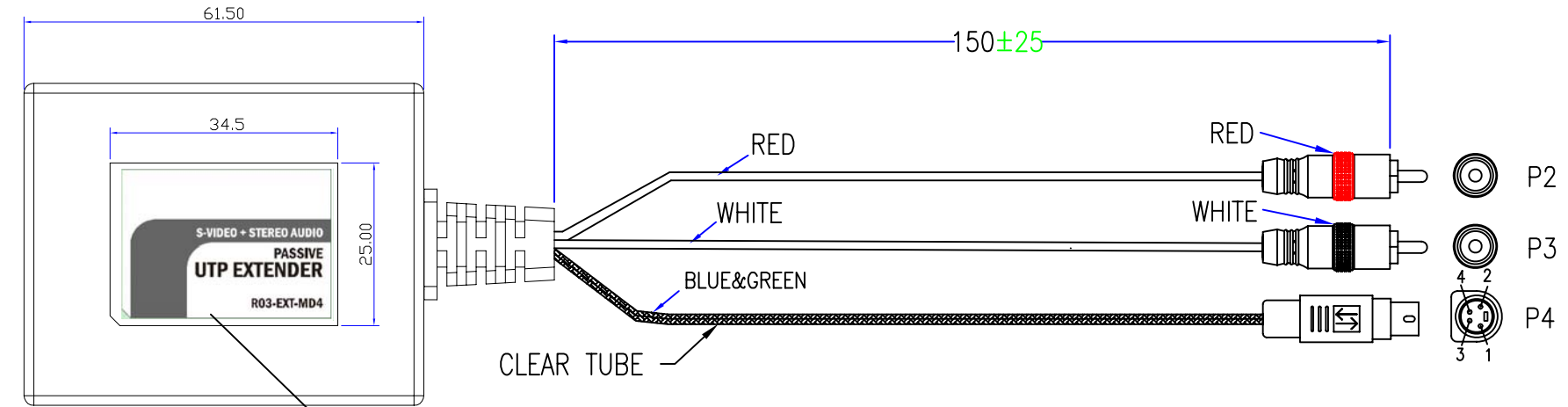
Label-2 (BLACK ON GREY)

Description:

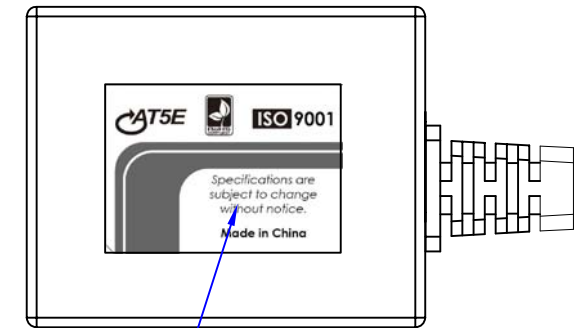
The perfect solution for connecting s-video devices using UTP(Cat5/5e/6) cable, this s-Video UTP Extender lets you extend signals up to 300ft./100m. R03-EXT-MD4-FP is comprised of two extender units that can be used interchangeably: one is installed near the video signal source, the other to be placed near the desired display, up to an impressive 300ft./100m away. With no software or power adapter required, installation and setup is quick and hassle-free.

A	INITIAL RELEASE		02/03/10	
REV	DESCRIPTION OF CHANGE		DATE	
TOLERANCE		M/M		Tri-Net Technology, Inc. http://www.trinetusa.com
INCHES				
.X	.015	.30		
.XX	.010	.10		SCALE NONE
.XXX	.005	.05		UNIT MM
DRAWN BY	starl		SHEET 1/4	DWG NO.
CHECK BY			DATE 02/03/10	TITLE
APPD BY			S-VIDEO+STERE AUDIO(4P MINI DIN+2RCA)	
PART NO.			R03-EXT-MD4	





The back of product



Label-2 (BLACK ON GREY)

Features:

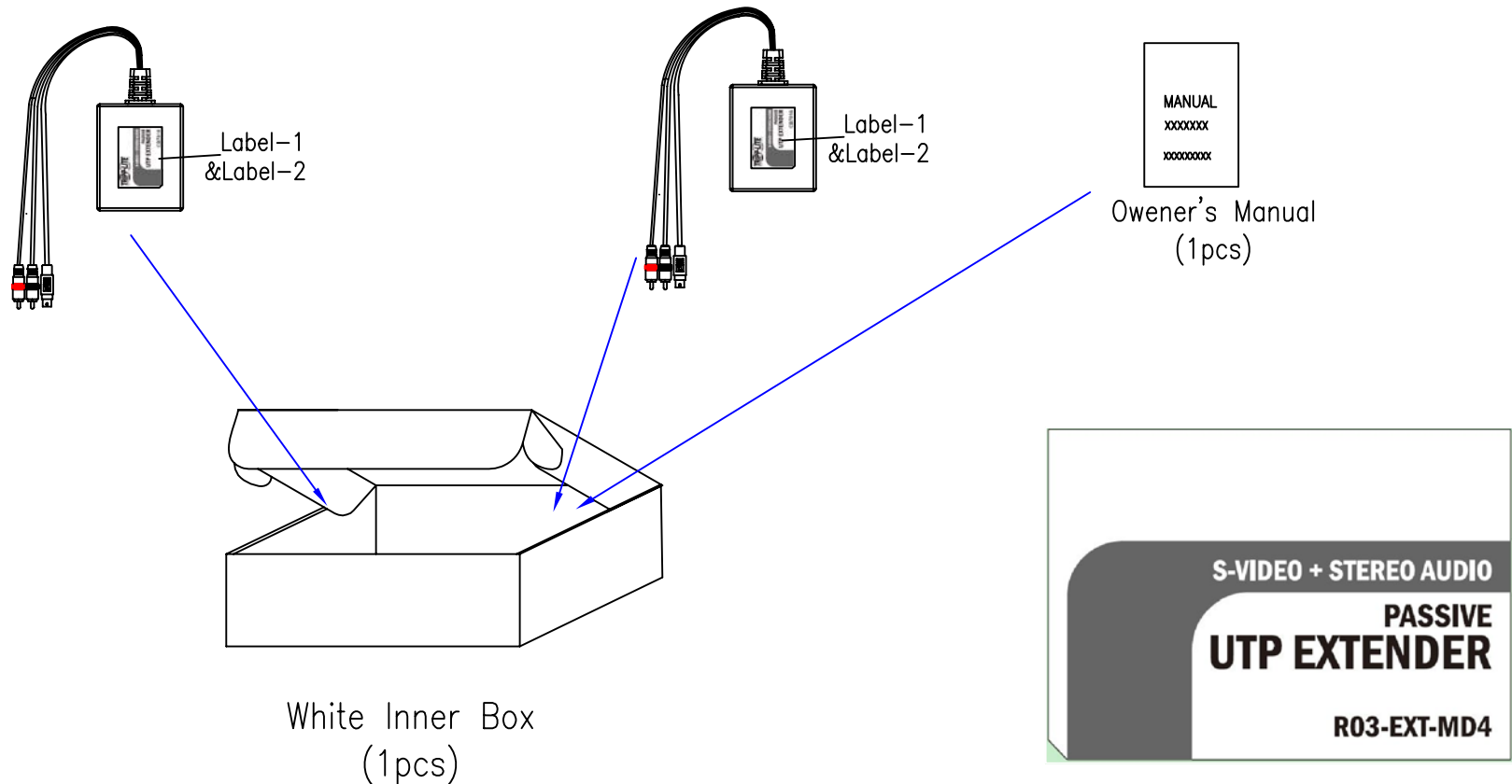
- No software or power adapter required for easy installation.
- Works with UTP (Cat5/5e/6) cable.
- Shell color: Black

Applications

- To be used in home or commercial applications as a fast, and cost-effective means of connecting composite video equipment.
- Ideal for classrooms, projectors, convention facilities, and retail displays.

A	INITIAL RELEASE		02/03/10	
REV	DESCRIPTION OF CHANGE		DATE	
TOLERANCE		M/M		Tri-Net Technology, Inc. http://www.trinetusa.com
INCHES				
.X	.015	.30		
.XX	.010	.10		SCALE NONE
.XXX	.005	.05		UNIT MM
DRAWN BY		starl		REV A
CHECK BY				SHEET 2/4
APPD BY				DATE 02/03/10
		TITLE		DWG NO.
		S-VIDEO+STEREO AUDIO(4P MINI DIN+2RCA)		
		PART NO.		
		R03-EXT-MD4		





White Inner Box
(1pcs)

Owener's Manual
(1pcs)

Label-1(34.5*25mm)
(BLACK ON GREY)

Packaging Details:

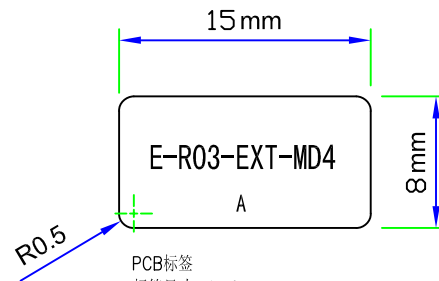
- 1) Stick the label-1 onto the Product's TOP.
Label-2 onto the Product's Bottom.
- 2) Need to put owner's manual and power adapter inside the inner box
- 3) Stick the Label-3 onto this inner box.
- 4) Inner box size: 134(L)X123(W)X41(H)MM
- 5) Outer carton size: 381(L)X280(W)X474(H)MM
- 6) Put 50pcs of inner boxes into an outer carton.

A	INITIAL RELEASE		02/03/10	
REV	DESCRIPTION OF CHANGE		DATE	
TOLERANCE INCHES			M/M	
.X	.015	.30	TNT Tri-Net Technology, Inc. http://www.trinetusa.com	
.XX	.010	.10	SCALE	NONE
.XXX	.005	.05	UNIT	MM
DRAWN BY: starl			SHEET: 3/4	DWG NO.
CHECK BY:			DATE: 02/03/10	REV: A
APPD BY:			TITLE: PACKING-1	
			PART NO.: R03-EXT-MD4	

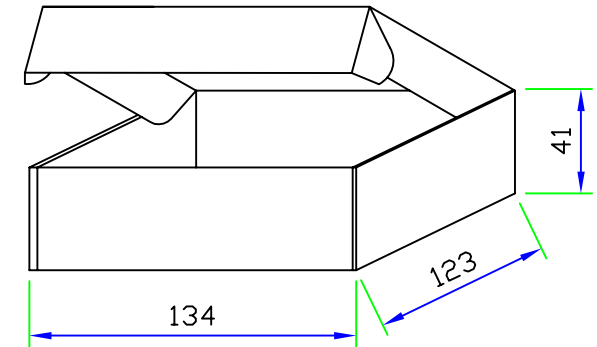




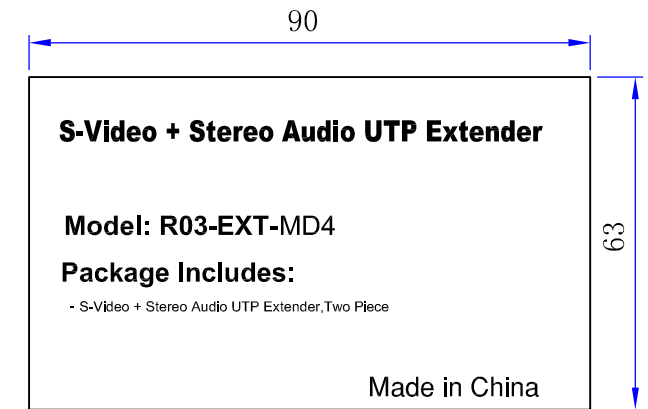
Label-2(34.5*25mm)
(BLACK ON GREY)



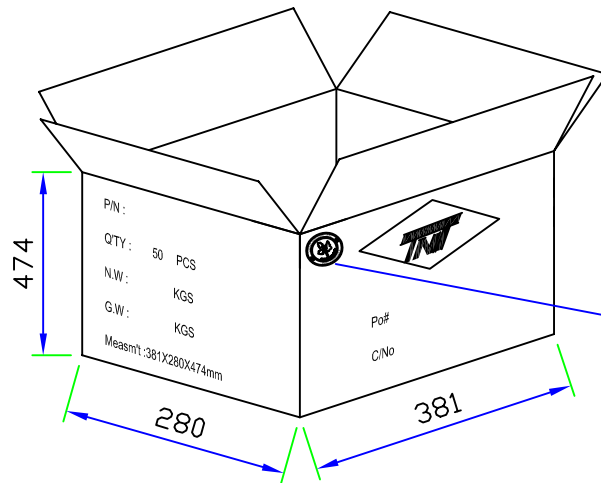
PCB标签
 标签尺寸: 15x8mm
 标签颜色: 棕色
 料号: LAB-E-R03-EXT-MD4-BR-A
 成品料号: R03-EXT-MD4



White Inner Box



LABEL-3 90*63MM



Outer Carton

A	INITIAL RELEASE		02/03/10	
REV	DESCRIPTION OF CHANGE		DATE	
TOLERANCE		Tri-Net Technology, Inc.		
INCHES		M/M	http://www.trinetusa.com	
.X	.015	.30	SCALE	NONE
.XX	.010	.10	UNIT	MM
.XXX	.005	.05	SHEET	4/4
DRAWN BY		startl	DATE	02/03/10
CHECK BY		TITLE		
APPD BY		PART NO. R03-EXT-MD4		
		PACKING-2		

