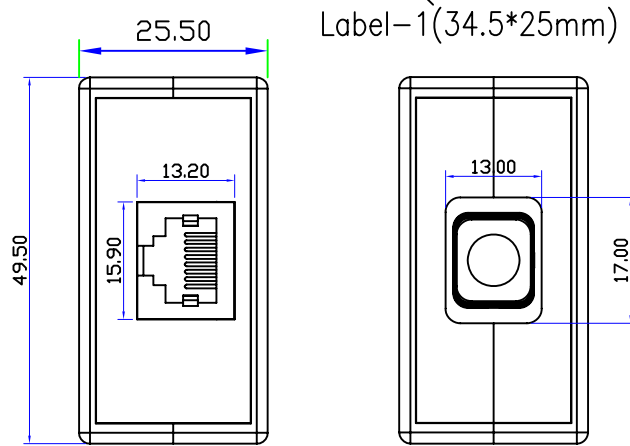
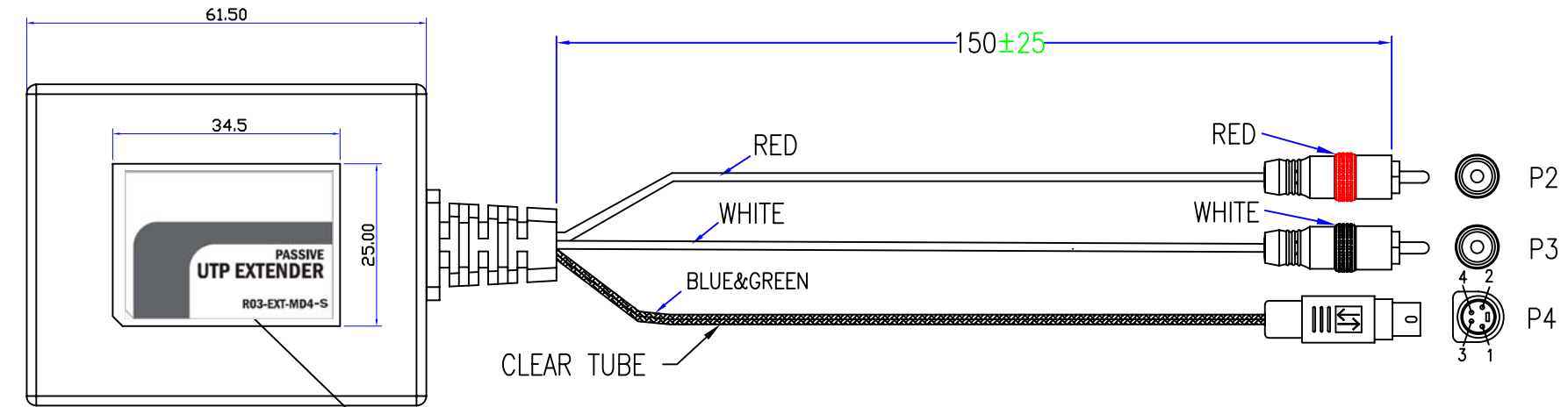
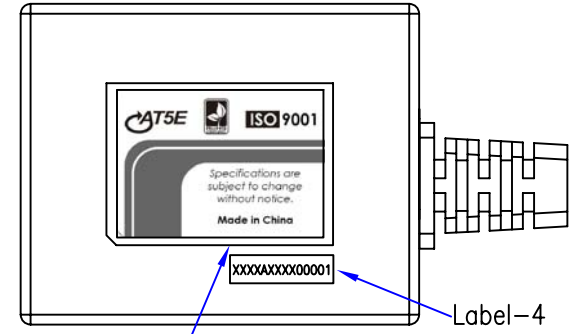


CUSTOMER: TNTUSA



The back of product



Features:

- No software or power adapter required for easy installation.
- Works with UTP (Cat5/5e/6) cable.
- Shell color: Black

Applications

- To be used in home or commercial applications as a fast, and cost-effective means of connecting composite video equipment.
- Ideal for classrooms, projectors, convention facilities, and retail displays.

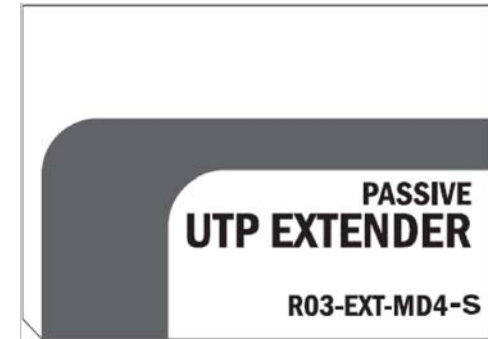
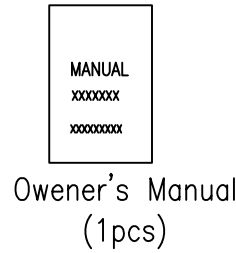
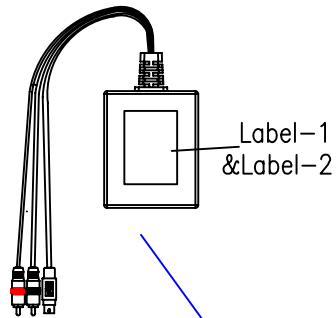
Description:

The perfect solution for connecting s-video devices using UTP(Cat5/5e/6) cable, this s-Video UTP Extender lets you extend signals up to 300ft./100m. With no software or power adapter required, installation and setup is quick and hassle-free.

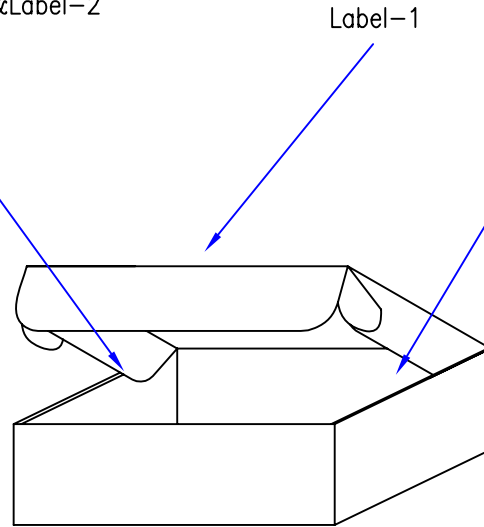
A	INITIAL RELEASE		02/25/10	
REV	DESCRIPTION OF CHANGE		DATE	
TOLERANCE		M/M		Tri-Net Technology, Inc. <a href="http://www.trinetusa.com">http://www.trinetusa.com</a>
INCHES				
.X	.015	.30		
.XX	.010	.10		SCALE NONE
.XXX	.005	.05		UNIT MM
DRAWN BY		starl		SHEET 1/3 DWG NO.
CHECK BY				DATE 02/25/10
APPD BY				TITLE
				S-VIDEO+STEREO AUDIO(4P MINI DIN+2RCA),ONE PIECE
				PART NO.
				R03-EXT-MD4-S



CUSTOMER: TNTUSA



Label-1(34.5\*25mm)  
(BLACK ON GREY)



White Inner Box  
(1pcs)



Label-2(34.5\*25mm)  
(BLACK ON GREY)

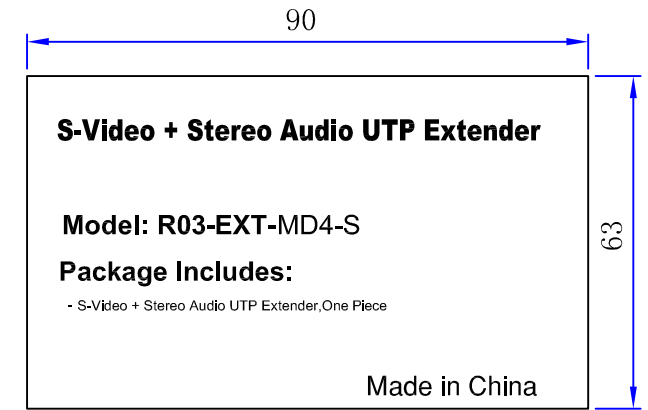
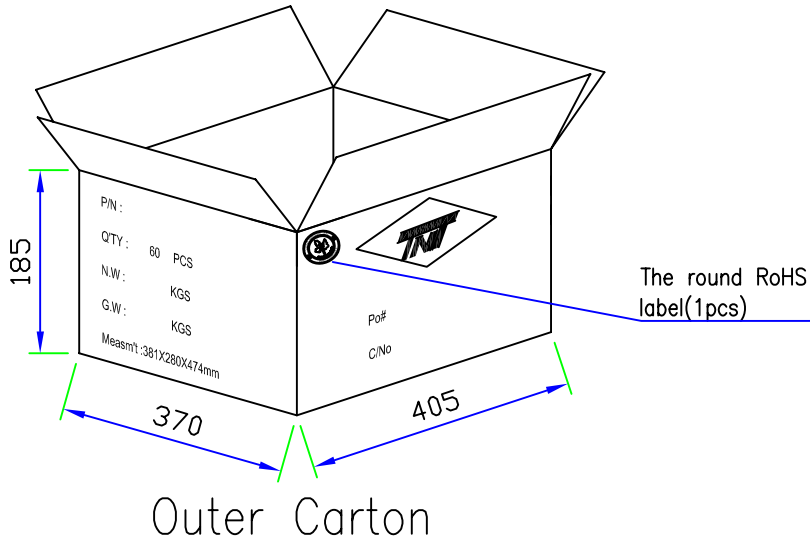
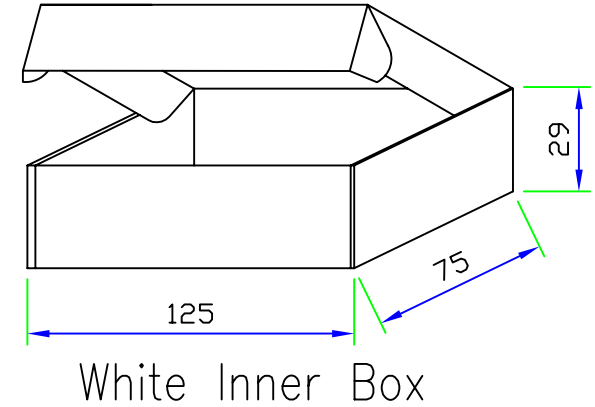
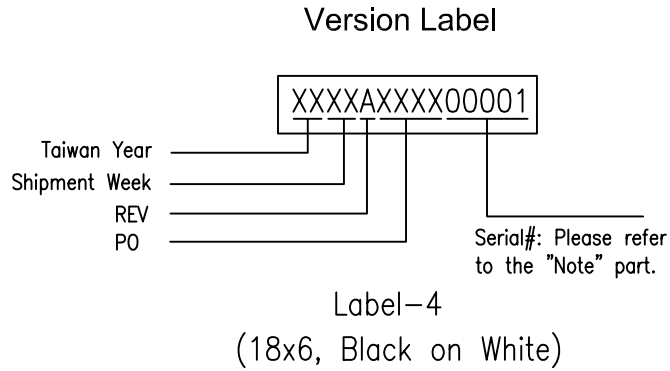
Packaging Details:

- 1) Stick the label-1 onto the Product's TOP.  
Label-2, Label-4 onto the Product's Bottom.
- 2) Need to put owner's manual and power adapter inside the inner box
- 3) Stick the Label-3 onto this inner box.
- 4) Inner box size: 125(L)X75(W)X29(H)MM
- 5) Outer carton size: 405(L)X370(W)X185(H)MM
- 6) Put 60pcs of inner boxes into an outer carton.

A	INITIAL RELEASE		02/25/10	
REV	DESCRIPTION OF CHANGE		DATE	
TOLERANCE		M/M		Tri-Net Technology, Inc. <a href="http://www.trinetusa.com">http://www.trinetusa.com</a>
INCHES				
.X	.015	.30		
.XX	.010	.10		
.XXX	.005	.05		SCALE NONE UNIT MM SHEET 2/3 DATE 02/25/10 DWG NO.
DRAWN BY	starl		REV A	
CHECK BY	TITLE		S-VIDEO+STEREO AUDIO(4P MINI DIN+2RCA),ONE PIECE	
APPD BY	PART NO.		R03-EXT-MD4-S	



CUSTOMER: TNTUSA



A	INITIAL RELEASE		02/25/10	
REV	DESCRIPTION OF CHANGE		DATE	
TOLERANCE		Tri-Net Technology, Inc.		
INCHES		M/M		
.X	.015	.30	http://www.trinetusa.com	
.XX	.010	.10	SCALE	NONE
.XXX	.005	.05	UNIT	MM
DRAWN BY		starl		REV
CHECK BY		DATE		A
APPD BY		DATE		3/3
		DWG NO.		
		TITLE		
		S-VIDEO+STEREO AUDIO(4P MINI DIN+2RCA),ONE PIECE		
		PART NO.		
		R03-EXT-MD4-S		

