

Description:

The perfect solution for connecting s-video devices using UTP(Cat5/5e/6) cable, this s-Video UTP Extender lets you extend signals up to 300ft./100m. With no software or power adapter required, installation and setup is quick and hassle-free.

Features:

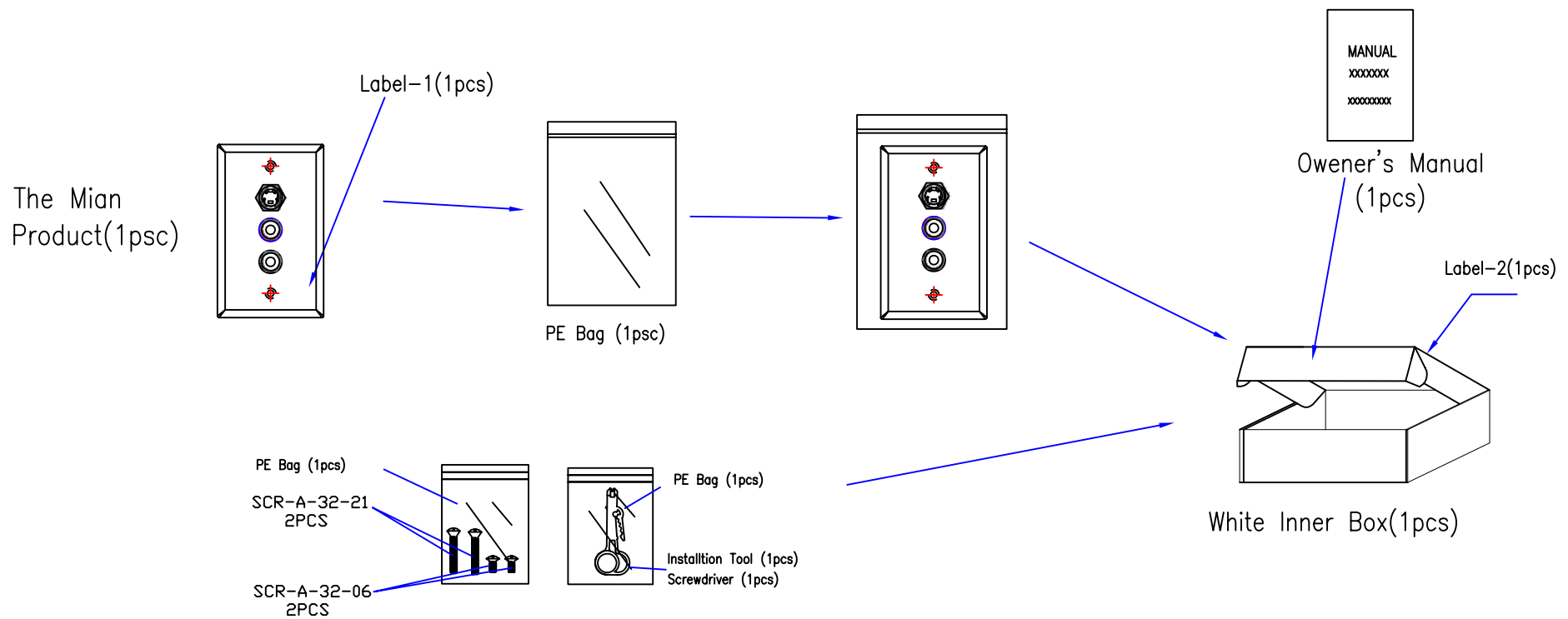
- No software or power adapter required for easy installation.
- Works with UTP (Cat5/5e/6) cable.
- Shell color: White

Applications

- To be used in home or commercial applications as a fast, and cost-effective means of connecting composite video equipment.
- Ideal for classrooms, projectors, convention facilities, and retail displays.

A	INITIAL RELEASE		02/04/10		
REV	DESCRIPTION OF CHANGE		DATE		
TOLERANCE		M/M		Tri-Net Technology, Inc. http://www.trinetusa.com	
.X	.015	.30	SCALE		NONE
.XX	.010	.10	UNIT		MM
.XXX	.005	.05	REV A		
DRAWN BY	starl		SHEET	1/3	
			DATE	02/04/10	
CHECK BY			TITLE		
			S-VIDEO+STEREO AUDIO (S-VIDEO+2RCA), ONE PIECE		
APPD BY			PART NO.		
			R03-EXT-MD4-FP-S		





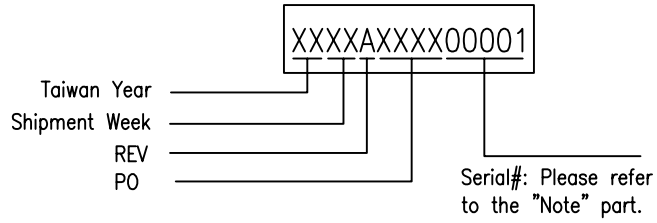
Packaging Details:

- 1) Stick the Label-1 onto the Product's Bottom.
- 2) Put the whole item, the Installation Tool, the enclosed 4pcs of screws (packing with a small PE bag) and owner's manual inside the inner box
- 3) Stick the Label-2 onto this inner box.
- 4) Inner box size: 125(L)X75(W)X29(H)MM
- 5) Outer carton size: 405(L)X370(W)X185(H)MM
- 6) Put 60pcs of inner boxes into an outer carton.

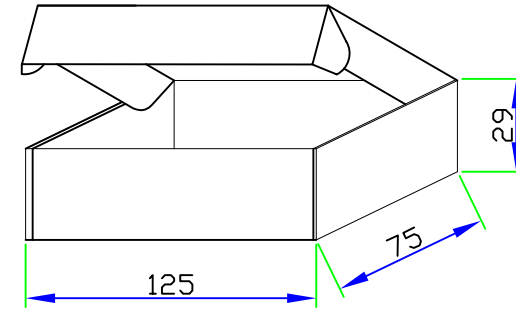
A		INITIAL RELEASE		02/04/10	
REV		DESCRIPTION OF CHANGE		DATE	
TOLERANCE INCHES		M/M		TNT Tri-Net Technology, Inc. http://www.trinetusa.com	
.X	.015	.30	SCALE	NONE	REV A
.XX	.010	.10	UNIT	MM	
.XXX	.005	.05	SHEET	2/3	DWG NO.
DRAWN BY		starl		DATE	02/04/10
CHECK BY				TITLE	
APPD BY				S-VIDEO+STEREO AUDIO (S-VIDEO+2RCA), ONE PIECE	
				PART NO.	
				R03-EXT-MD4-WP-S	



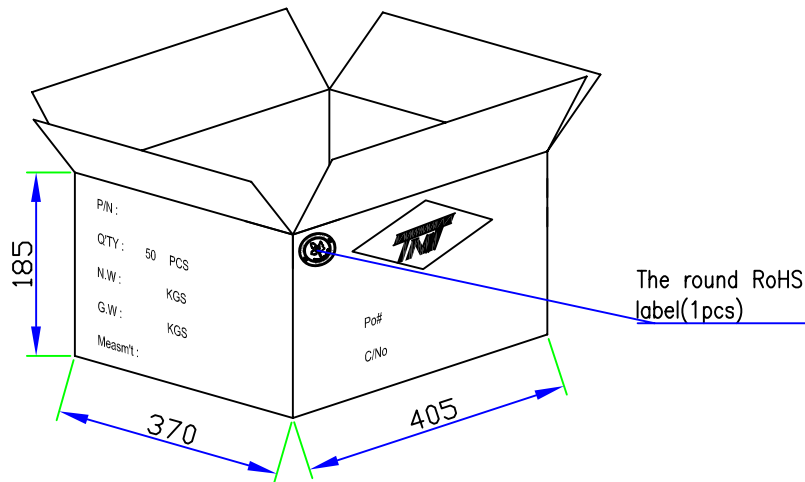
Version Label (Label-1)



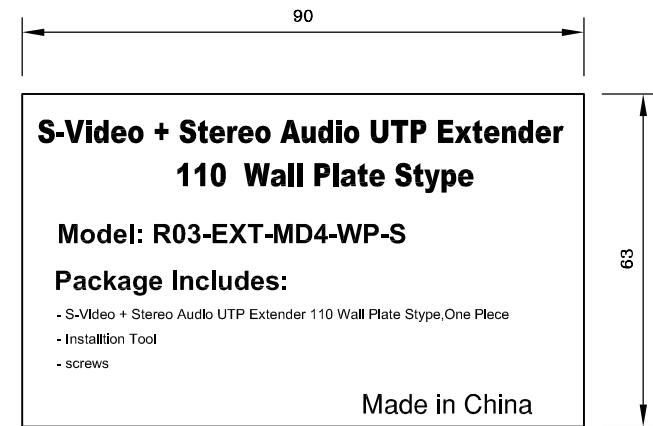
(18x6, Black on White)



White Inner Box



Outer Carton



标签-3
标签尺寸: 90x63mm
标签颜色: 黑白

A	INITIAL RELEASE		02/04/10		
REV	DESCRIPTION OF CHANGE		DATE		
TOLERANCE INCHES		M/M		Tri-Net Technology, Inc. http://www.trinetusa.com	
.X	.015	.30	SCALE		NONE
.XX	.010	.10	UNIT		MM
.XXX	.005	.05	SHEET	3/3	REV A
DRAWN BY	starl		DATE	02/04/10	
CHECK BY			TITLE		
APPD BY			S-VIDEO+STEREO AUDIO (S-VIDEO+2RCA), ONE PIECE		
PART NO.			R03-EXT-MD4-WP-S		

