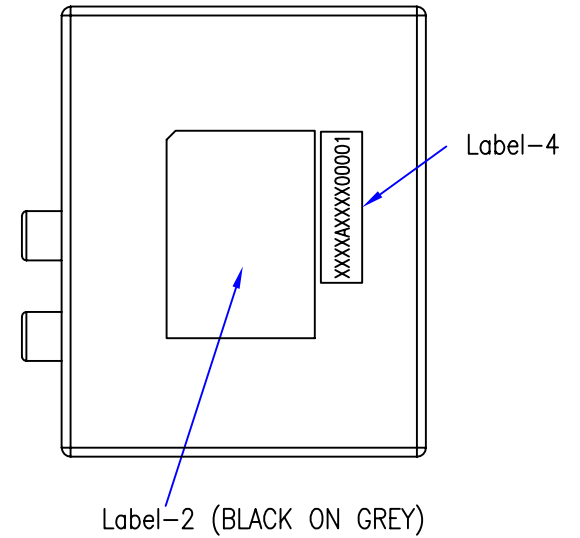
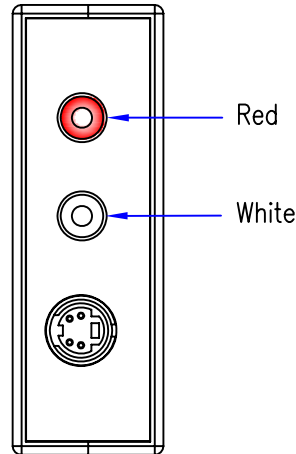
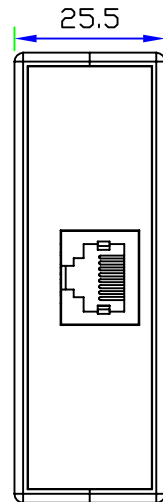
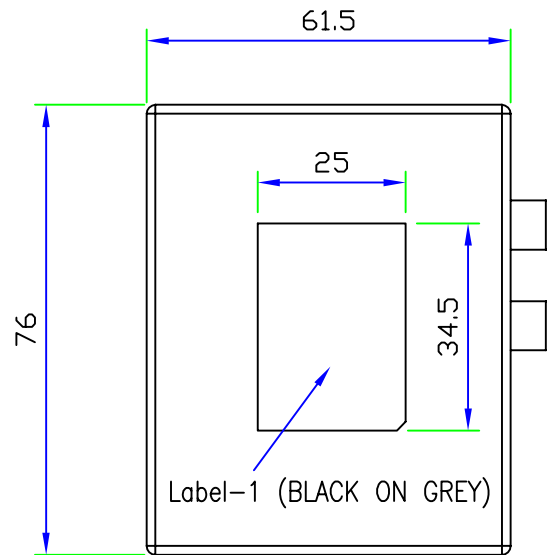


CUSTOMER: TNTUSA



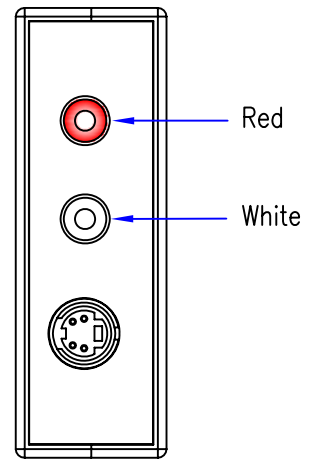
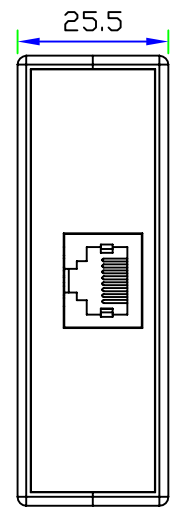
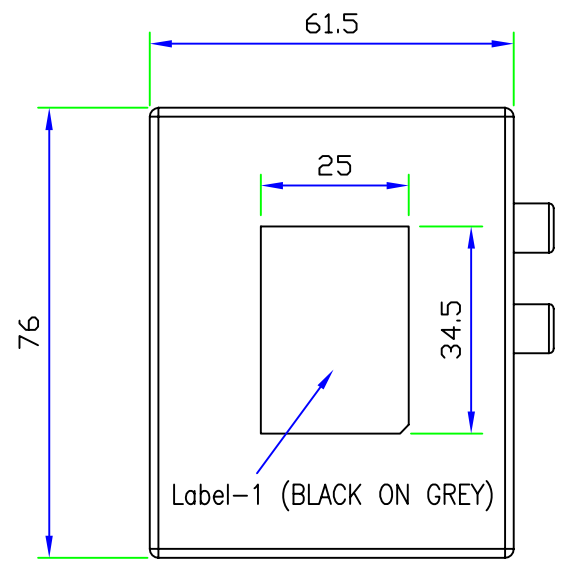
Description:

The perfect solution for connecting s-video devices using UTP(Cat5/5e/6) cable, this s-Video UTP Extender lets you extend signals up to 300ft./100m. R03-EXT-MD4-BX is comprised of two extender units that can be used interchangeably: one is installed near the video signal source, the other to be placed near the desired display, up to an impressive 300ft./100m away. With no software or power adapter required, installation and setup is quick and hassle-free.

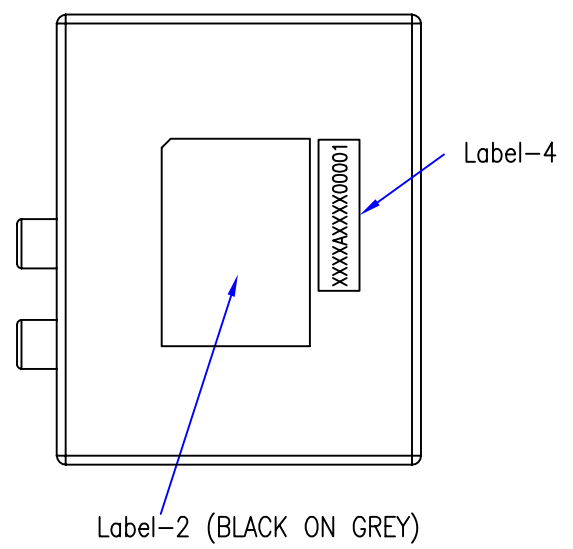
B	ADD PRODUCT LABEL		10/29/10
A	INITIAL RELEASE		07/13/10
REV	DESCRIPTION OF CHANGE		DATE
TOLERANCE		M/M	Tri-Net Technology, Inc. http://www.trinetusa.com
INCHES			
.X	.015	.30	
.XX	.010	.10	SCALE NONE
.XXX	.005	.05	UNIT MM
DRAWN BY		LEO	SHEET 1/4 DWG NO. TNT-S101-E0064
CHECK BY			DATE 10/29/10
APPD BY			TITLE S-VIDEO+STERE AUDIO(4P MINI DIN+2RCA)
			PART NO. R03-EXT-MD4-BX



CUSTOMER: TNTUSA



The back of product



Features:

- No software or power adapter required for easy installation.
- Support up HDTV (.480p)
- Works with UTP (Cat5/5e/6) cable.
- Shell color: Black

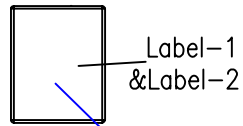
Applications

- To be used in home or commercial applications as a fast, and cost-effective means of connecting composite video equipment.
- Ideal for classrooms, projectors, convention facilities, and retail displays.

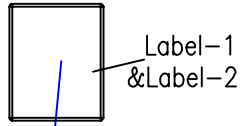
B	ADD PRODUCT LABEL		10/29/10
A	INITIAL RELEASE		07/13/10
REV	DESCRIPTION OF CHANGE		DATE
TOLERANCE		M/M	
.X	.015	.30	Tri-Net Technology, Inc. http://www.trinetusa.com
.XX	.010	.10	
.XXX	.005	.05	
SCALE		NONE	REV B
UNIT		MM	
DRAWN BY	LEO	SHEET 2/4	DWG NO.
CHECK BY		DATE 10/29/10	TNT-S101-E0064
APPD BY		TITLE	
		S-VIDEO+STERE AUDIO(4P MINI DIN+2RCA)	
		PART NO.	
		R03-EXT-MD4-BX	



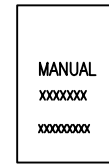
CUSTOMER: TNTUSA



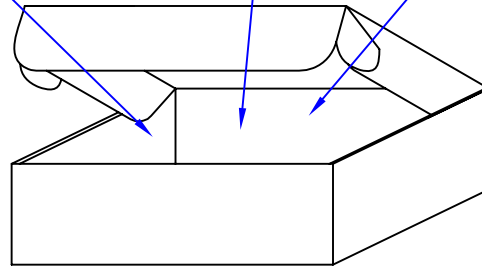
Label-1
&Label-2



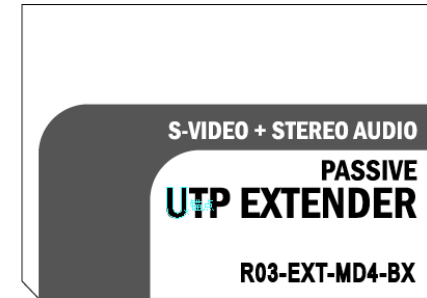
Label-1
&Label-2



Owner's Manual
(1pcs)



White Inner Box
(1pcs)



Label-1(34.5*25mm)
(BLACK ON GREY)



Label-2(34.5*25mm)
(BLACK ON GREY)

Packaging Details:

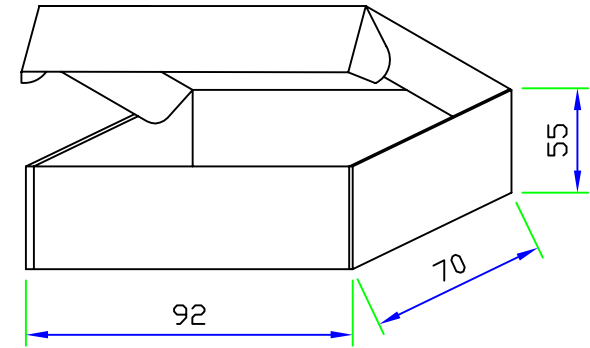
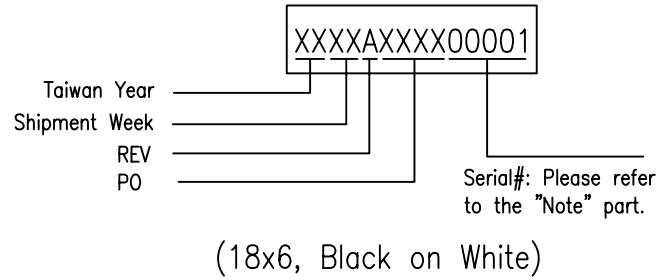
- 1) Stick the label-1 onto the Product's TOP.
Label-2 onto the Product's Bottom.
- 2) Need to put owner's manual inside the inner box
- 3) Stick the Label-3 onto this inner box.
- 4) Finally, pack the whole item using pyrocondensation film.
- 5) Inner box size: 92(L)X70(W)X55(H)MM
- 6) Outer carton size: 282(L)X260(W)X221(H)MM
- 7) Put 36pcs of inner boxes into an outer carton.

B	ADD PRODUCT LABEL		10/29/10
A	INITIAL RELEASE		07/13/10
REV	DESCRIPTION OF CHANGE		DATE
TOLERANCE		Tri-Net Technology, Inc.	
INCHES		M/M	
.X	.015	.30	 http://www.trinetusa.com
.XX	.010	.10	
.XXX	.005	.05	
SCALE	NONE		 REV B
UNIT	MM		
DRAWN BY	LEO	SHEET	3/4
		DATE	10/29/10
		DWG NO.	TNT-S101-E0064
CHECK BY		TITLE	S-VIDEO+STERE AUDIO(4P MINI DIN+2RCA)
APPD BY		PART NO.	R03-EXT-MD4-BX

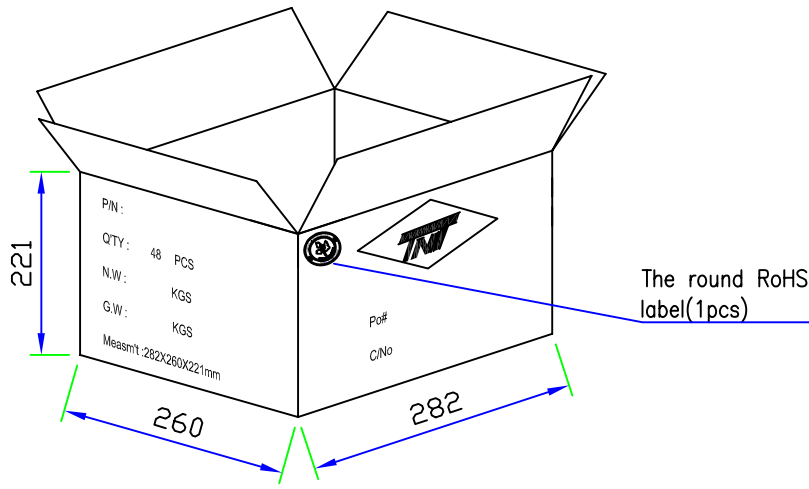


CUSTOMER: TNTUSA

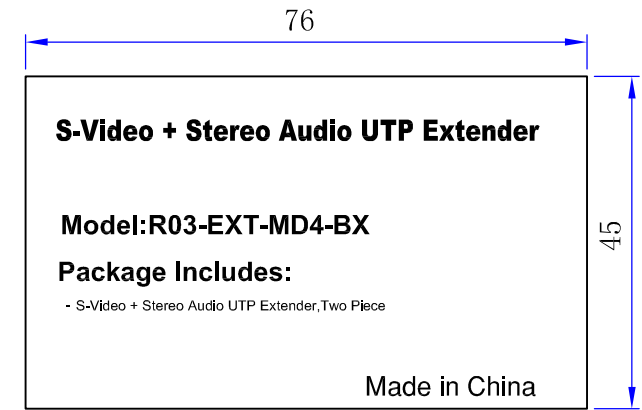
Version Label (Label-4)



White Inner Box



Outer Carton



LABEL-3 76*45MM

B	ADD PRODUCT LABEL		10/29/10
A	INITIAL RELEASE		07/13/10
REV	DESCRIPTION OF CHANGE		DATE
TOLERANCE		Tri-Net Technology, Inc.	
INCHES		M/M	
.X	.015	.30	 http://www.trinetusa.com
.XX	.010	.10	
.XXX	.005	.05	
SCALE	NONE		REV B
UNIT	MM		
SHEET	4/4		DWG NO.
DATE	10/29/10		TNT-S101-E0064
DRAWN BY	LEO		TITLE
CHECK BY			S-VIDEO+STERE AUDIO(4P MINI DIN+2RCA)
APPD BY			PART NO.
			R03-EXT-MD4-BX

