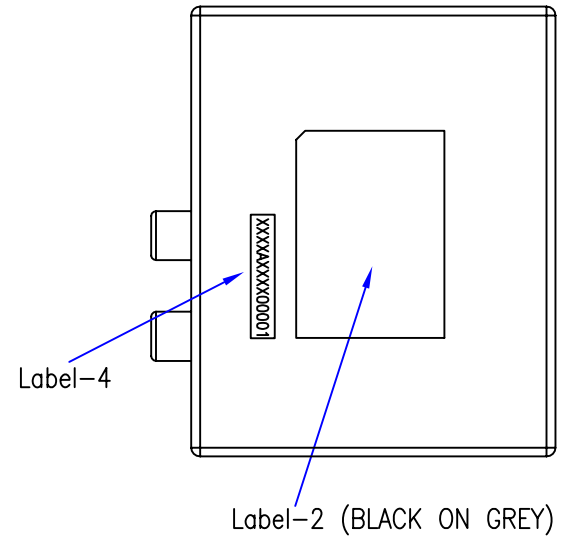


The back of product



**Description:**

The perfect solution for connecting composite video devices using UTP(Cat5/5e/6) cable, this Composite Video UTP Extender lets you extend signals up to 300ft./100m. With no software or power adapter required, installation and setup is quick and hassle-free.

**Features:**

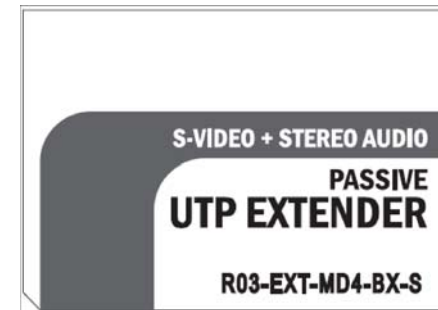
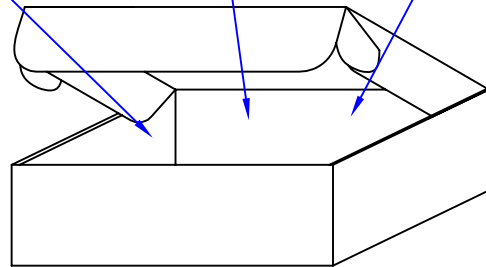
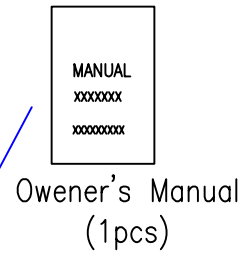
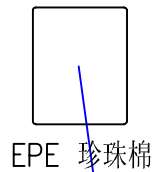
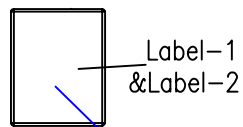
- No software or power adapter required for easy installation.
- Support up HDTV (.480p)
- Works with UTP (Cat5/5e/6) cable.
- Shell color: Black

**Applications**

- To be used in home or commercial applications as a fast, and cost-effective means of connecting composite video equipment.
- Ideal for classrooms, projectors, convention facilities, and retail displays.

A	INITIAL RELEASE		02/21/11																											
REV	DESCRIPTION OF CHANGE		DATE																											
	TOLERANCE INCHES	M/M	Tri-Net Technology, Inc. <a href="http://www.trinetusa.com">http://www.trinetusa.com</a>																											
.X	.015	.30																												
.XX	.010	.10																												
.XXX	.005	.05	<table border="1"> <tr> <td>SCALE</td> <td>NONE</td> <td rowspan="2"> </td> <td rowspan="2">REV</td> <td rowspan="2">A</td> </tr> <tr> <td>UNIT</td> <td>MM</td> </tr> <tr> <td>DRAWN BY</td> <td>JON</td> <td>SHEET</td> <td>1/3</td> <td>DWG NO.</td> </tr> <tr> <td>CHECK BY</td> <td></td> <td>DATE</td> <td>02/21/11</td> <td></td> </tr> <tr> <td>APPD BY</td> <td></td> <td>TITLE</td> <td colspan="2">S-VIDEO+STERE AUDIO(4P MINI DIN+2RCA),ONE PIECE</td> </tr> <tr> <td></td> <td></td> <td>PART NO.</td> <td colspan="2">R03-EXT-MD4-BX-S</td> </tr> </table>	SCALE	NONE		REV	A	UNIT	MM	DRAWN BY	JON	SHEET	1/3	DWG NO.	CHECK BY		DATE	02/21/11		APPD BY		TITLE	S-VIDEO+STERE AUDIO(4P MINI DIN+2RCA),ONE PIECE				PART NO.	R03-EXT-MD4-BX-S	
SCALE	NONE		REV	A																										
UNIT	MM																													
DRAWN BY	JON	SHEET	1/3	DWG NO.																										
CHECK BY		DATE	02/21/11																											
APPD BY		TITLE	S-VIDEO+STERE AUDIO(4P MINI DIN+2RCA),ONE PIECE																											
		PART NO.	R03-EXT-MD4-BX-S																											





Label-1(34.5\*25mm)  
(BLACK ON GREY)



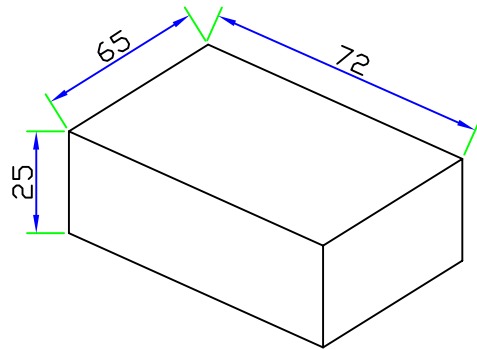
Label-2(34.5\*25mm)  
(BLACK ON GREY)

Packaging Details:

- 1) Stick the label-1 onto the Product's TOP.  
Label-2, Label-4 onto the Product's Bottom.
- 2) Need to put owner's manual and power adapter inside the inner box
- 3) Stick the Label-3 onto this inner box.
- 4) Finally, pack the whole item using pyrocondensation film.
- 5) Inner box size: 92(L)X70(W)X55(H)MM
- 6) Outer carton size: 282(L)X260(W)X221(H)MM
- 7) Put 36pcs of inner boxes into an outer carton.

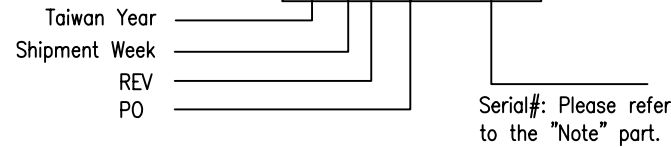
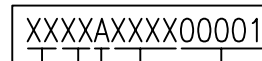
A	INITIAL RELEASE		02/21/11	
REV	DESCRIPTION OF CHANGE		DATE	
TOLERANCE		TNT Tri-Net Technology, Inc. http://www.trinetusa.com		
INCHES		M/M	SCALE	NONE
.X	.015	.30	UNIT	MM
.XX	.010	.10	SHEET	2/3
.XXX	.005	.05	DATE	02/21/11
DRAWN BY	JON		DWG NO.	REV A
CHECK BY	TITLE		S-VIDEO+STERE AUDIO(4P MINI DIN+2RCA),ONE PIECE	
APPD BY	PART NO.		R03-EXT-MD4-BX-S	



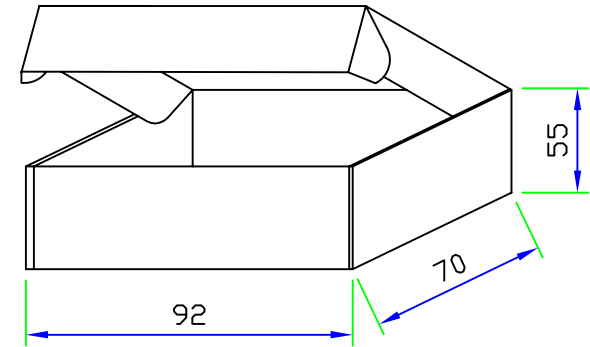


EPE 珍珠棉

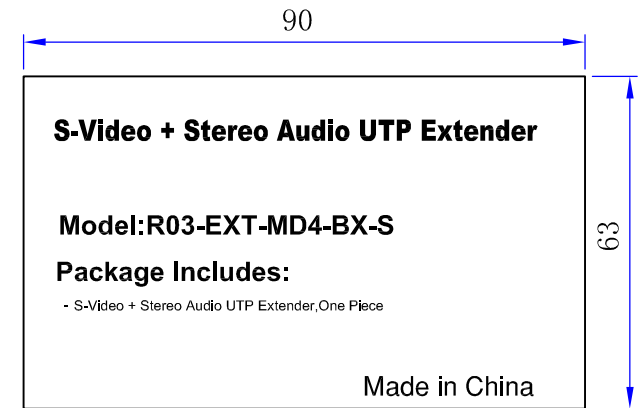
Version Label



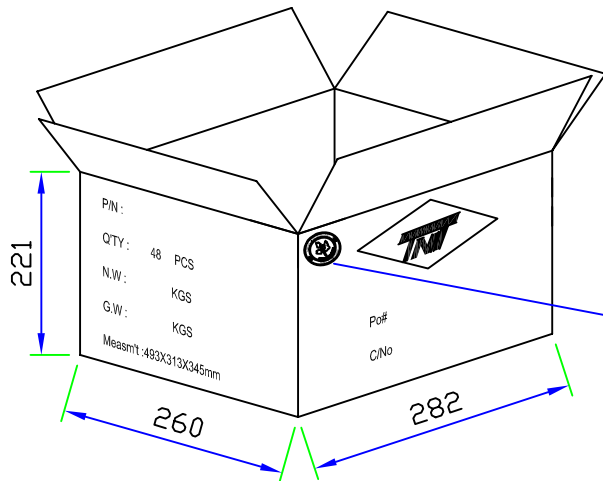
Label-4  
(18x6, Black on White)



White Inner Box



LABEL-3 90\*63MM



Outer Carton

The round RoHS label(1pcs)

A	INITIAL RELEASE		02/21/11	
REV	DESCRIPTION OF CHANGE		DATE	
TOLERANCE		M/M		Tri-Net Technology, Inc. <a href="http://www.trinetusa.com">http://www.trinetusa.com</a>
INCHES				
.X	.015	.30		
.XX	.010	.10		SCALE NONE
.XXX	.005	.05		UNIT MM
DRAWN BY		JON		REV A
CHECK BY		DATE 02/21/11		DWG NO.
APPD BY		TITLE		S-VIDEO+STERE AUDIO(4P MINI DIN+2RCA),ONE PIECE
		PART NO.		R03-EXT-MD4-BX-S

