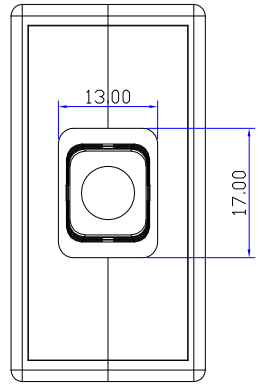
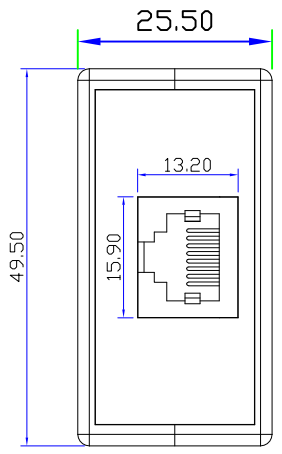
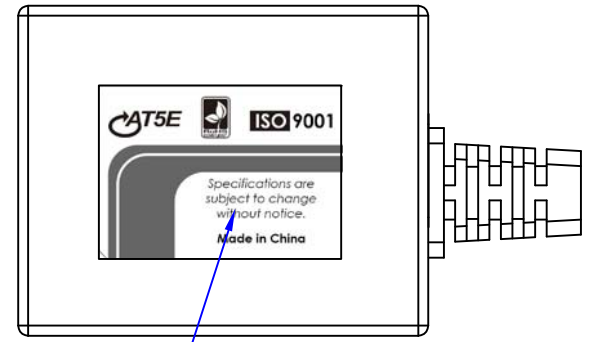


Label-1 (BLACK ON GREY)



The back of product



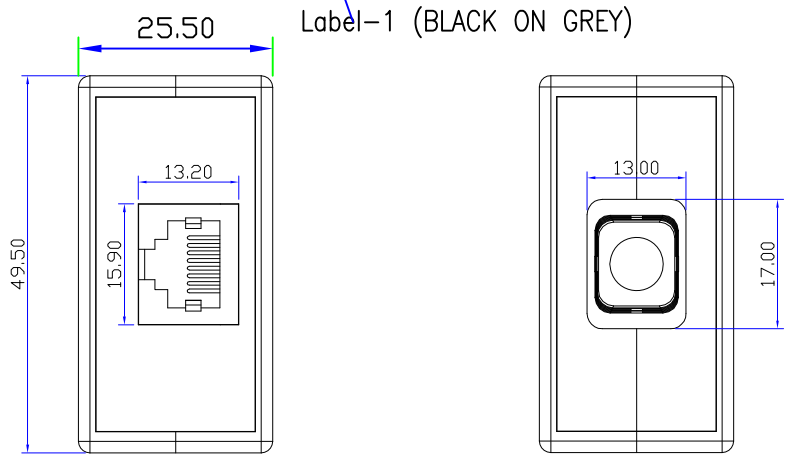
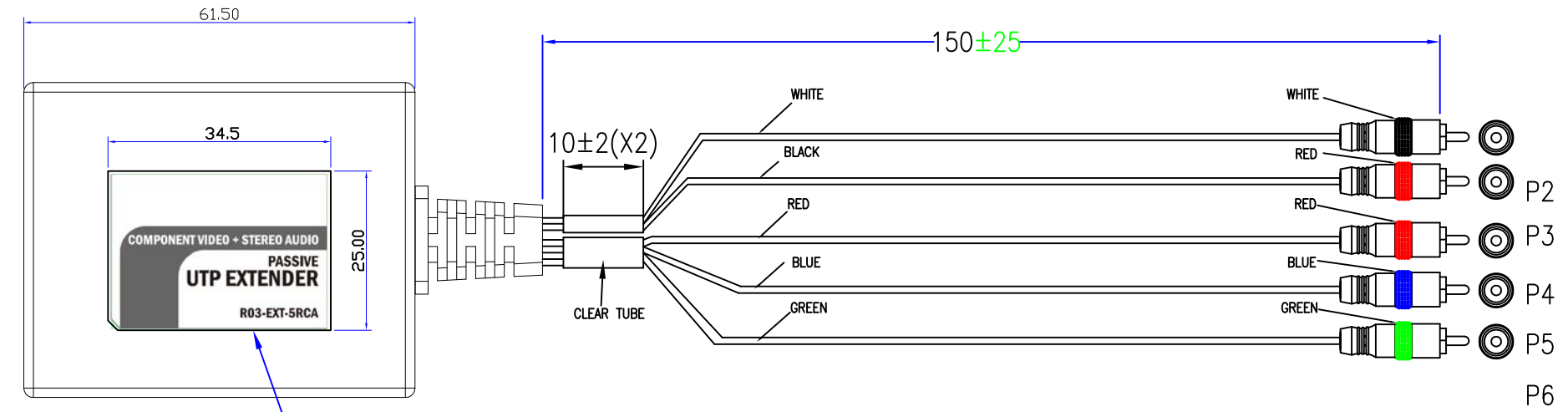
Label-2 (BLACK ON GREY)

**Description:**

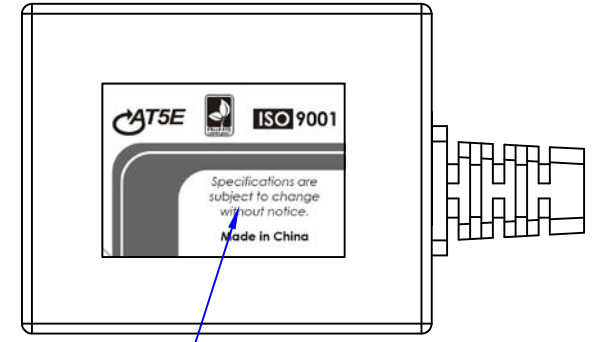
The perfect solution for connecting component video devices using UTP(Cat5/5e/6) cable, this Component Video (YPbPr) UTP Extender lets you extend signals up to 300ft./100m. R03-EXT-3BNC is comprised of two extender units that can be used interchangeably: one is installed near the video signal source, the other to be placed near the desired display, up to an impressive 300ft./100m away. With no software or power adapter required, installation and setup is quick and hassle-free.

A	INITIAL RELEASE		02/03/10	
REV	DESCRIPTION OF CHANGE		DATE	
TOLERANCE INCHES		M/M	TNT Tri-Net Technology, Inc. http://www.trinetusa.com	
.X	.015	.30	SCALE NONE	REV A
.XX	.010	.10	UNIT MM	
.XXX	.005	.05	SHEET 1/4	DWG NO.
DRAWN BY		starl	DATE 02/03/10	
CHECK BY			TITLE COMPONENT VIDEO+STERE AUDIO(5RCA)	
APPD BY			PART NO. R03-EXT-5RCA	





The back of product



Label-2 (BLACK ON GREY)

Features:

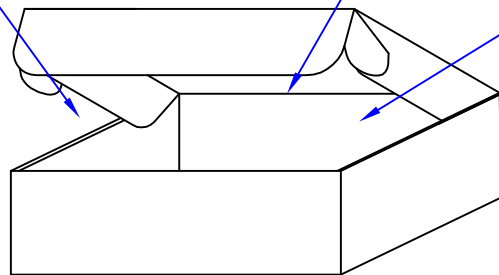
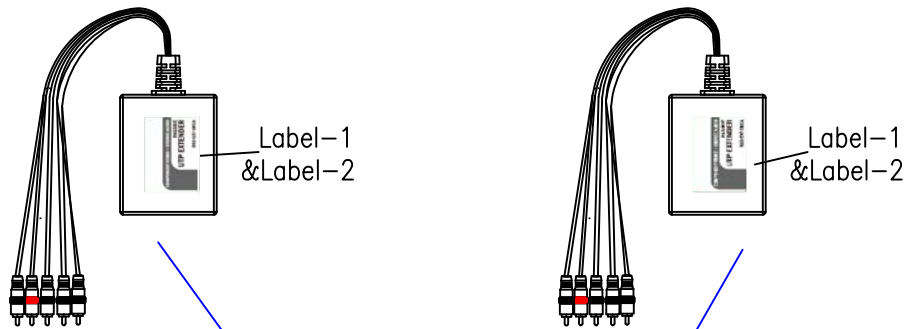
- No software or power adapter required for easy installation.
- Support up HDTV (.480p/720p/1080i)
- Works with UTP (Cat5/5e/6) cable.
- Shell color: Black

Applications

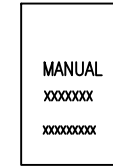
- To be used in home or commercial applications as a fast, and cost-effective means of connecting composite video equipment.
- Ideal for classrooms, projectors, convention facilities, and retail displays.

A	INITIAL RELEASE		02/03/10		
REV	DESCRIPTION OF CHANGE		DATE		
TOLERANCE		M/M		Tri-Net Technology, Inc. <a href="http://www.trinetusa.com">http://www.trinetusa.com</a>	
.X	.015	.30	SCALE		NONE
.XX	.010	.10	UNIT		MM
.XXX	.005	.05	SHEET	2/4	DWG NO.
DRAWN BY	startl		DATE	02/03/10	
CHECK BY			TITLE		
APPD BY			COMPONENT VIDEO+STERE AUDIO(5RCA)		
			PART NO. R03-EXT-5RCA		

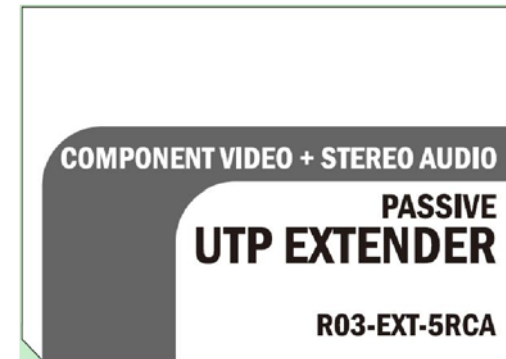




White Inner Box  
(1pcs)



Owner's Manual  
(1pcs)



Label-1(34.5\*25mm)  
(BLACK ON GREY)

Packaging Details:

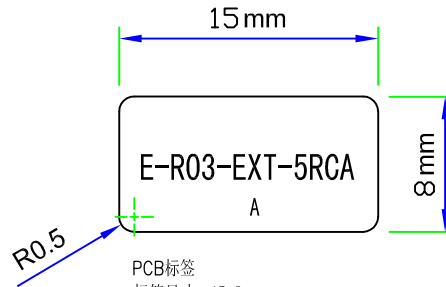
- 1) Stick the label-1 onto the Product's TOP.  
Label-2 onto the Product's Bottom.
- 2) Need to put owner's manual and power adapter inside the inner box
- 3) Stick the Label-3 onto this inner box.
- 4) Finally, pack the whole item using pyrocondensation film.
- 5) Inner box size: 134(L)X123(W)X41(H)MM
- 6) Outer carton size: 381(L)X280(W)X474(H)MM
- 7) Put 50pcs of inner boxes into an outer carton.

A	INITIAL RELEASE		02/03/10		
REV	DESCRIPTION OF CHANGE		DATE		
TOLERANCE		M/M	Tri-Net Technology, Inc. <a href="http://www.trinetusa.com">http://www.trinetusa.com</a>		
.X	.015	.30			
.XX	.010	.10			
.XXX	.005	.05	SCALE	NONE	REV A
			UNIT	MM	
DRAWN BY			SHEET	3/4	DWG NO.
startl			DATE	02/03/10	
CHECK BY			TITLE		
			COMPONENT VIDEO+STERE AUDIO(5RCA)		
APPD BY			PART NO.		
			R03-EXT-5RCA		

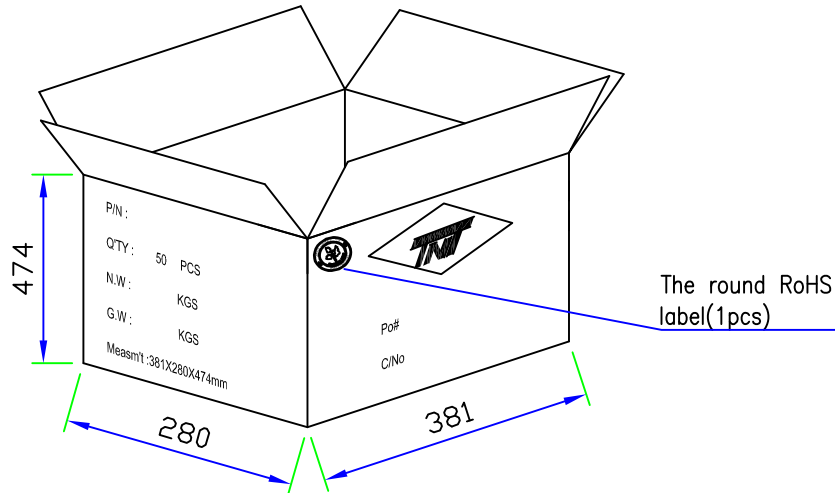




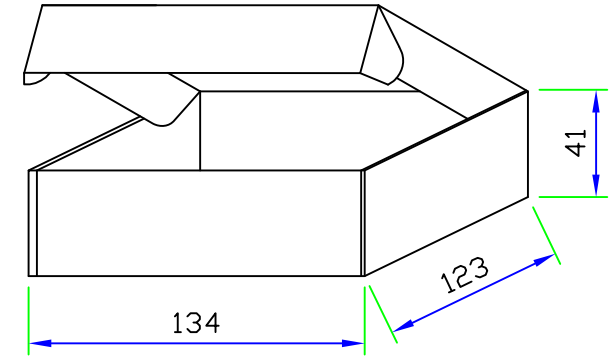
Label-2(34.5\*25mm)  
(BLACK ON GREY)



PCB标签  
 标签尺寸: 15x8mm  
 标签颜色: 橙色  
 料号: LAB-E-R03-EXT-5RCA-OR-A  
 成品料号: R03-EXT-5RCA



Outer Carton



White Inner Box



LABEL-3 90\*63MM

The round RoHS label(1pcs)

A	INITIAL RELEASE		02/03/10	
REV	DESCRIPTION OF CHANGE		DATE	
TOLERANCE INCHES		M/M	TNT Tri-Net Technology, Inc. http://www.trinetusa.com	
.X	.015	.30	SCALE	NONE
.XX	.010	.10	UNIT	MM
.XXX	.005	.05	SHEET	4/4
DRAWN BY		starl	DATE	02/03/10
CHECK BY			TITLE	
APPD BY			PART NO.	
			PACKING	
			R03-EXT-5RCA	

