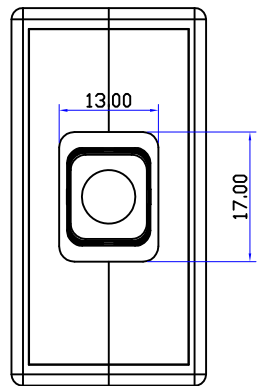
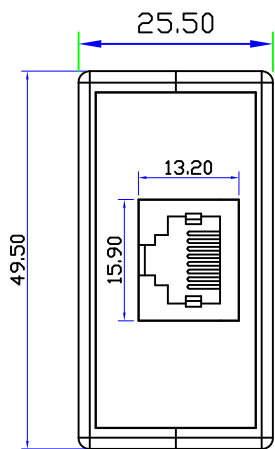


Label-1 (BLACK ON GREY)



Features:

- No software or power adapter required for easy installation.
- Support up HDTV (.480p/720p/1080i)
- Works with UTP (Cat5/5e/6) cable.
- Shell color: Black

Applications

- To be used in home or commercial applications as a fast, and cost-effective means of connecting composite video equipment.
- Ideal for classrooms, projectors, convention facilities, and retail displays.

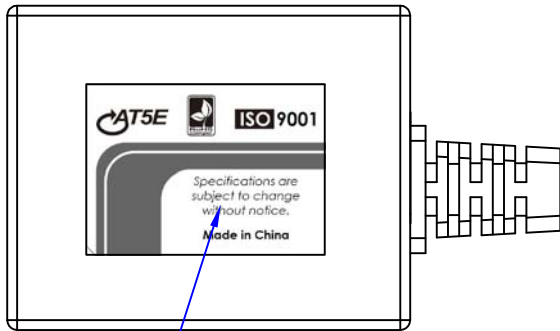
Description:

The perfect solution for connecting component video devices using UTP(Cat5/5e/6) cable, this Component Video (YPbPr) UTP Extender lets you extend signals up to 300ft./100m. R03-EXT-5RCA is comprised of two extender units that can be used interchangeably: one is installed near the video signal source, the other to be placed near the desired display, up to an impressive 300ft./100m away. With no software or power adapter required, installation and setup is quick and hassle-free.

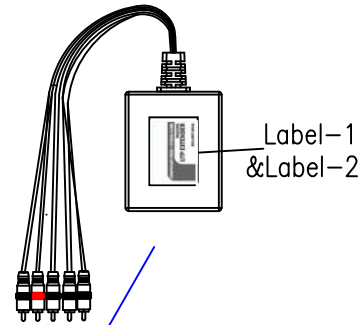
A	INITIAL RELEASE		02/01/10	
REV	DESCRIPTION OF CHANGE		DATE	
TOLERANCE INCHES		M/M	Tri-Net Technology, Inc. http://www.trinetusa.com	
.X	.015	.30		
.XX	.010	.10		
.XXX	.005	.05	SCALE NONE	REV A
			UNIT MM	
DRAWN BY		startl	SHEET 1/3	DWG NO.
			DATE 02/01/10	
CHECK BY			TITLE COMPONENT VIDEO + STEREO AUDIO UTP EXTENDER,BOX STYLE,ONE PIECE	
APPD BY			PART NO. R03-EXT-5RCA-S	



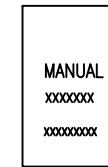
The back of product



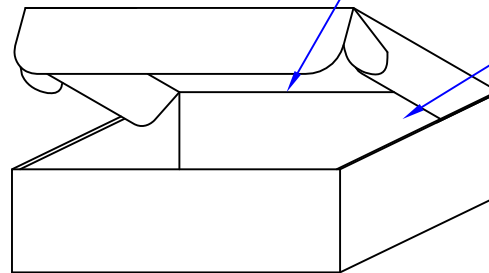
Label-2 (BLACK ON GREY)



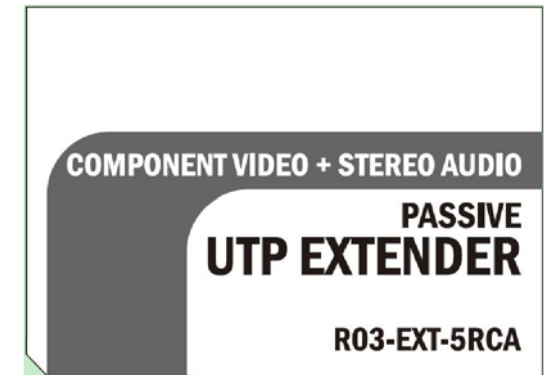
Label-1 & Label-2



Owner's Manual (1pcs)



White Inner Box (1pcs)



Label-1(34.5*25mm) (BLACK ON GREY)

Packaging Details:

- 1) Stick the label-1 onto the Product's TOP.
Label-2 onto the Product's Bottom.
- 2) Need to put owner's manual and power adapter inside the inner box
- 3) Stick the Label-3 onto this inner box.
- 4) Inner box size: 125(L)X75(W)X29(H)MM
- 5) Outer carton size: 405(L)X370(W)X185(H)MM
- 6) Put 50pcs of inner boxes into an outer carton.

A	INITIAL RELEASE		02/01/10		
REV	DESCRIPTION OF CHANGE		DATE		
TOLERANCE INCHES		M/M	TNT Tri-Net Technology, Inc. http://www.trinetusa.com		
.X	.015	.30	SCALE	NONE	REV A
.XX	.010	.10	UNIT	MM	
.XXX	.005	.05	SHEET	2/3	DWG NO.
DRAWN BY	starl		DATE	02/01/10	
CHECK BY			TITLE PACKING-1		
APPD BY			PART NO. R03-EXT-5RCA-S		





ISO 9001

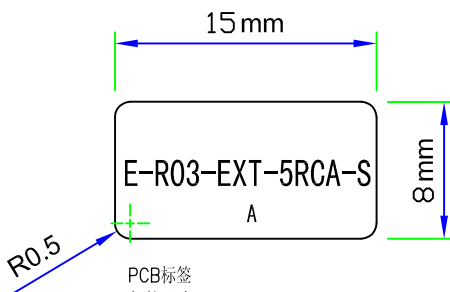
Specifications are subject to change without notice.

Made in China

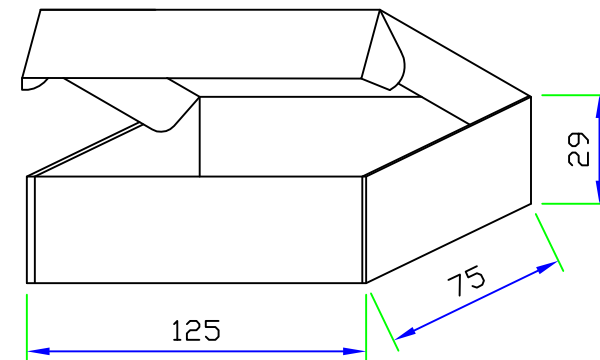


LABEL-3 90*63MM

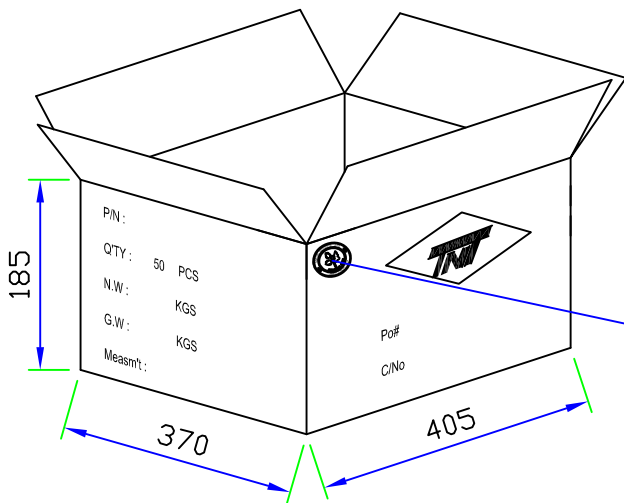
Label-2(34.5*25mm)
(BLACK ON GREY)



PCB标签
 标签尺寸: 15x8mm
 标签颜色: 橙色
 料号: LAB-E-R03-EXT-5RCA-S-OR-A
 成品料号: R03-EXT-5RCA-S



White Inner Box



Outer Carton

A	INITIAL RELEASE		02/01/10		
REV	DESCRIPTION OF CHANGE		DATE		
TOLERANCE		M/M		Tri-Net Technology, Inc. http://www.trinetusa.com	
.X	.015	.30	SCALE		NONE
.XX	.010	.10	UNIT		MM
.XXX	.005	.05	SHEET	3/3	REV A
DRAWN BY	starl		DATE	02/01/10	
CHECK BY			TITLE		
APPD BY			PART NO.		
			PACKING-2		
			R03-EXT-5RCA-S		

