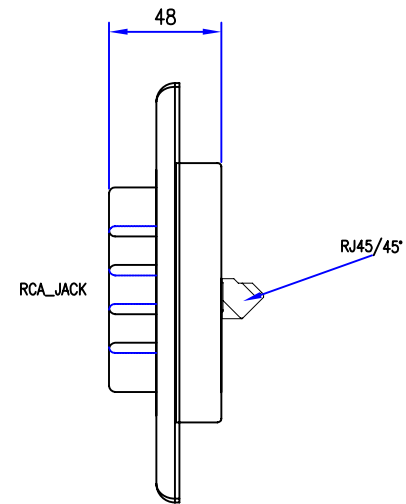
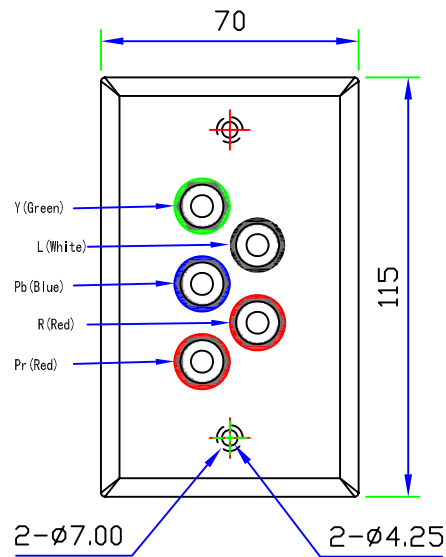


CUSTOMER: TNTUSA



Description:

The perfect solution for connecting component video devices using UTP(Cat5/5e/6) cable, this Component Video (YPbPr) UTP Extender lets you extend signals up to 300ft./100m. With no software or power adapter required, installation and setup is quick and hassle-free.

Features:

- No software or power adapter required for easy installation.
- Support up HDTV .(480p/720p/1080i)
- Works with UTP (Cat5/5e/6) cable.
- Shell color: White

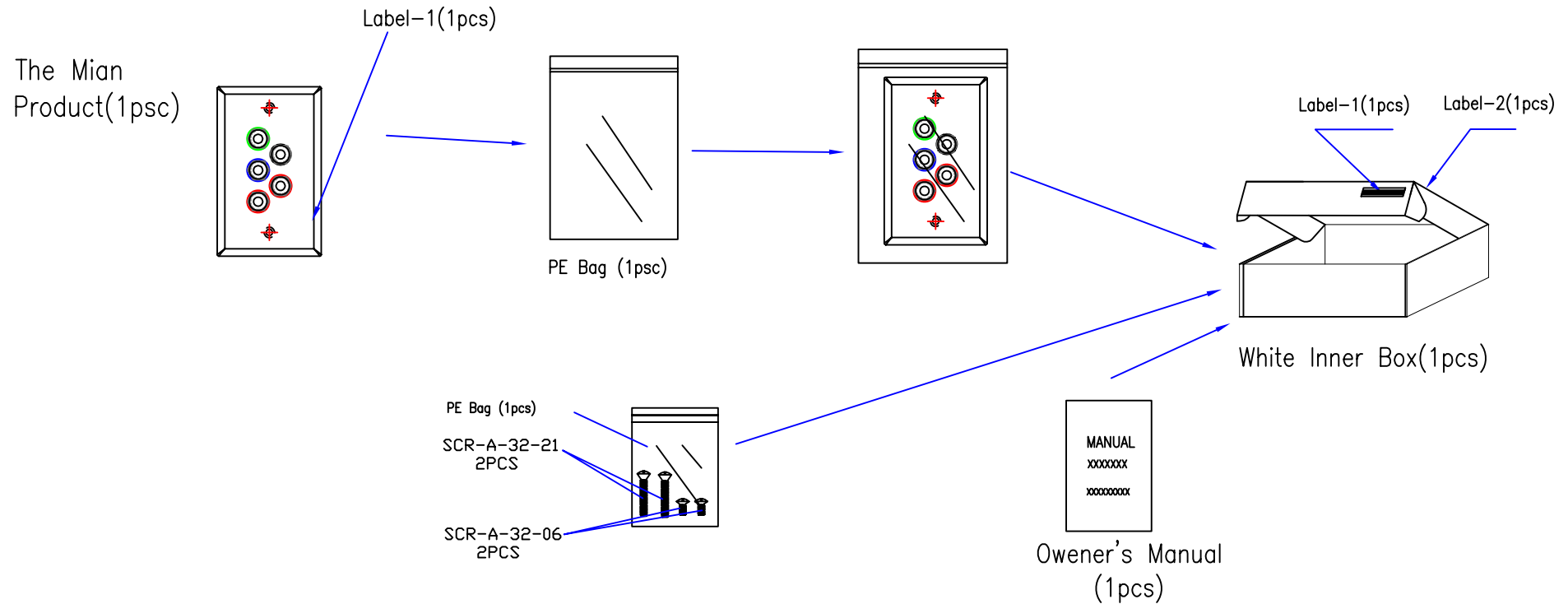
Applications

- To be used in home or commercial applications as a fast, and cost-effective means of connecting composite video equipment.
- Ideal for classrooms, projectors, convention facilities, and retail displays.

A	INITIAL RELEASE		12/10/10	
REV	DESCRIPTION OF CHANGE		DATE	
TOLERANCE		M/M		Tri-Net Technology, Inc. http://www.trinetusa.com
INCHES				
.X	.015	.30		
.XX	.010	.10		SCALE NONE
.XXX	.005	.05		UNIT MM
DRAWN BY	starl		SHEET 1/3	DWG NO.
CHECK BY			DATE 12/10/10	REV A
APPD BY			TITLE COMPONENT VIDEO+STEREO AUDIO 110 WALL PLATE STYPE,ONE PIECE(5RCA)	
			PART NO. R03-EXT-5RCA-JP-S	



CUSTOMER: TNTUSA



Packaging Details:

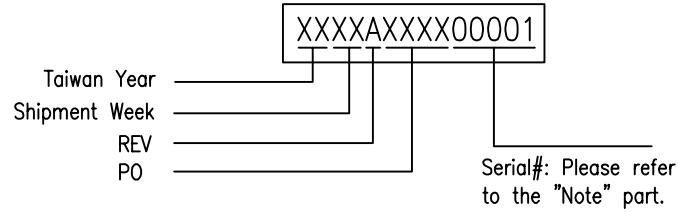
- 1) Stick the Label-1 onto the Product's Bottom.
- 2) Put the whole item, the enclosed 4pcs of screws (packing with a small PE bag) and owner's manual inside the inner box
- 3) Stick the Label-2 onto this inner box.
- 4) Finally, pack the whole item using pyrocondensation film.
- 5) Inner box size: 125MM (L) X 75MM (W) X 58MM(H)
- 6) Outer carton size: 405MM (L) X 370MM (W) X 185MM (H)
- 7) Put 30pcs of inner boxes into an outer carton.



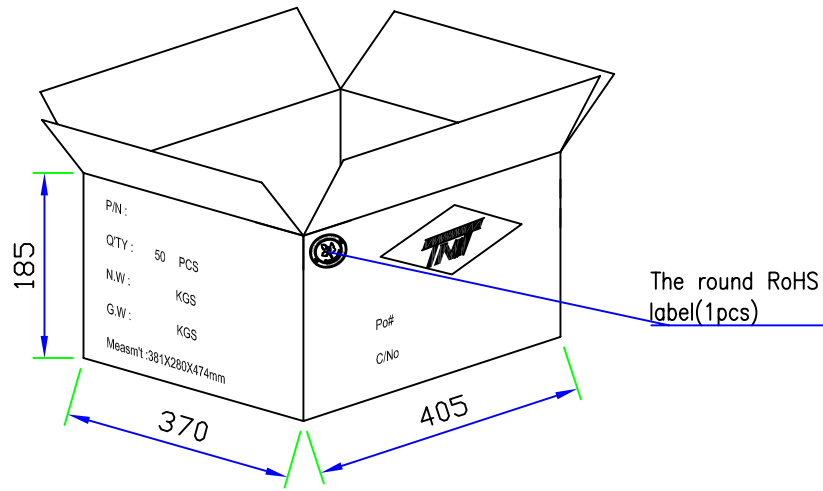
A	INITIAL RELEASE		12/10/10	
REV	DESCRIPTION OF CHANGE		DATE	
	TOLERANCE INCHES	M/M	TNT Tri-Net Technology, Inc. http://www.trinetusa.com	
.X	.015	.30	SCALE	NONE
.XX	.010	.10	UNIT	MM
.XXX	.005	.05	SHEET	2/3
			DATE	12/10/10
DRAWN BY	starl		DWG NO.	
CHECK BY			TITLE	packing-1
APPD BY			PART NO.	R03-EXT-5RCA-JP-S

CUSTOMER: TNTUSA

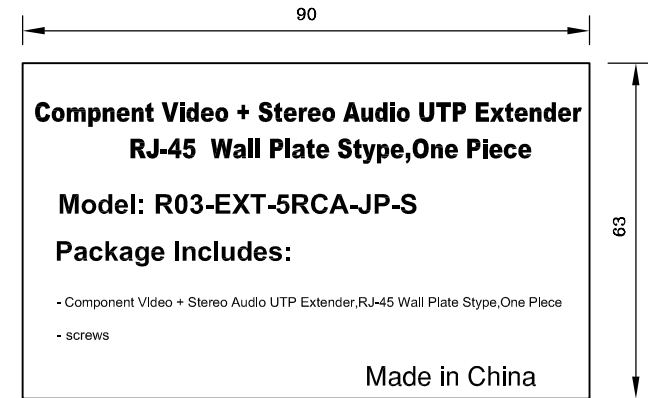
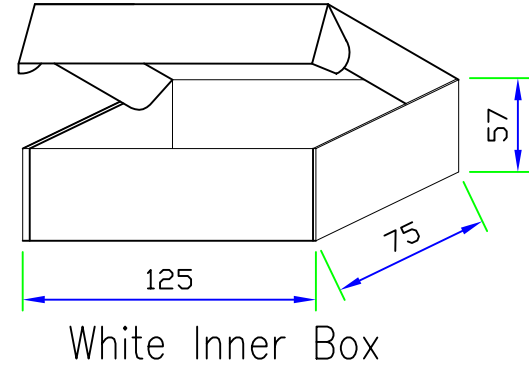
Version Label



Label-1
(18x6, Black on White)



Outer Carton



Label-2
标签尺寸: 90x63mm
标签颜色: 黑白

A	INITIAL RELEASE		12/10/10	
REV	DESCRIPTION OF CHANGE		DATE	
TOLERANCE		M/M		Tri-Net Technology, Inc. http://www.trinetusa.com
INCHES				
.X	.015	.30		
.XX	.010	.10		
SCALE		NONE		REV A
.XXX	.005	.05		
UNIT		MM		
SHEET		3/3		DWG NO.
DATE		12/10/10		
DRAWN BY		starl		TITLE
CHECK BY				packing-2
APPD BY				PART NO.
				R03-EXT-5RCA-JP-S

