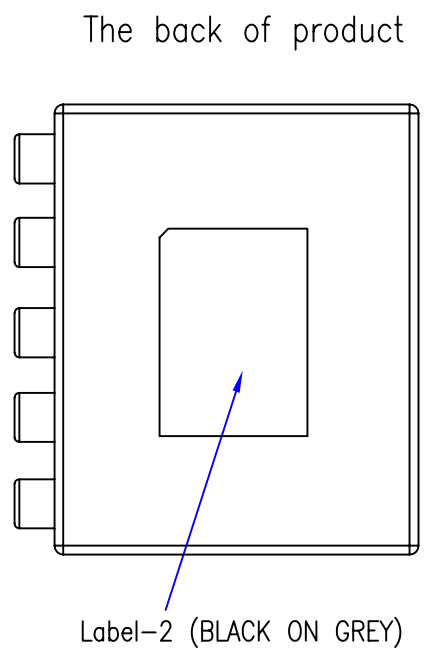
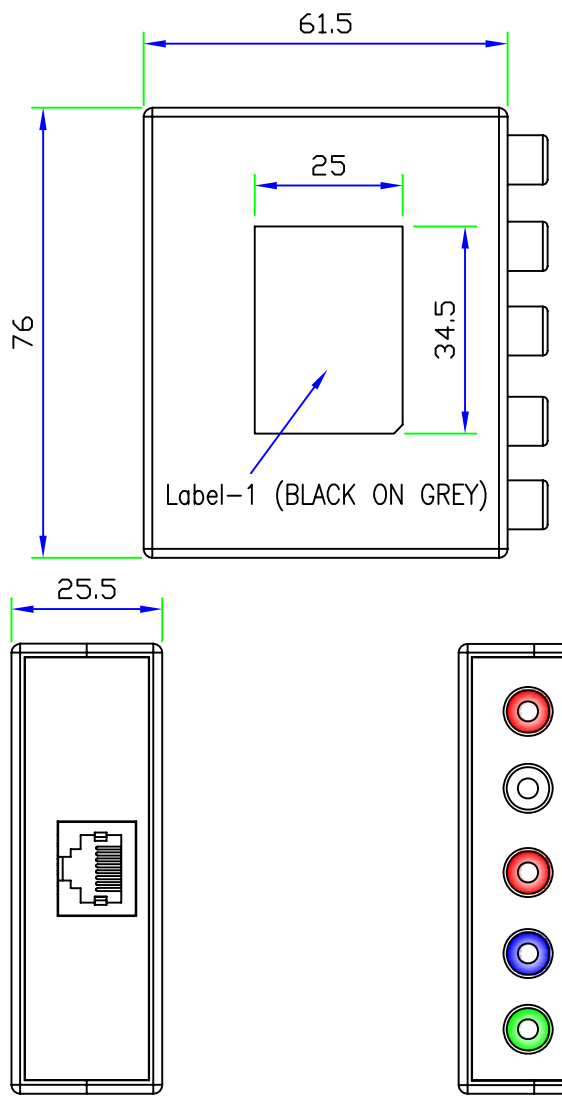


CUSTOMER: TNTUSA



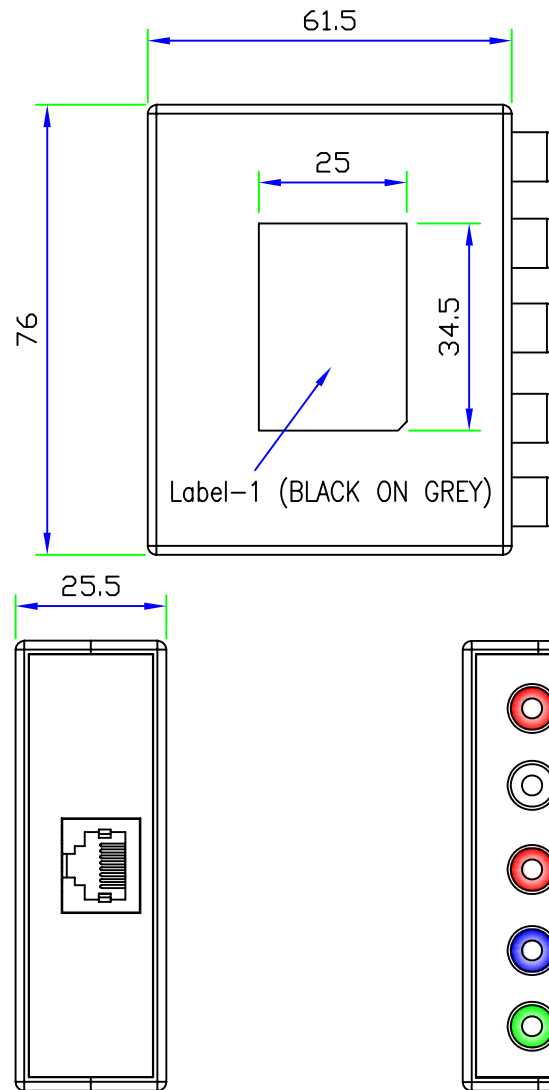
**Description:**

The perfect solution for connecting component video devices using UTP(Cat5/5e/6) cable, this Component Video (YPbPr) UTP Extender lets you extend signals up to 300ft./100m. R03-EXT-5RCA-BX is comprised of two extender units that can be used interchangeably: one is installed near the video signal source, the other to be placed near the desired display, up to an impressive 300ft./100m away. With no software or power adapter required, installation and setup is quick and hassle-free.

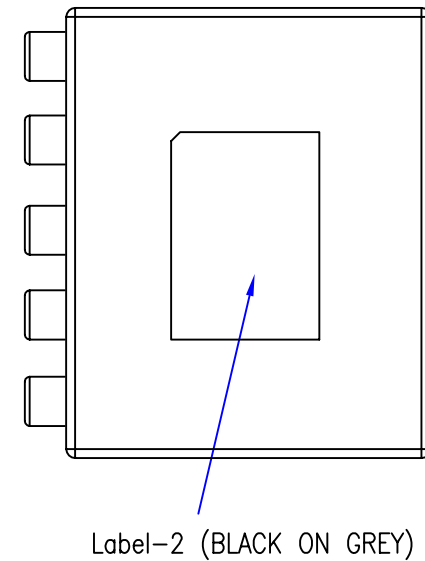
A	INITIAL RELEASE		07/13/10																											
REV	DESCRIPTION OF CHANGE		DATE																											
TOLERANCE		M/M	Tri-Net Technology, Inc. <a href="http://www.trinetusa.com">http://www.trinetusa.com</a>																											
.X	.015	.30																												
.XX	.010	.10																												
.XXX	.005	.05	<table border="1"> <tr> <td>SCALE</td> <td>NONE</td> <td rowspan="2"> </td> <td rowspan="2">REV</td> <td rowspan="2">A</td> </tr> <tr> <td>UNIT</td> <td>MM</td> </tr> <tr> <td>DRAWN BY</td> <td>LEO</td> <td>SHEET</td> <td>1/4</td> <td>DWG NO.</td> </tr> <tr> <td>CHECK BY</td> <td></td> <td>DATE</td> <td>07/13/10</td> <td>TNT-S101-E0067</td> </tr> <tr> <td>APPD BY</td> <td></td> <td>TITLE</td> <td colspan="2">COMPONENT VIDEO+STERE AUDIO(5RCA)</td> </tr> <tr> <td></td> <td></td> <td>PART NO.</td> <td colspan="2">R03-EXT-5RCA-BX</td> </tr> </table>	SCALE	NONE		REV	A	UNIT	MM	DRAWN BY	LEO	SHEET	1/4	DWG NO.	CHECK BY		DATE	07/13/10	TNT-S101-E0067	APPD BY		TITLE	COMPONENT VIDEO+STERE AUDIO(5RCA)				PART NO.	R03-EXT-5RCA-BX	
SCALE	NONE		REV	A																										
UNIT	MM																													
DRAWN BY	LEO	SHEET	1/4	DWG NO.																										
CHECK BY		DATE	07/13/10	TNT-S101-E0067																										
APPD BY		TITLE	COMPONENT VIDEO+STERE AUDIO(5RCA)																											
		PART NO.	R03-EXT-5RCA-BX																											



CUSTOMER: TNTUSA



The back of product



Features:

- No software or power adapter required for easy installation.
- Support up HDTV (.480p/720p/1080i)
- Works with UTP (Cat5/5e/6) cable.
- Shell color: Black

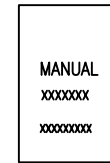
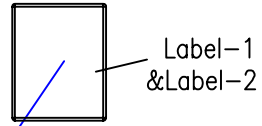
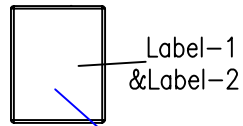
Applications

- To be used in home or commercial applications as a fast, and cost-effective means of connecting composite video equipment.
- Ideal for classrooms, projectors, convention facilities, and retail displays.

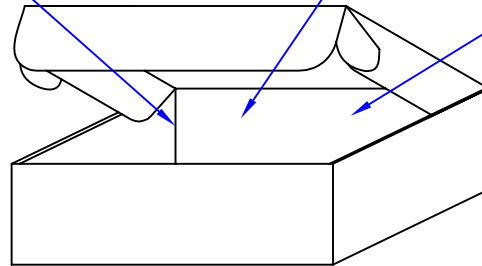
A	INITIAL RELEASE		07/13/10	
REV	DESCRIPTION OF CHANGE		DATE	
TOLERANCE		M/M		Tri-Net Technology, Inc. <a href="http://www.trinetusa.com">http://www.trinetusa.com</a>
INCHES				
.X	.015	.30		
.XX	.010	.10		SCALE NONE
.XXX	.005	.05		UNIT MM
DRAWN BY LEO		SHEET 2/4		DWG NO. REV A
CHECK BY		DATE 07/13/10		TNT-S101-E0067
APPD BY		TITLE		COMPONENT VIDEO+STERE AUDIO(5RCA)
		PART NO.		R03-EXT-5RCA-BX



CUSTOMER: TNTUSA



Owner's Manual  
(1pcs)



White Inner Box  
(1pcs)



Packaging Details:

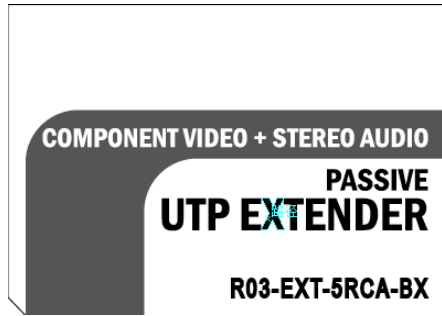
- 1) Stick the label-1 onto the Product's TOP.  
Label-2 onto the Product's Bottom.
- 2) Need to put owner's manual and power adapter inside the inner box
- 3) Stick the Label-3 onto this inner box.
- 4) Finally, pack the whole item using pyrocondensation film.
- 5) Inner box size: 85(L)X70(W)X55(H)MM
- 6) Outer carton size: 282(L)X260(W)X221(H)MM
- 7) Put 48pcs of inner boxes into an outer carton.

Label-2(34.5\*25mm)  
(BLACK ON GREY)

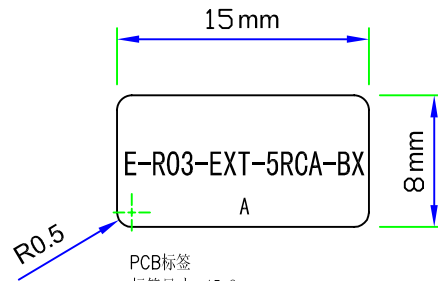
A	INITIAL RELEASE		07/13/10	
REV	DESCRIPTION OF CHANGE			DATE
TOLERANCE		M/M		Tri-Net Technology, Inc. <a href="http://www.trinetusa.com">http://www.trinetusa.com</a>
INCHES				
.X	.015	.30		
.XX	.010	.10		SCALE NONE
.XXX	.005	.05		UNIT MM
DRAWN BY LEO		SHEET 3/4		REV A
CHECK BY		DATE 07/13/10		DWG NO. TNT-S101-E0067
APPD BY		TITLE COMPONENT VIDEO+STERE AUDIO(5RCA)		PART NO. R03-EXT-5RCA-BX



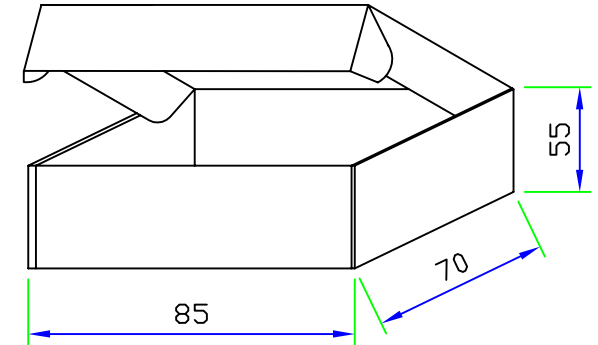
CUSTOMER: TNTUSA



Label-1(34.5\*25mm)  
 (BLACK ON GREY)



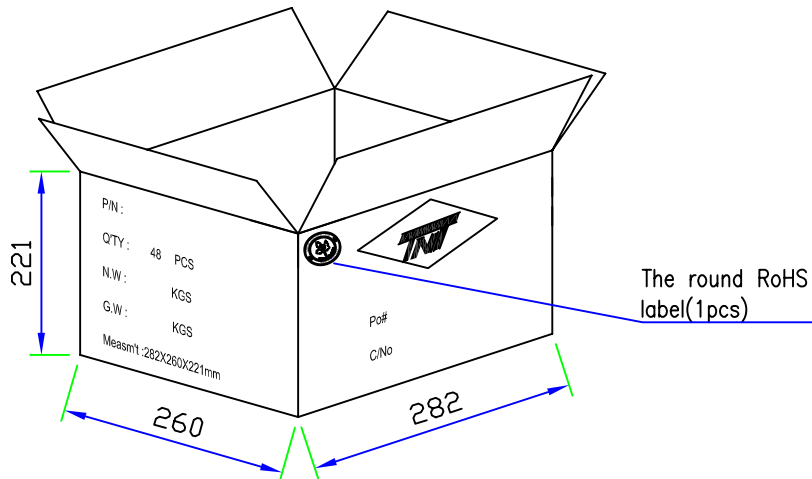
PCB标签  
 标签尺寸: 15x8mm  
 标签颜色: 白色  
 料号: LAB-E-R03-EXT-5RCA-BX-WH-A  
 成品料号: R03-EXT-5RCA-BX



White Inner Box



LABEL-3 90\*63MM



Outer Carton

A		INITIAL RELEASE		07/13/10	
REV	DESCRIPTION OF CHANGE			DATE	
TOLERANCE		M/M		TNT Tri-Net Technology, Inc.	
INCHES				http://www.trinetusa.com	
.X	.015	.30	SCALE	NONE	REV   A
.XX	.010	.10	UNIT	MM	SHEET 4/4 DWG NO. TNT-S101-E0067
.XXX	.005	.05	DATE	07/13/10	
DRAWN BY	LEO		TITLE		
CHECK BY	COMPONENT VIDEO+STEREO AUDIO(5RCA)				
APPD BY	PART NO. R03-EXT-5RCA-BX				

