

**Description:**

The perfect solution for connecting composite video devices using UTP(Cat5/5e/6) cable, this Composite Video UTP Extender lets you extend signals up to 300ft./100m. With no software or power adapter required, installation and setup is quick and hassle-free.

**Features:**

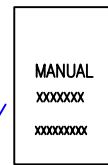
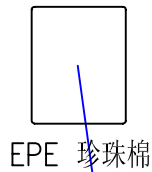
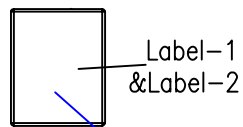
- No software or power adapter required for easy installation.
- Support up HDTV (.480p/720p/1080i)
- Works with UTP (Cat5/5e/6) cable.
- Shell color: Black

**Applications**

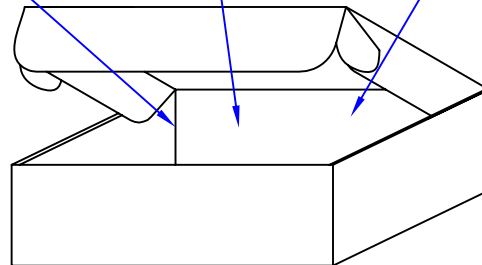
- To be used in home or commercial applications as a fast, and cost-effective means of connecting composite video equipment.
- Ideal for classrooms, projectors, convention facilities, and retail displays.



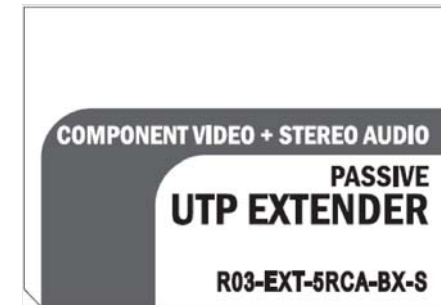
A		INITIAL RELEASE		02/21/11	
REV		DESCRIPTION OF CHANGE		DATE	
TOLERANCE		M/M		Tri-Net Technology, Inc. <a href="http://www.trinetusa.com">http://www.trinetusa.com</a>	
INCHES					
.X	.015	.30			
.XX	.010	.10		SCALE	NONE
.XXX	.005	.05		UNIT	MM
DRAWN BY		JON		SHEET	1/3
CHECK BY				DATE	02/21/11
APPD BY				DWG NO.	
				TITLE	
				COMPONENT VIDEO+STERE AUDIO(5RCA),ONE PIECE	
				PART NO.	
				R03-EXT-5RCA-BX-S	



Owener's Manual  
(1pcs)



White Inner Box  
(1pcs)



Label-1(34.5\*25mm)  
(BLACK ON GREY)



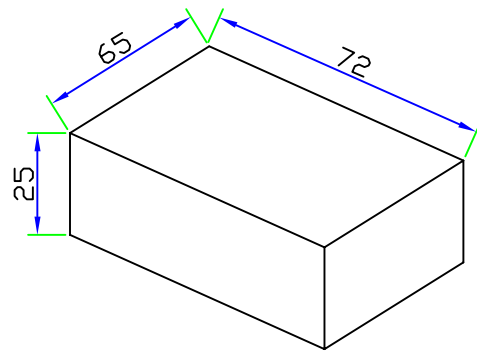
Label-2(34.5\*25mm)  
(BLACK ON GREY)

Packaging Details:

- 1) Stick the label-1 onto the Product's TOP.  
Label-2, Label-4 onto the Product's Bottom.
- 2) Need to put owner's manual inside the inner box
- 3) Stick the Label-3 onto this inner box.
- 4) Finally, pack the whole item using pyrocondensation film.
- 5) Inner box size: 92(L)X70(W)X55(H)MM
- 6) Outer carton size: 282(L)X260(W)X221(H)MM
- 7) Put 36pcs of inner boxes into an outer carton.

A	INITIAL RELEASE		02/21/11		
REV	DESCRIPTION OF CHANGE		DATE		
TOLERANCE		M/M		Tri-Net Technology, Inc. <a href="http://www.trinetusa.com">http://www.trinetusa.com</a>	
.X	.015	.30	SCALE		NONE
.XX	.010	.10	UNIT		MM
.XXX	.005	.05	SHEET	2/3	DWG NO.
DRAWN BY	JON		DATE	02/21/11	REV
CHECK BY			TITLE	COMPONENT VIDEO+STERE AUDIO(5RCA),ONE PIECE	
APPD BY			PART NO.	R03-EXT-5RCA-BX-S	

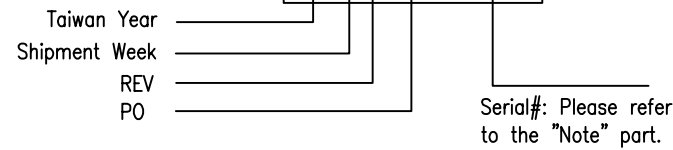




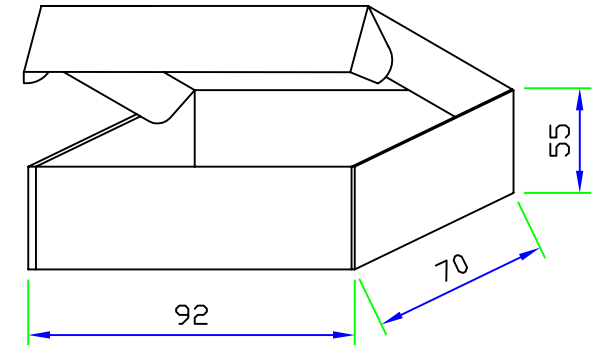
EPE 珍珠棉

Version Label

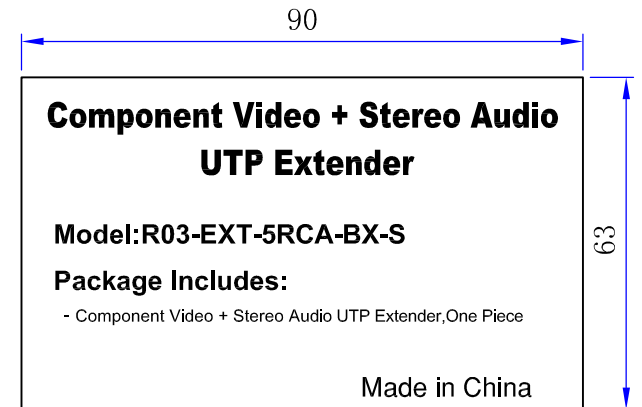
XXXXAXXXX00001



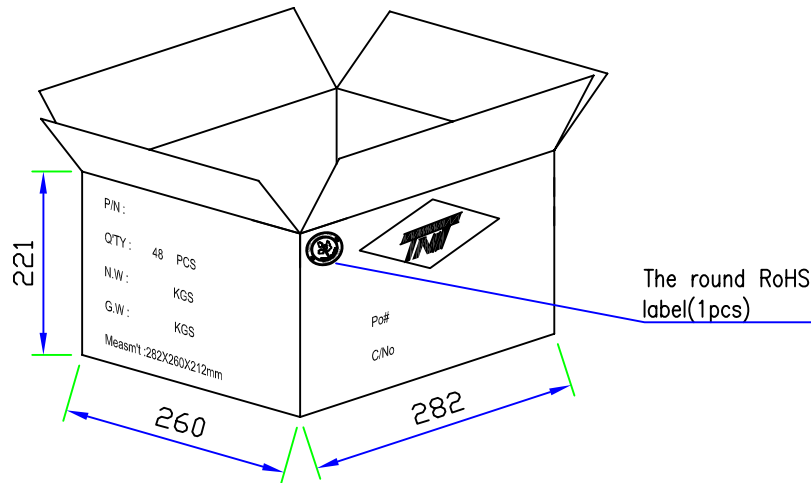
Label-4  
(18x6, Black on White)



White Inner Box



LABEL-3 90\*63MM



Outer Carton

A	INITIAL RELEASE		02/21/11	
REV	DESCRIPTION OF CHANGE		DATE	
TOLERANCE INCHES		M/M	TNT Tri-Net Technology, Inc. http://www.trinetusa.com	
.X	.015	.30	SCALE	NONE
.XX	.010	.10	UNIT	MM
.XXX	.005	.05	SHEET	3/3
DRAWN BY		JON	DATE	02/21/11
CHECK BY		TITLE COMPONENT VIDEO+STERE AUDIO(5RCA),ONE PIECE		
APPD BY		PART NO. R03-EXT-5RCA-BX-S		

