

Description:

The perfect solution for connecting component video devices using UTP(Cat5/5e/6) cable, this Component Video (YPbPr) UTP Extender lets you extend signals up to 300ft./100m. R03-EXT-4RCA-JP is comprised of two extender units that can be used interchangeably: one is installed near the video signal source, the other to be placed near the desired display, up to an impressive 300ft./100m away. With no software or power adapter required, installation and setup is quick and hassle-free.

Features:

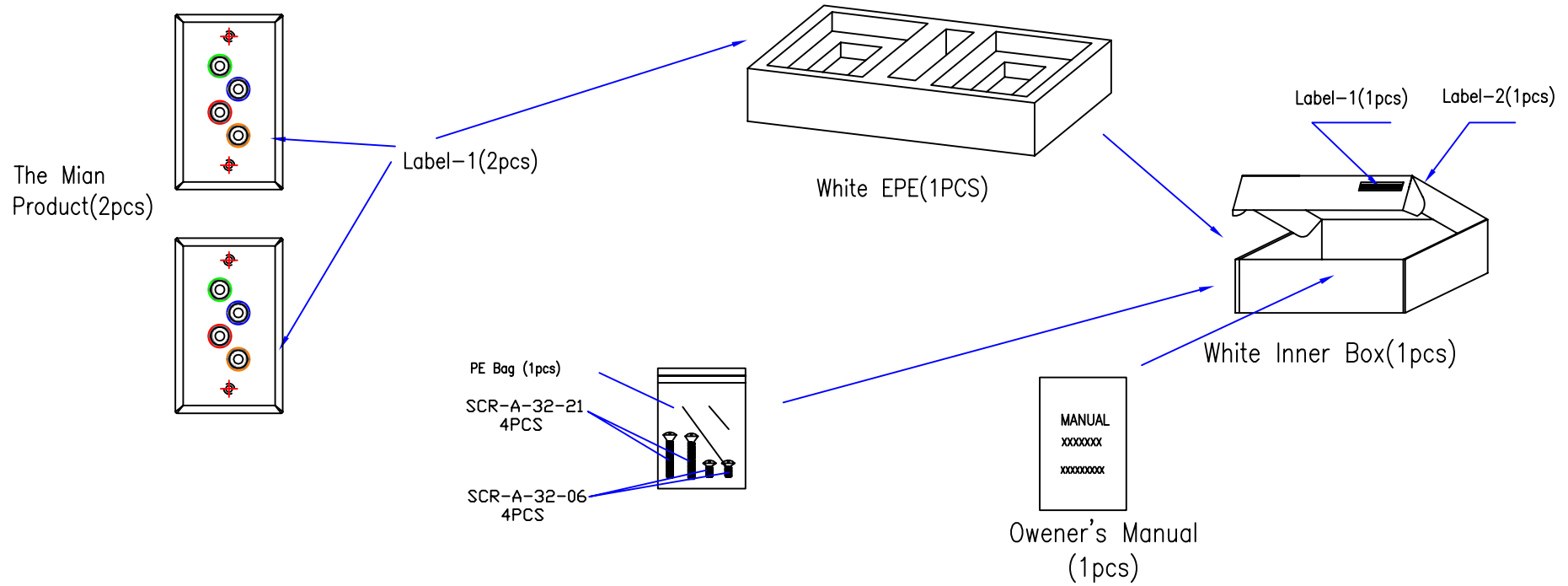
- No software or power adapter required for easy installation.
- Support up HDTV .(480p/720p/1080i)
- Works with UTP (Cat5/5e/6) cable.
- Shell color: White

Applications

- To be used in home or commercial applications as a fast, and cost-effective means of connecting composite video equipment.
- Ideal for classrooms, projectors, convention facilities, and retail displays.

A	INITIAL RELEASE		12/10/10	
REV	DESCRIPTION OF CHANGE			DATE
TOLERANCE		M/M		
INCHES		M/M		
.X	.015	.30	TNT Tri-Net Technology, Inc. http://www.trinetusa.com	
.XX	.010	.10	SCALE	NONE
.XXX	.005	.05	UNIT	MM
DRAWN BY		starl	SHEET	1/4
CHECK BY			DATE	12/10/10
APPD BY			DWG NO.	
TITLE			REV A	
PART NO.			R03-EXT-4RCA-JP	





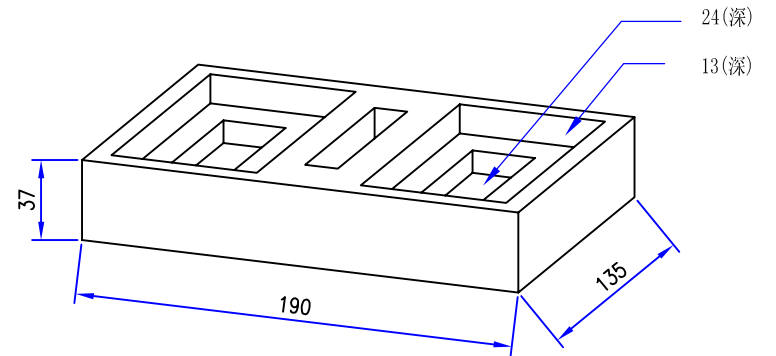
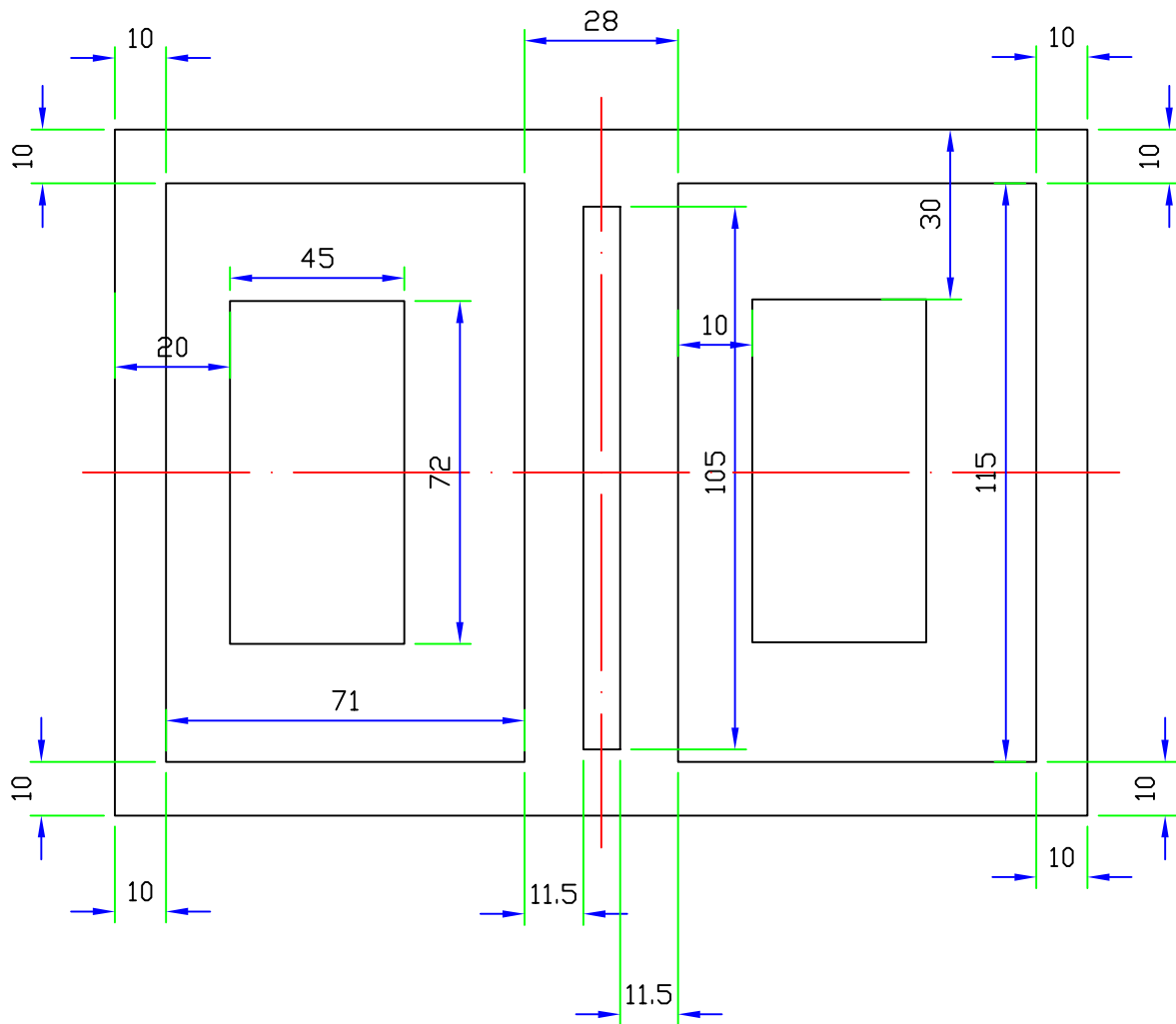
Packaging Details:

- 1) Stick the Label-1 onto the Product's Bottom.
- 2) Put the whole item, the enclosed 4pcs of screws (packing with a small PE bag) and owner's manual inside the inner box
- 3) Stick the Label-2 onto this inner box.
- 4) Inner box size: 201(L)X170(W)X57(H)MM
- 5) Outer carton size: 423(L)X365(W)X325(H)MM
- 6) Put 20pcs of inner boxes into an outer carton.

A	INITIAL RELEASE		12/10/10	
REV	DESCRIPTION OF CHANGE			DATE
TOLERANCE INCHES		M/M	TNT Tri-Net Technology, Inc. http://www.trinetusa.com	
.X	.015	.30	SCALE	NONE
.XX	.010	.10	UNIT	MM
.XXX	.005	.05	SHEET	2/4
DRAWN BY		starl	DATE	12/10/10
CHECK BY			TITLE	
APPD BY			COMPONENT VIDEO+DIGITAL AUDIO (4RCA)	
		PART NO. R03-EXT-4RCA-JP		



CUSTOMER: INTUSA



EPE-190-135-37

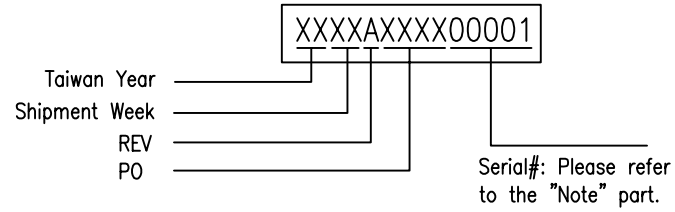
A	INITIAL RELEASE		12/10/10	
REV	DESCRIPTION OF CHANGE		DATE	
TOLERANCE		M/M		
INCHES		M/M		
.X	.015	.30	TNT Tri-Net Technology, Inc. http://www.trinetusa.com	
.XX	.010	.10	SCALE	NONE
.XXX	.005	.05	UNIT	MM
DRAWN BY		starl	SHEET	3/4
CHECK BY			DATE	12/10/10
APPD BY			DWG NO.	TNT-S101-E0046
		TITLE		
		COMPONENT VIDEO+DIGITAL AUDIO (4RCA)		
		PART NO.		
		R03-EXT-4RCA-JP		



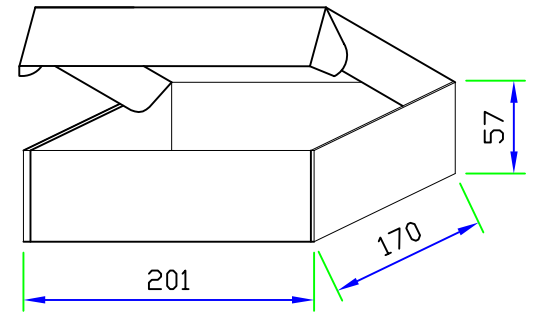
QP-012-02-G

CUSTOMER: INTUSA

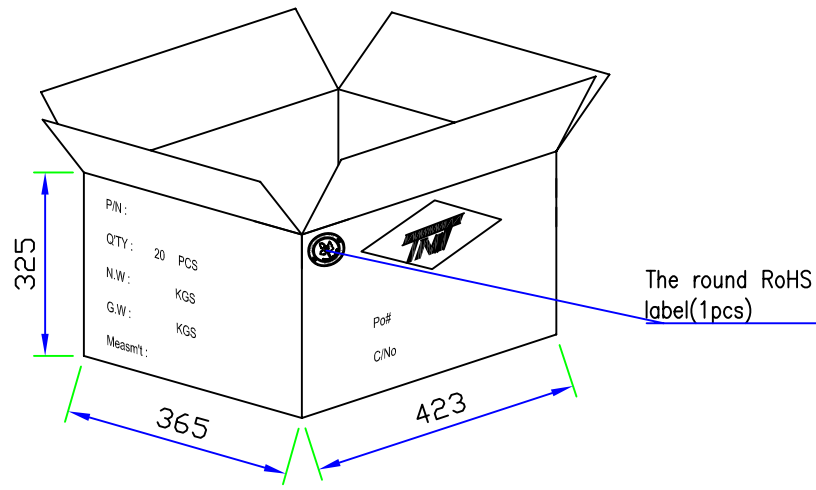
Version Label



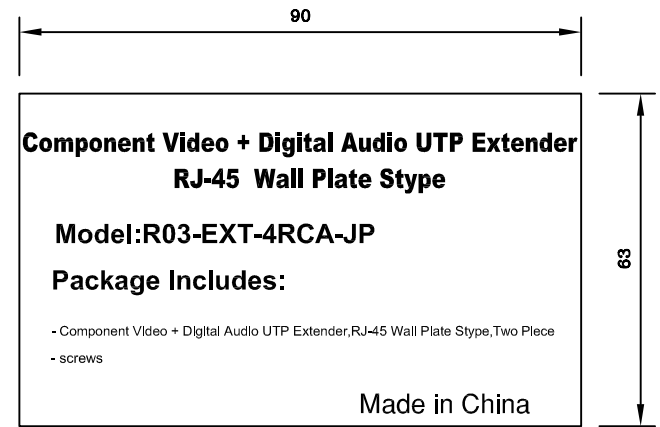
Label-1
(18x6, Black on White)



White Inner Box



Outer Carton



label-2
标签尺寸: 90x63mm
标签颜色: 黑白



A		INITIAL RELEASE		12/10/10	
REV		DESCRIPTION OF CHANGE		DATE	
TOLERANCE INCHES		M/M		TNT Tri-Net Technology, Inc. http://www.trinetusa.com	
.X	.015	.30	SCALE	NONE	REV A
.XX	.010	.10	UNIT	MM	
.XXX	.005	.05	SHEET	4/4	DWG NO.
		DATE	12/10/10		
DRAWN BY		starl		TITLE	
CHECK BY				COMPONENT VIDEO+DIGITAL AUDIO (4RCA)	
APPD BY				PART NO. R03-EXT-4RCA-JP	