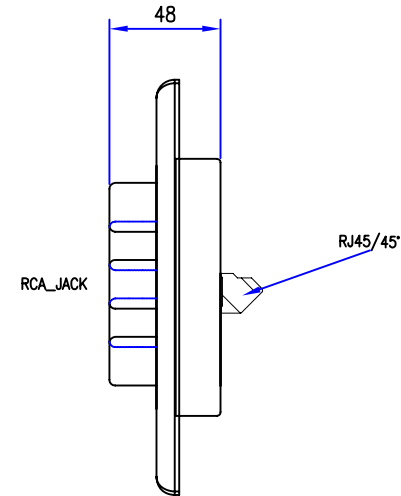
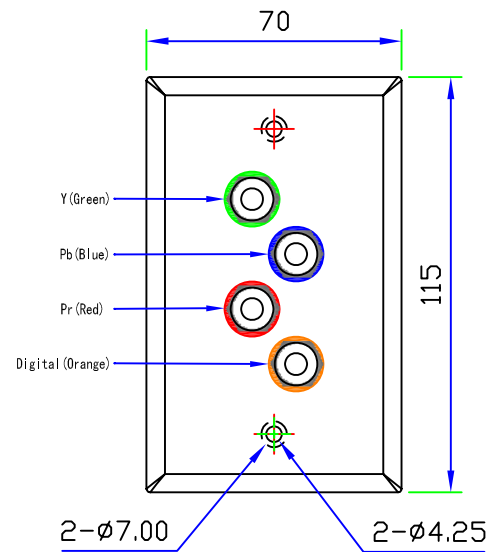


CUSTOMER: TNTUSA



Description:

The perfect solution for connecting component video devices using UTP(Cat5/5e/6) cable, this Component Video (YPbPr) UTP Extender lets you extend signals up to 300ft./100m. With no software or power adapter required, installation and setup is quick and hassle-free.

Features:

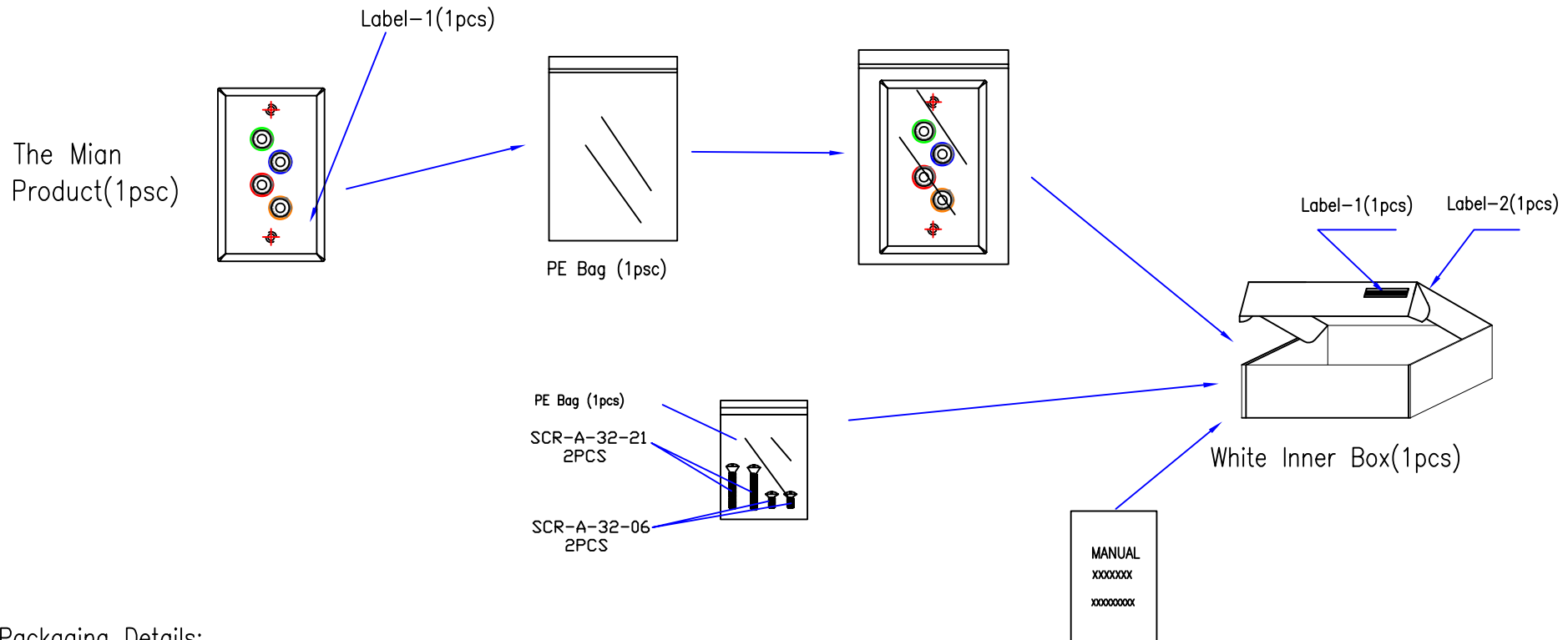
- No software or power adapter required for easy installation.
- Support up HDTV ,(480p/720p/1080i)
- Works with UTP (Cat5/5e/6) cable.
- Shell color: White

Applications

- To be used in home or commercial applications as a fast, and cost-effective means of connecting composite video equipment.
- Ideal for classrooms, projectors, convention facilities, and retail displays.

A	INITIAL RELEASE		12/10/10	
REV	DESCRIPTION OF CHANGE		DATE	
TOLERANCE		M/M		
.X	.015	.30	TNT Tri-Net Technology, Inc. http://www.trinetusa.com	
.XX	.010	.10	SCALE	NONE
.XXX	.005	.05	UNIT	MM
DRAWN BY		starl	SHEET	1/3
CHECK BY			DATE	12/10/10
APPD BY			DWG NO.	
		TITLE		
		COMPONENT VIDEO+DIGITAL AUDIO (4RCA)		
		PART NO.		
		R03-EXT-4RCA-JP-S		





Packaging Details:

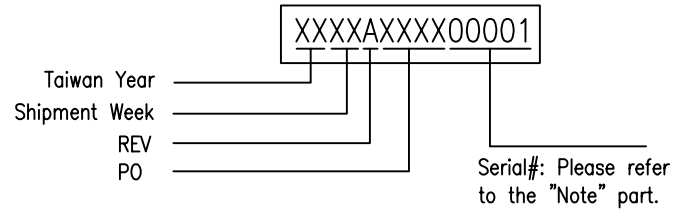
- 1) Stick the Label-1 onto the Product's Bottom.
- 2) Put the whole item, the enclosed 4pcs of screws (packing with a small PE bag) and owner's manual inside the inner box
- 3) Stick the Label-2 onto this inner box.
- 4) Finally, pack the whole item using pyrocondensation film.
- 5) Inner box size: 125MM (L) X 75MM (W) X 57MM(H)
- 6) Outer carton size: 405MM (L) X 370MM (W) X 185MM (H)
- 7) Put 30pcs of inner boxes into an outer carton.

Owner's Manual
(1pcs)

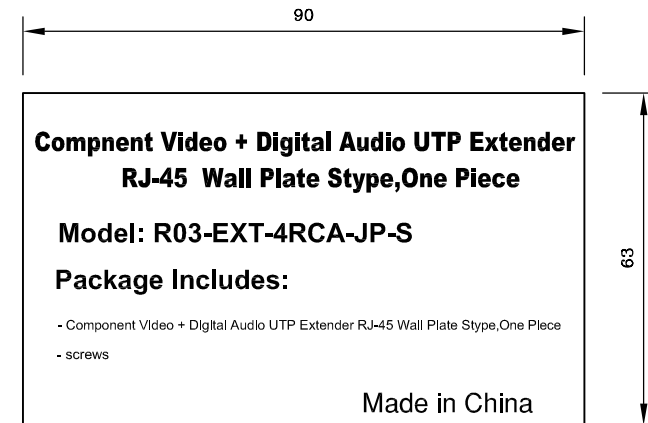
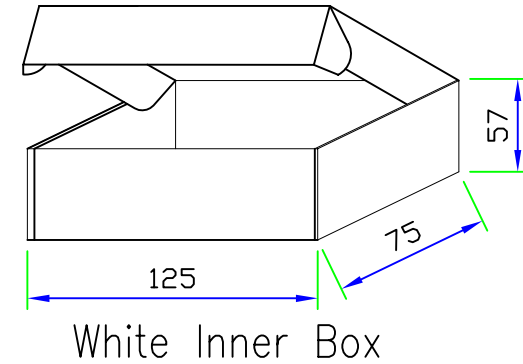
A		INITIAL RELEASE		12/10/10	
REV		DESCRIPTION OF CHANGE		DATE	
TOLERANCE INCHES		M/M		Tri-Net Technology, Inc. http://www.trinetusa.com	
.X	.015	.30	SCALE	NONE	REV A
.XX	.010	.10	UNIT	MM	
.XXX	.005	.05	SHEET	2/3	
DRAWN BY		starl		DATE 12/10/10	
CHECK BY				TITLE packing-1	
APPD BY				PART NO. R03-EXT-4RCA-JP-S	



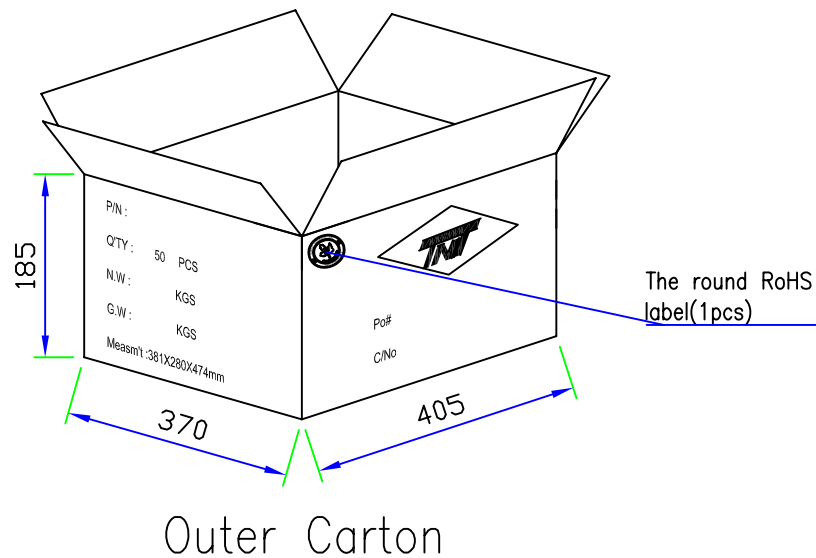
Version Label



Label-1
(18x6, Black on White)



Label-2
标签尺寸: 90x63mm
标签颜色: 黑白



A	INITIAL RELEASE		12/10/10	
REV	DESCRIPTION OF CHANGE		DATE	
TOLERANCE INCHES		M/M		Tri-Net Technology, Inc. http://www.trinetusa.com
.X	.015	.30	SCALE NONE	
.XX	.010	.10	UNIT MM	
.XXX	.005	.05	SCALE NONE	REV A
DRAWN BY	starl		SHEET 3/3	DWG NO.
CHECK BY			DATE 12/10/10	TITLE
APPD BY			packing-2	
PART NO.			R03-EXT-4RCA-JP-S	