

Description:

The perfect solution for connecting component video devices using UTP(Cat5/5e/6) cable, this Component Video (YPbPr) UTP Extender lets you extend signals up to 300ft./100m. R03-EXT-RCA-FP is comprised of two extender units that can be used interchangeably: one is installed near the video signal source, the other to be placed near the desired display, up to an impressive 300ft./100m away. With no software or power adapter required, installation and setup is quick and hassle-free.

Features:

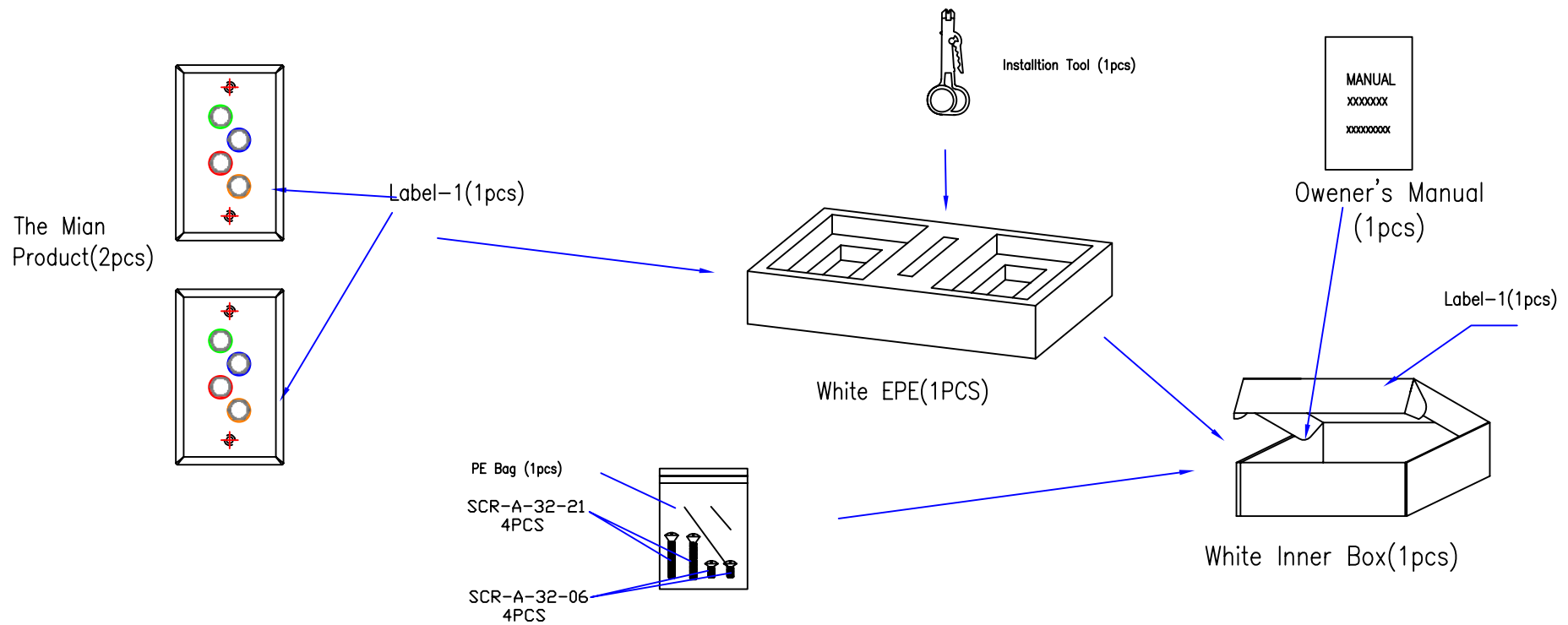
- No software or power adapter required for easy installation.
- Support up HDTV .(480p/720p/1080i)
- Works with UTP (Cat5/5e/6) cable.
- Shell color: White

Applications

- To be used in home or commercial applications as a fast, and cost-effective means of connecting composite video equipment.
- Ideal for classrooms, projectors, convention facilities, and retail displays.

A	INITIAL RELEASE		02/04/10	
REV	DESCRIPTION OF CHANGE			DATE
TOLERANCE		M/M		
.X	.015	.30	TNT Tri-Net Technology, Inc. http://www.trinetusa.com	
.XX	.010	.10	SCALE	NONE
.XXX	.005	.05	UNIT	MM
DRAWN BY		starl	SHEET	1/4
CHECK BY			DATE	02/04/10
APPD BY			DWG NO.	
TITLE			REV A	
PART NO.			R03-EXT-4RCA-FP	



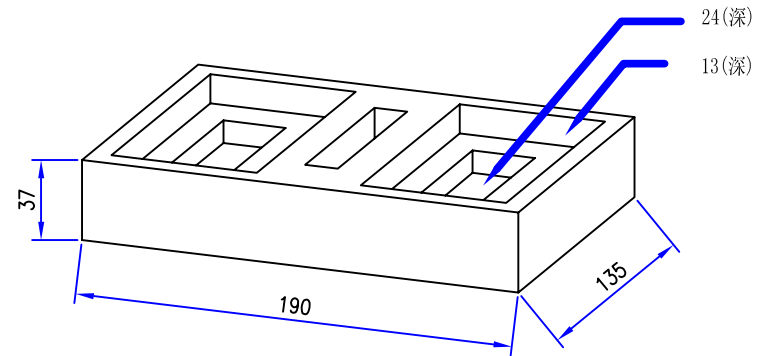
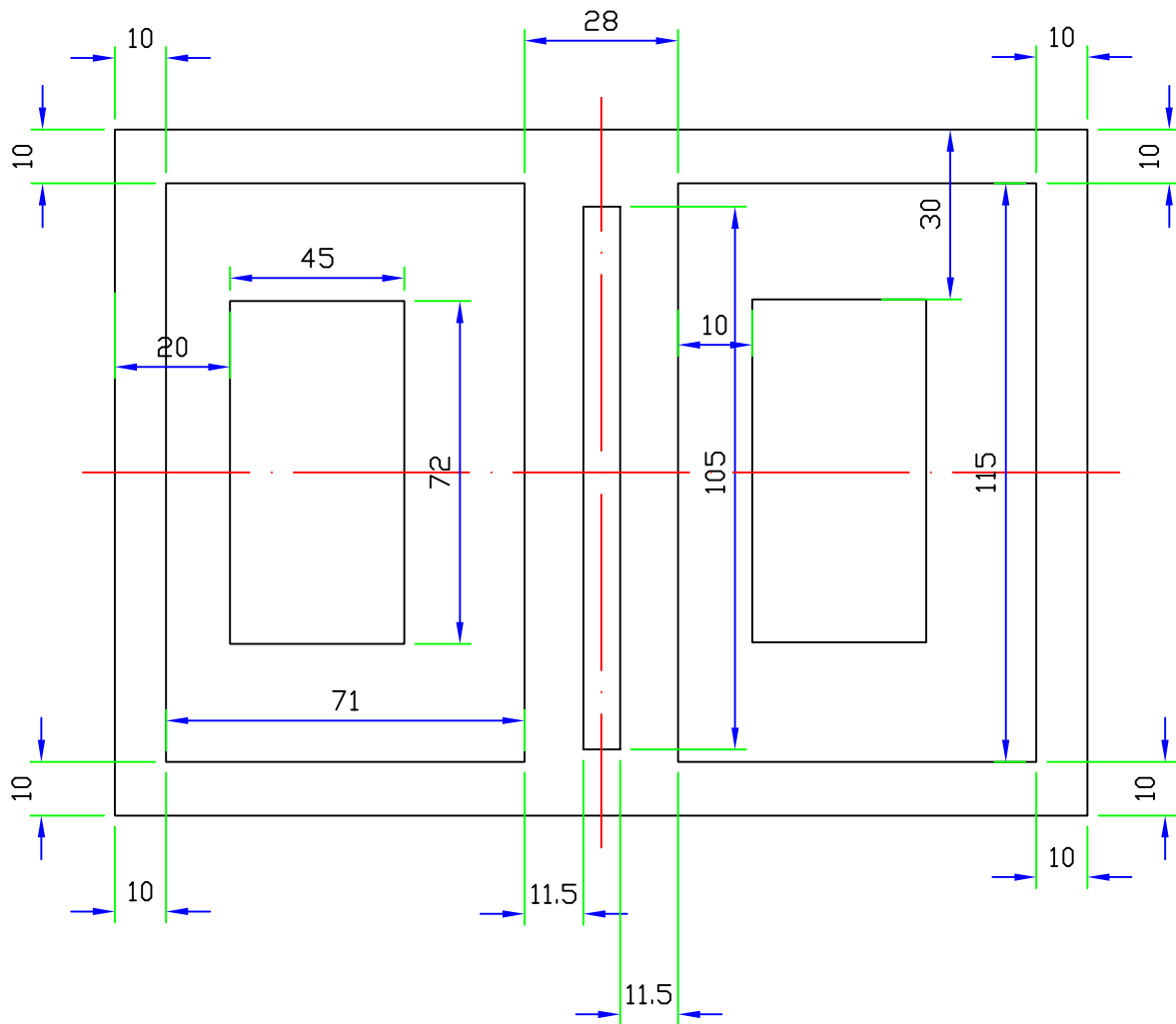


Packaging Details:

- 1) Stick the Label-1 onto the Product's Bottom.
- 2) Put the whole item, the Installation Tool, the enclosed 4pcs of screws (packing with a small PE bag) and owner's manual inside the inner box
- 3) Stick the Label-2 onto this inner box.
- 4) Finally, pack the whole item using pyrocondensation film.
- 5) Inner box size: 200(L)X140(W)X42(H)MM
- 6) Outer carton size: 412(L)X292(W)X230(H)MM
- 7) Put 20pcs of inner boxes into an outer carton. Need to put 4pcs of Overpack Labels onto the main/side marks portion of the outer carton.

A		INITIAL RELEASE		02/04/10	
REV		DESCRIPTION OF CHANGE		DATE	
TOLERANCE INCHES		M/M		TNT Tri-Net Technology, Inc. http://www.trinetusa.com	
.X	.015	.30	SCALE	NONE	REV A
.XX	.010	.10	UNIT	MM	
.XXX	.005	.05	SHEET	2/4	
DRAWN BY		starl		DATE	02/04/10
CHECK BY				TITLE	
APPD BY				PART NO.	
				R03-EXT-4RCA-FP	





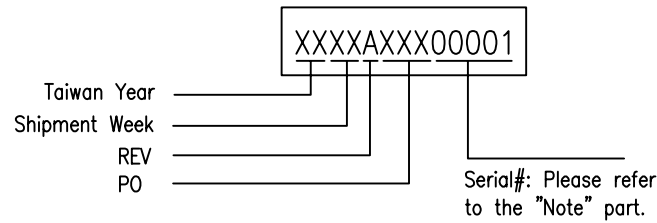
EPE-190-135-37

A	INITIAL RELEASE		02/04/10	
REV	DESCRIPTION OF CHANGE			DATE
TOLERANCE		M/M		
INCHES				
.X	.015	.30	TNT Tri-Net Technology, Inc. http://www.trinetusa.com	
.XX	.010	.10	SCALE	NONE
.XXX	.005	.05	UNIT	MM
DRAWN BY		starl	SHEET	3/4
CHECK BY			DATE	02/04/10
APPD BY			DWG NO.	
		TITLE		
		COMPONENT VIDEO+DIGITAL AUDIO (4RCA)		
		PART NO.		
		R03-EXT-4RCA-FP		

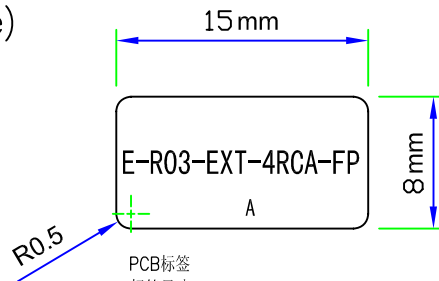


QP-012-02-G

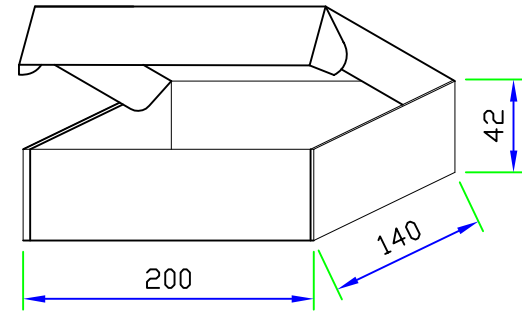
Version Label (Label-1)



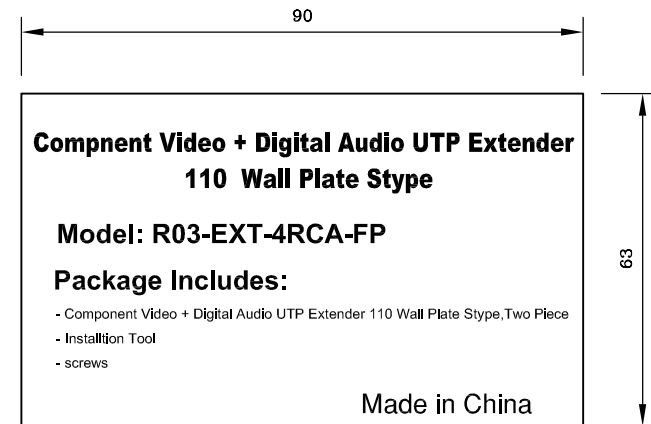
(18x6, Black on White)



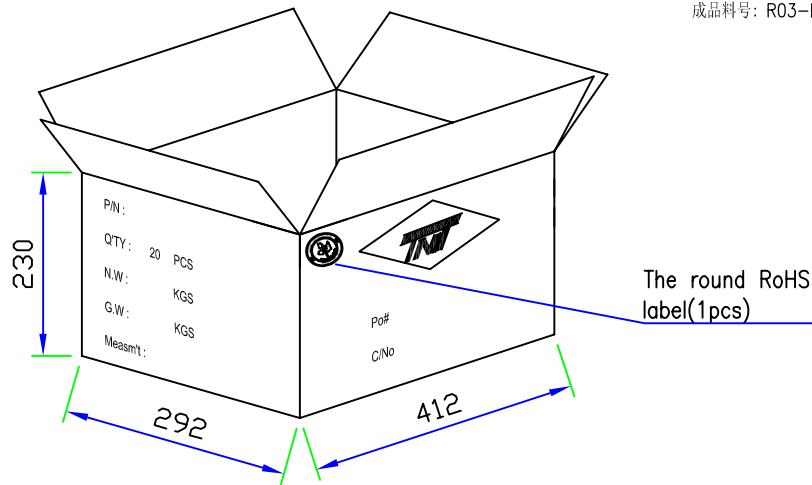
PCB标签
标签尺寸: 15x8mm
标签颜色: 兰色
料号: LAB-E-R03-EXT-4RCA-FP-BL-A
成品料号: R03-EXT-4RCA-FP



White Inner Box



label-2
标签尺寸: 90x63mm
标签颜色: 黑白



Outer Carton



A	INITIAL RELEASE		02/04/10	
REV	DESCRIPTION OF CHANGE			DATE
TOLERANCE INCHES		M/M		Tri-Net Technology, Inc. http://www.trinetusa.com
.X	.015	.30	SCALE NONE	
.XX	.010	.10	UNIT MM	
.XXX	.005	.05	SCALE NONE	REV A
DRAWN BY	starl		SHEET 4/4	DWG NO.
CHECK BY			DATE 02/04/10	
APPD BY			TITLE COMPONENT VIDEO+DIGITAL AUDIO (4RCA)	
			PART NO. R03-EXT-4RCA-FP	