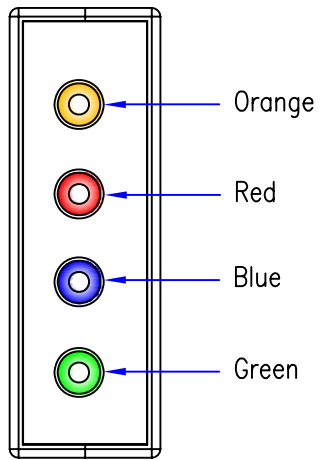
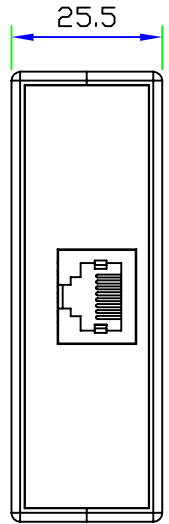
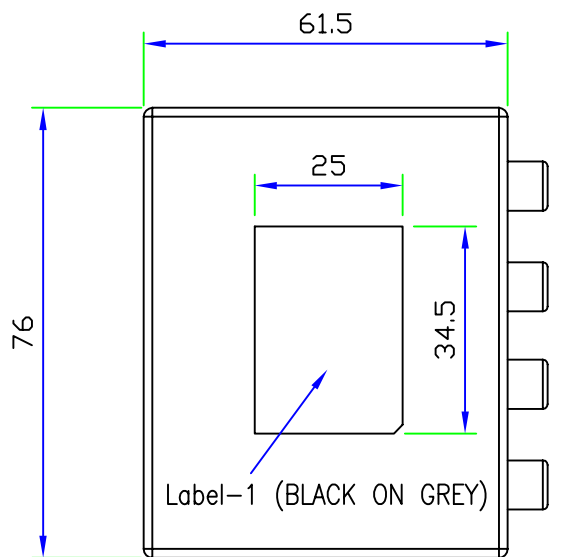
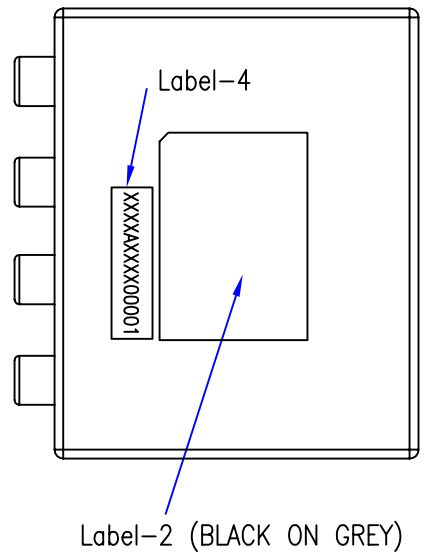


CUSTOMER: TNTUSA



The back of product



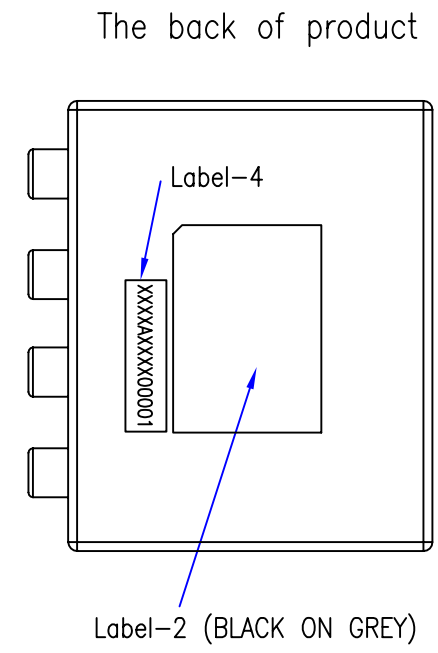
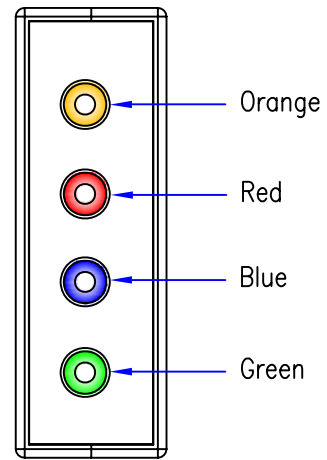
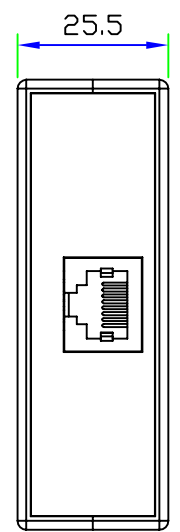
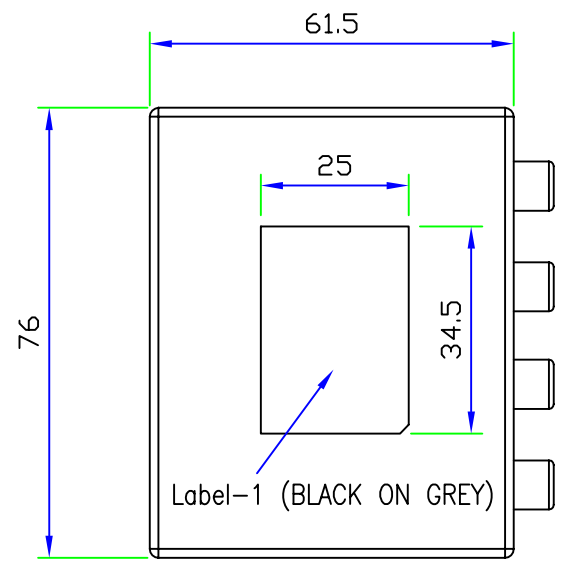
Description:

The perfect solution for connecting component video devices using UTP(Cat5/5e/6) cable, this component Video UTP Extender lets you extend signals up to 300ft./100m. R03-EXT-4RCA-BX is comprised of two extender units that can be used interchangeably: one is installed near the video signal source, the other to be placed near the desired display, up to an impressive 300ft./100m away. With no software or power adapter required, installation and setup is quick and hassle-free.

B	ADD PRODUCT LABEL		10/29/10							
A	INITIAL RELEASE		07/13/10							
REV	DESCRIPTION OF CHANGE		DATE							
TOLERANCE		M/M	Tri-Net Technology, Inc. http://www.trinetusa.com							
INCHES										
.X	.015	.30								
.XX	.010	.10								
.XXX	.005	.05	<table border="1"> <tr> <td>SCALE</td> <td>NONE</td> <td rowspan="2"> </td> <td>REV</td> <td>B</td> </tr> <tr> <td>UNIT</td> <td>MM</td> </tr> </table>	SCALE	NONE		REV	B	UNIT	MM
SCALE	NONE		REV	B						
UNIT	MM									
DRAWN BY	LEO		<table border="1"> <tr> <td>SHEET</td> <td>1/4</td> <td>DWG NO.</td> </tr> <tr> <td>DATE</td> <td>10/29/10</td> <td>TNT-S101-E0062</td> </tr> </table>	SHEET	1/4	DWG NO.	DATE	10/29/10	TNT-S101-E0062	
SHEET	1/4	DWG NO.								
DATE	10/29/10	TNT-S101-E0062								
CHECK BY	TITLE COMPONENT VIDEO+DIGITAL AUDIO(4RCA)									
APPD BY	PART NO. R03-EXT-4RCA-BX									



CUSTOMER: TNTUSA



Features:

- No software or power adapter required for easy installation.
- Support up HDTV (.480p/720p/1080i)
- Works with UTP (Cat5/5e/6) cable.
- Shell color: Black

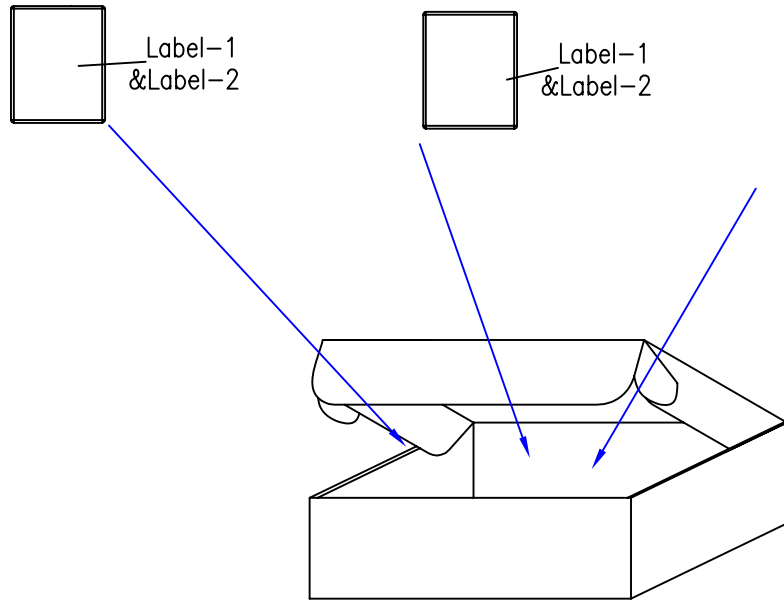
Applications

- To be used in home or commercial applications as a fast, and cost-effective means of connecting composite video equipment.
- Ideal for classrooms, projectors, convention facilities, and retail displays.

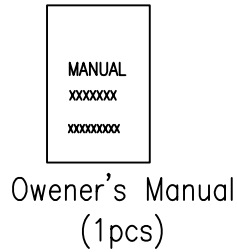
B	ADD PRODUCT LABEL		10/29/10
A	INITIAL RELEASE		07/13/10
REV	DESCRIPTION OF CHANGE		DATE
TOLERANCE		M/M	Tri-Net Technology, Inc. http://www.trinetusa.com
.X	.015	.30	
.XX	.010	.10	
.XXX	.005	.05	
DRAWN BY	LEO	SHEET	2/4
CHECK BY		DATE	10/29/10
APPD BY		TITLE	COMPONENT VIDEO+DIGITAL AUDIO(4RCA)
		PART NO.	R03-EXT-4RCA-BX



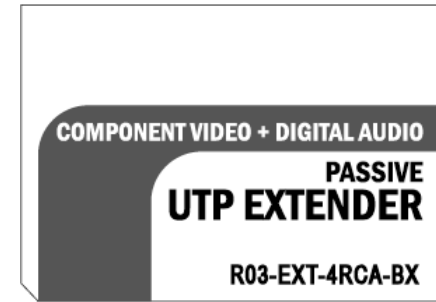
CUSTOMER: TNTUSA



White Inner Box
(1pcs)



Owner's Manual
(1pcs)



Label-1(34.5*25mm)
(BLACK ON GREY)



Label-2(34.5*25mm)
(BLACK ON GREY)

Packaging Details:

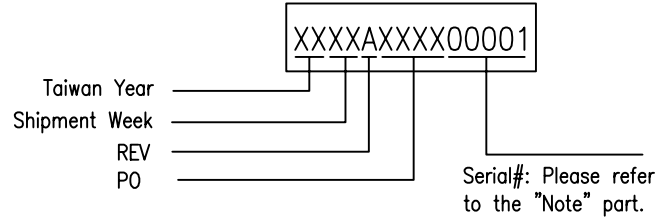
- 1) Stick the label-1 onto the Product's TOP.
Label-2 onto the Product's Bottom.
- 2) Need to put owner's manual inside the inner box
- 3) Stick the Label-3 onto this inner box.
- 4) Finally, pack the whole item using pyrocondensation film.
- 5) Inner box size: 92(L)X70(W)X55(H)MM
- 6) Outer carton size: 282(L)X260(W)X221(H)MM
- 7) Put 36pcs of inner boxes into an outer carton.

B	ADD PRODUCT LABEL		10/29/10
A	INITIAL RELEASE		07/13/10
REV	DESCRIPTION OF CHANGE		DATE
TOLERANCE		Tri-Net Technology, Inc.	
INCHES		M/M	
.X	.015	.30	http://www.trinetusa.com
.XX	.010	.10	
.XXX	.005	.05	
SCALE	NONE		REV B
UNIT	MM		
SHEET	3/4	DWG NO.	
DATE	10/29/10	TNT-S101-E0062	
DRAWN BY	LEO	TITLE	
CHECK BY		COMPONENT VIDEO+DIGITAL AUDIO(4RCA)	
APPD BY		PART NO.	R03-EXT-4RCA-BX

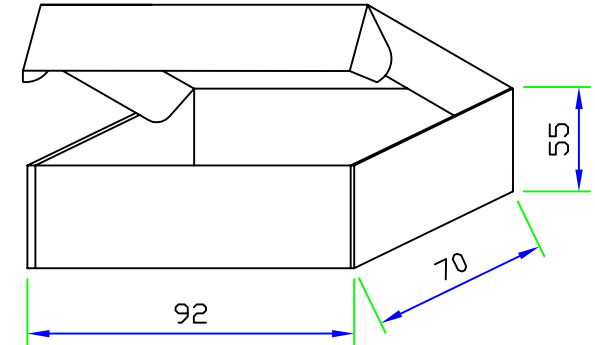


CUSTOMER: TNTUSA

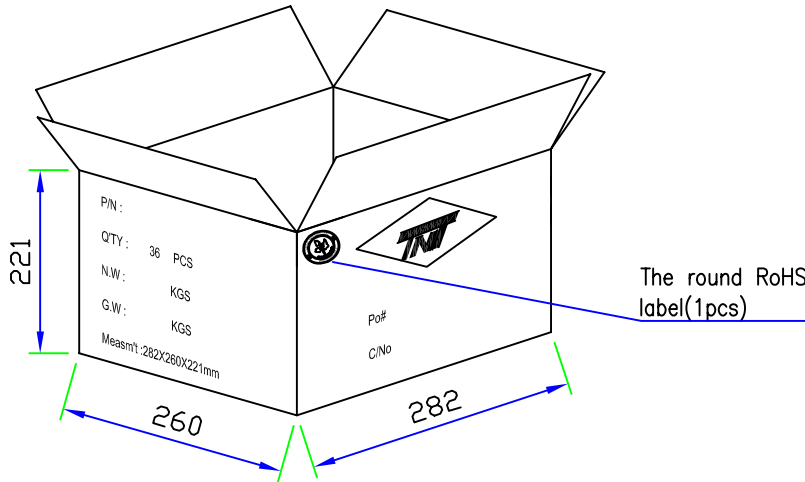
Version Label (Label-4)



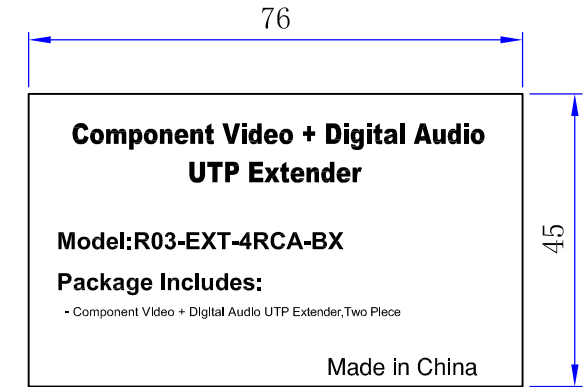
(18x6, Black on White)



White Inner Box



Outer Carton



LABEL-3 76*45MM

B	ADD PRODUCT LABEL		10/29/10
A	INITIAL RELEASE		07/13/10
REV	DESCRIPTION OF CHANGE		DATE
TOLERANCE INCHES		M/M	Tri-Net Technology, Inc. http://www.trinetusa.com
.X	.015	.30	
.XX	.010	.10	
.XXX	.005	.05	
SCALE		NONE	REV B
UNIT		MM	
SHEET		4/4	DWG NO. TNT-S101-E0062
DATE		10/29/10	
DRAWN BY		LEO	TITLE COMPONENT VIDEO+DIGITAL AUDIO(4RCA)
CHECK BY			
APPD BY			
PART NO.		R03-EXT-4RCA-BX	

