

**Features:**

- No software or power adapter required for easy installation.
- Support up HDTV (.480p/720p/1080i)
- Works with UTP (Cat5/5e/6) cable.
- Shell color: Black

**Applications**

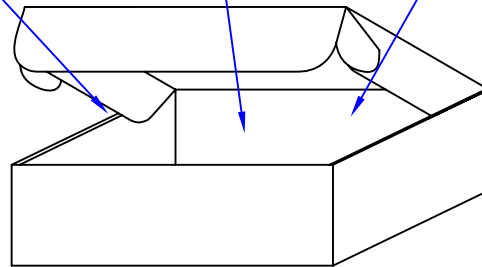
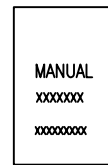
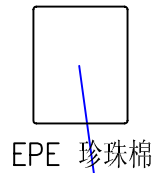
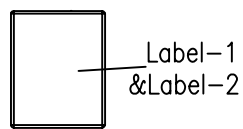
- To be used in home or commercial applications as a fast, and cost-effective means of connecting composite video equipment.
- Ideal for classrooms, projectors, convention facilities, and retail displays.

**Description:**

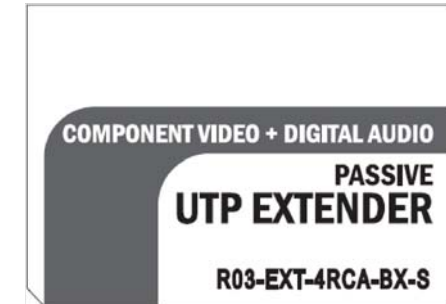
The perfect solution for connecting composite video devices using UTP(Cat5/5e/6) cable, this Composite Video UTP Extender lets you extend signals up to 300ft./100m. With no software or power adapter required, installation and setup is quick and hassle-free.

A	INITIAL RELEASE		02/21/11								
REV	DESCRIPTION OF CHANGE		DATE								
TOLERANCE		M/M		Tri-Net Technology, Inc. <a href="http://www.trinetusa.com">http://www.trinetusa.com</a>							
INCHES											
.X	.015	.30									
.XX	.010	.10									
.XXX	.005	.05		<table border="1"> <tr> <td>SCALE</td> <td>NONE</td> <td rowspan="2"> </td> <td rowspan="2">REV</td> <td rowspan="2">A</td> </tr> <tr> <td>UNIT</td> <td>MM</td> </tr> </table>	SCALE	NONE		REV	A	UNIT	MM
SCALE	NONE		REV	A							
UNIT	MM										
DRAWN BY	JON		SHEET	1/3							
			DATE	02/21/11							
CHECK BY			TITLE								
APPD BY			COMPONENT VIDEO+DIGITAL AUDIO(4RCA),ONE PIECE								
			PART NO.								
			R03-EXT-4RCA-BX-S								





White Inner Box  
(1pcs)



Label-1(34.5\*25mm)  
(BLACK ON GREY)



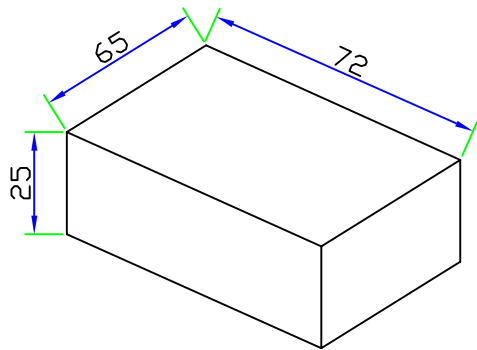
Label-2(34.5\*25mm)  
(BLACK ON GREY)

Packaging Details:

- 1) Stick the label-1 onto the Product's TOP.  
Label-2, Label-4 onto the Product's Bottom.
- 2) Need to put owner's manual and power adapter inside the inner box
- 3) Stick the Label-3 onto this inner box.
- 4) Finally, pack the whole item using pyrocondensation film.
- 5) Inner box size: 92(L)X70(W)X55(H)MM
- 6) Outer carton size: 282(L)X260(W)X221(H)MM
- 7) Put 36pcs of inner boxes into an outer carton.



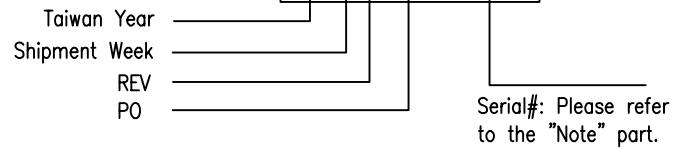
A	INITIAL RELEASE		02/21/11	
REV	DESCRIPTION OF CHANGE		DATE	
TOLERANCE		TNT Tri-Net Technology, Inc. <a href="http://www.trinetusa.com">http://www.trinetusa.com</a>		
INCHES		M/M		
.X	.015	.30	SCALE	NONE
.XX	.010	.10	UNIT	MM
.XXX	.005	.05	SHEET	2/3
DRAWN BY	JON		DATE	02/21/11
CHECK BY			TITLE	COMPONENT VIDEO+DIGITAL AUDIO(4RCA),ONE PIECE
APPD BY			PART NO.	R03-EXT-4RCA-BX-S



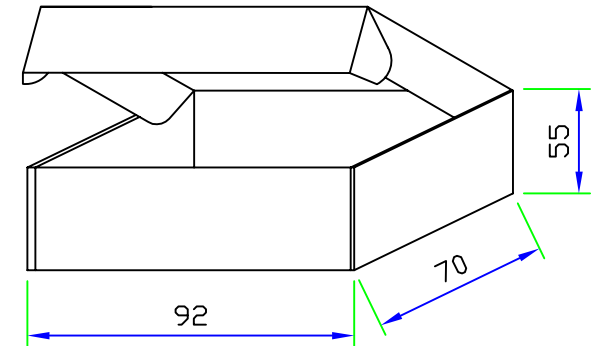
EPE 珍珠棉

Version Label

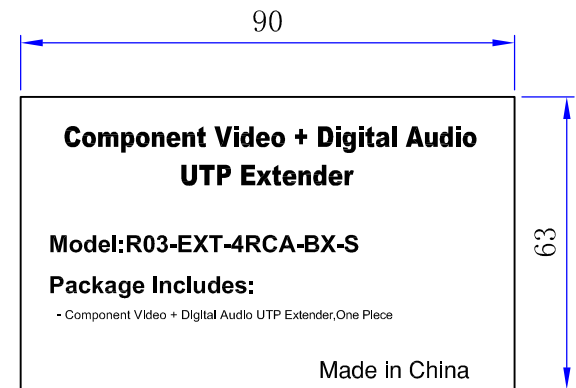
XXXXXXXX00001



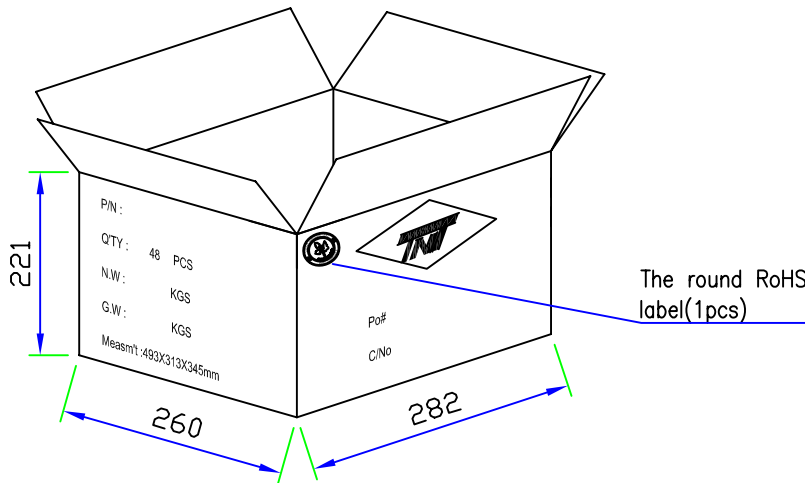
Label-4  
(18x6, Black on White)



White Inner Box



LABEL-3 90\*63MM



Outer Carton

A	INITIAL RELEASE		02/21/11	
REV	DESCRIPTION OF CHANGE		DATE	
TOLERANCE		Tri-Net Technology, Inc.		
INCHES		M/M		
.X	.015	.30	http://www.trinetusa.com	
.XX	.010	.10	SCALE	NONE
.XXX	.005	.05	UNIT	MM
DRAWN BY		JON	SHEET	3/3
CHECK BY			DATE	02/21/11
APPD BY			DWG NO.	
		TITLE		
		COMPONENT VIDEO+DIGITAL AUDIO(4RCA),ONE PIECE		
		PART NO.		
		R03-EXT-4RCA-BX-S		

