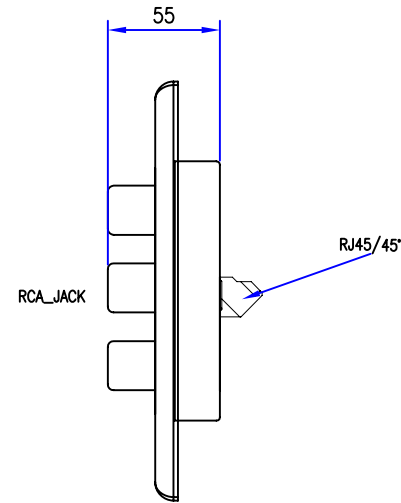
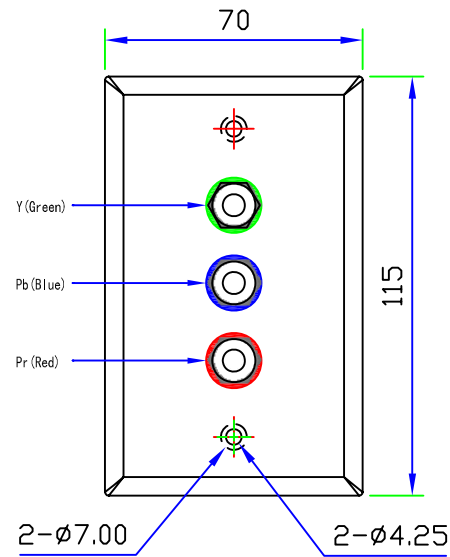


CUSTOMER: TNTUSA



### Description:

The perfect solution for connecting component video devices using UTP(Cat5/5e/6) cable, this Component Video (YPbPr) UTP Extender lets you extend signals up to 300ft./100m. With no software or power adapter required, installation and setup is quick and hassle-free.

### Features:

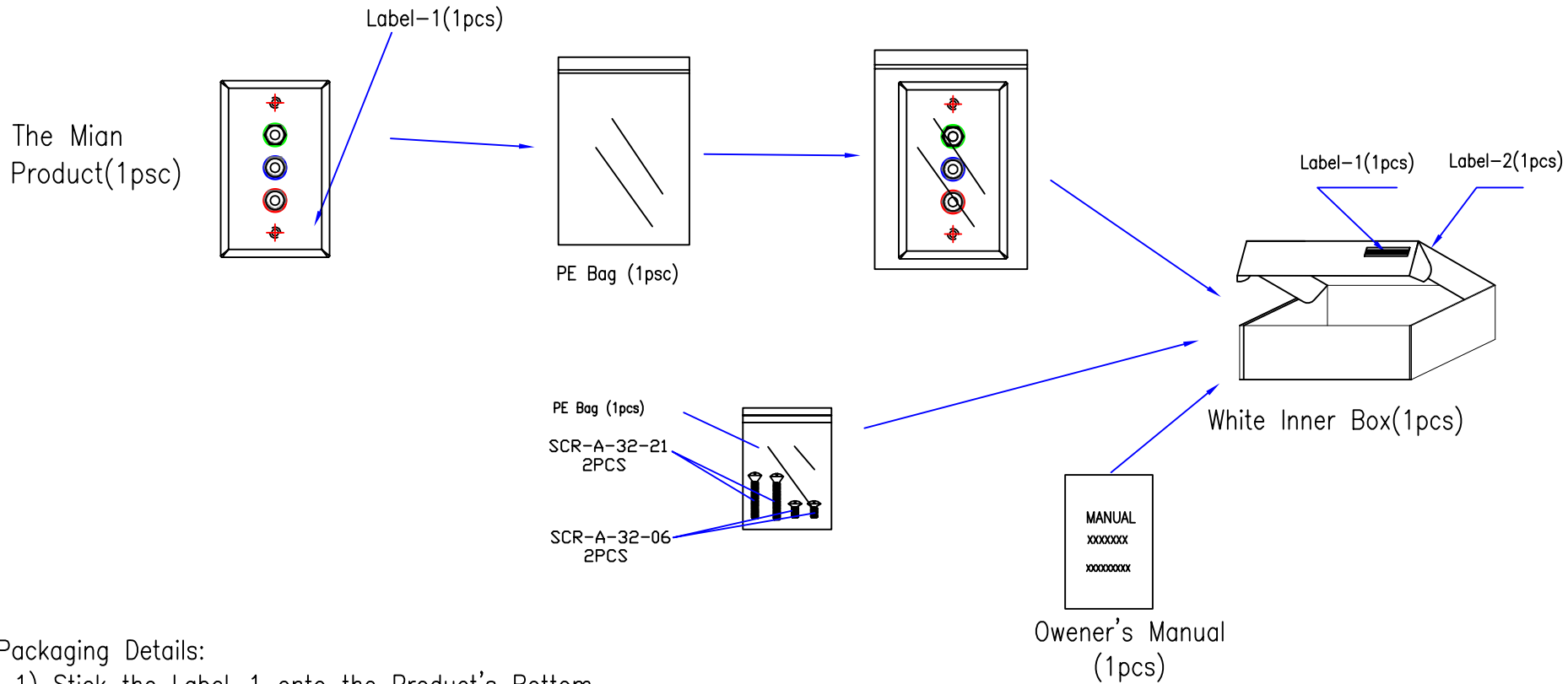
- No software or power adapter required for easy installation.
- Support up HDTV (.480p/720p/1080i)
- Works with UTP (Cat5/5e/6) cable.
- Shell color: White

### Applications

- To be used in home or commercial applications as a fast, and cost-effective means of connecting composite video equipment.
- Ideal for classrooms, projectors, convention facilities, and retail displays.

|                 |                       |     |                              |          |
|-----------------|-----------------------|-----|------------------------------|----------|
| A               | INITIAL RELEASE       |     | 12/10/10                     |          |
| REV             | DESCRIPTION OF CHANGE |     | DATE                         |          |
| TOLERANCE       |                       |     | TNT Tri-Net Technology, Inc. |          |
| INCHES          |                       |     | M/M                          |          |
| .X              | .015                  | .30 | http://www.trinetusa.com     |          |
| .XX             | .010                  | .10 | SCALE                        | NONE     |
| .XXX            | .005                  | .05 | UNIT                         | MM       |
| DRAWN BY: starl |                       |     | SHEET                        | 1/1      |
|                 |                       |     | DATE                         | 12/10/10 |
| CHECK BY:       |                       |     | TITLE: COMPONENT VIDEO (RGB) |          |
| APPD BY:        |                       |     | PART NO: R03-EXT-3BNC-JP-S   |          |





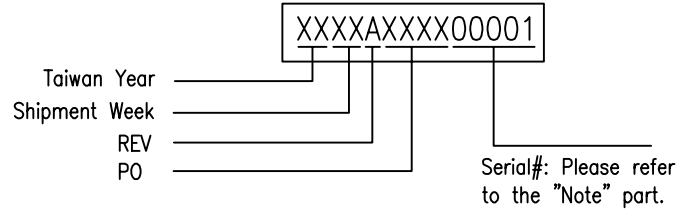
**Packaging Details:**

- 1) Stick the Label-1 onto the Product's Bottom.
- 2) Put the whole item, the enclosed 4pcs of screws (packing with a small PE bag) and owner's manual inside the inner box
- 3) Stick the Label-2 onto this inner box.
- 4) Finally, pack the whole item using pyrocondensation film.
- 5) Inner box size: 125MM (L) X 75MM (W) X 57MM(H)
- 6) Outer carton size: 405MM (L) X 370MM (W) X 185MM (H)
- 7) Put 30pcs of inner boxes into an outer carton.

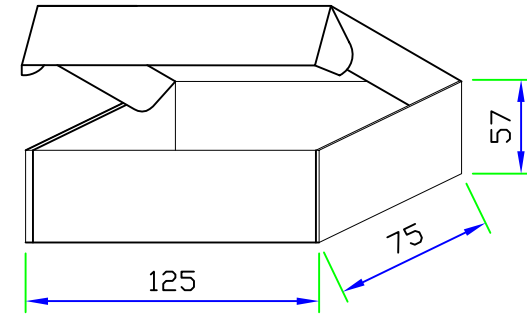
|                  |                       |                               |   |         |
|------------------|-----------------------|-------------------------------|---|---------|
| A                | INITIAL RELEASE       |                               | 12/10/10  |         |
| REV              | DESCRIPTION OF CHANGE |                               | DATE  |         |
| TOLERANCE INCHES |                       | M/M                           | Tri-Net Technology, Inc.<br><a href="http://www.trinetusa.com">http://www.trinetusa.com</a> |         |
| .X               | .015                  | .30                           | SCALE   | NONE    |
| .XX              | .010                  | .10                           | UNIT  | MM      |
| .XXX             | .005                  | .05                           | SHEET   | 2/3     |
| DRAWN BY         | starl                 | DATE                          | 12/10/10  | DWG NO. |
| CHECK BY         |                       | TITLE<br>packing-1            |   |         |
| APPD BY          |                       | PART NO.<br>R03-EXT-3BNC-JP-S |   |         |



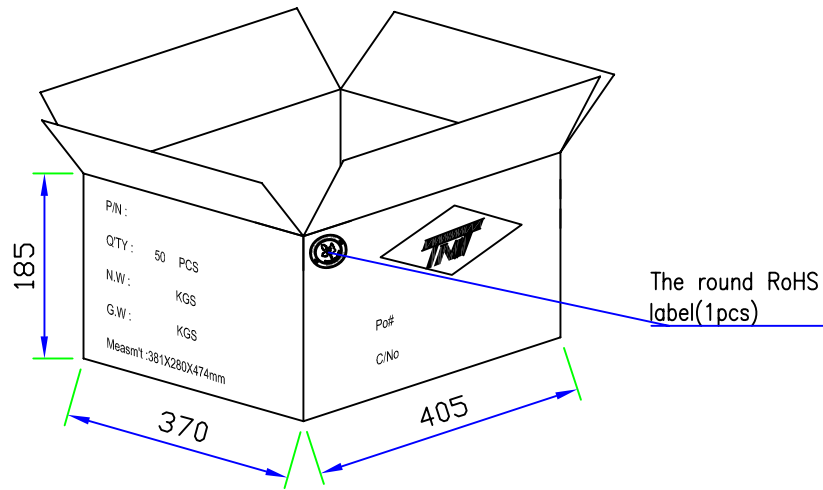
Version Label



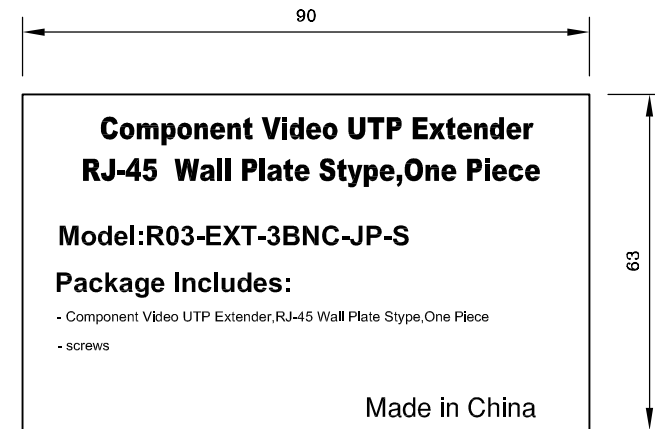
Label-1  
(18x6, Black on White)



White Inner Box



Outer Carton



Label-2  
标签尺寸: 90x63mm  
标签颜色: 黑白

|           |                       |     |                            |   |
|-----------|-----------------------|-----|----------------------------|---|
| A         | INITIAL RELEASE       |     | 12/10/10                   |   |
| REV       | DESCRIPTION OF CHANGE |     | DATE                       |   |
| TOLERANCE |                       | M/M |                            | Tri-Net Technology, Inc.<br><a href="http://www.trinetusa.com">http://www.trinetusa.com</a> |
| INCHES    |                       |     |                            |   |
| .X        | .015                  | .30 |                            |   |
| .XX       | .010                  | .10 |                            |   |
| .XXX      | .005                  | .05 |                            | SCALE NONE<br>UNIT MM<br>SHEET 3/3<br>DATE 12/10/10<br>DWG NO.                              |
| DRAWN BY  | starl                 |     | REV A                      |   |
| CHECK BY  |                       |     | TITLE packing-2            |   |
| APPD BY   |                       |     | PART NO. R03-EXT-3BNC-JP-S |   |

