

Description:

The perfect solution for connecting composite video devices using UTP(Cat5/5e/6) cable, this Composite Video UTP Extender lets you extend signals up to 300ft./100m. With no software or power adapter required, installation and setup is quick and hassle-free.

Features:

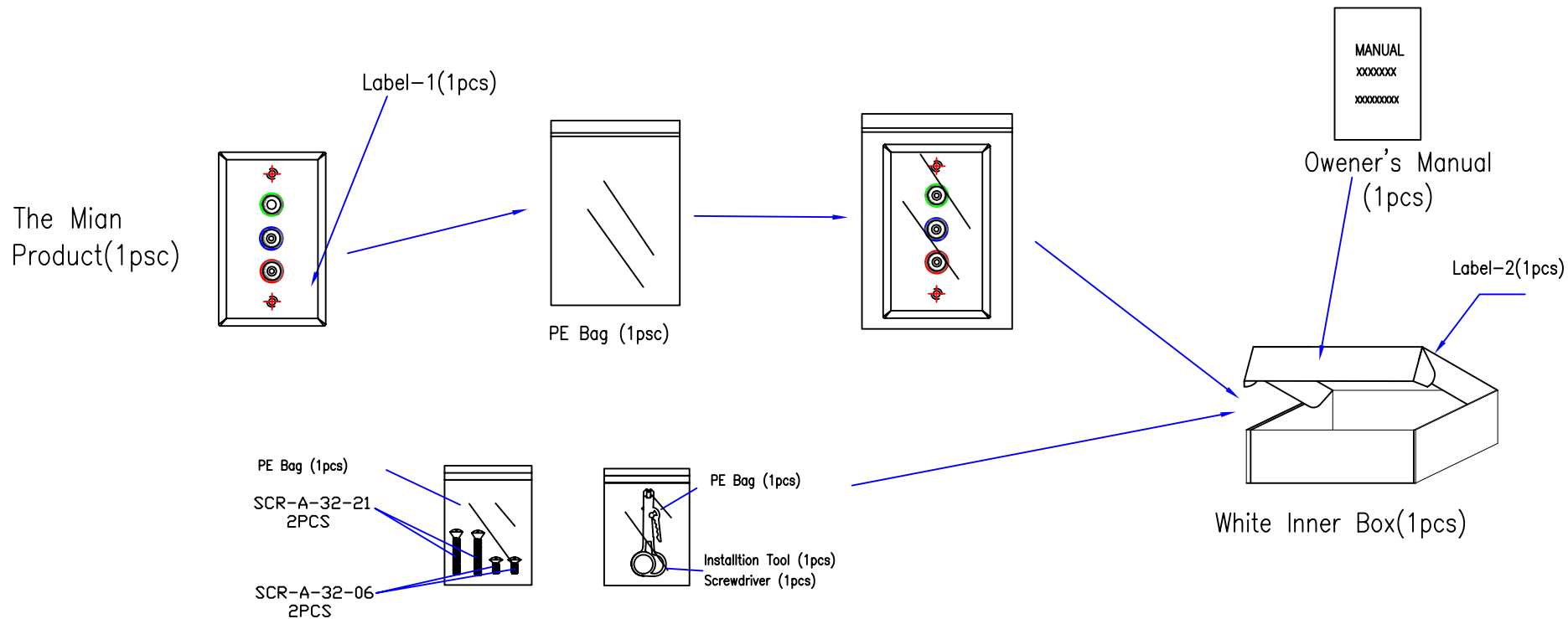
- No software or power adapter required for easy installation.
- Support up HDTV ,(480p/720p/1080i)
- Works with UTP (Cat5/5e/6) cable.
- Shell color: White

Applications

- To be used in home or commercial applications as a fast, and cost-effective means of connecting composite video equipment.
- Ideal for classrooms, projectors, convention facilities, and retail displays.

A		INITIAL RELEASE		02/22/11	
REV	DESCRIPTION OF CHANGE				DATE
TOLERANCE		M/M		Tri-Net Technology, Inc. http://www.trinetusa.com	
INCHES					
.X	.015	.30			
.XX	.010	.10		SCALE	NONE
.XXX	.005	.05		UNIT	MM
DRAWN BY		JON		SHEET	1/3
CHECK BY				DATE	02/22/11
APPD BY				DWG NO.	
TITLE				REV A	
PART NO.				R03-EXT-3BNC-FP-S	





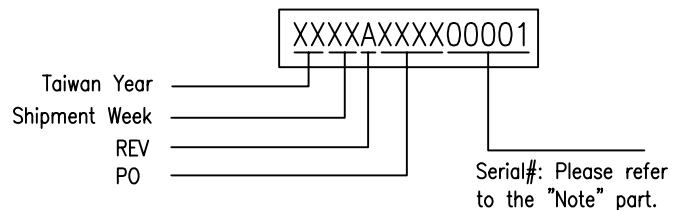
Packaging Details:

- 1) Stick the Label-1 onto the Product's Bottom.
- 2) Put the whole item, the Installation Tool, the enclosed 4pcs of screws (packing with a small PE bag) and owner's manual inside the inner box
- 3) Stick the Label-2 onto this inner box.
- 4) Finally, pack the whole item using pyrocondensation film.
- 5) Inner box size: 125MM (L) X 75MM (W) X 29MM(H)
- 6) Outer carton size: 405MM (L) X 370MM (W) X 185MM (H)
- 7) Put 60pcs of inner boxes into an outer carton. Need to put 4pcs of Overpack Labels onto the main/side marks portion of the outer carton.

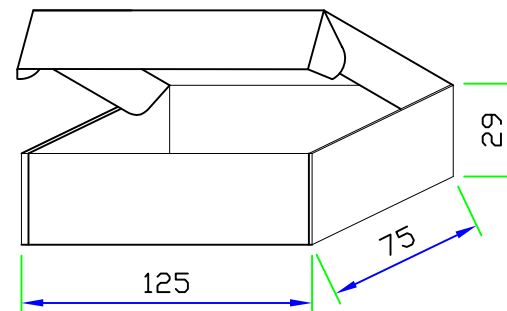


A		INITIAL RELEASE		02/22/11	
REV		DESCRIPTION OF CHANGE		DATE	
TOLERANCE INCHES		M/M		Tri-Net Technology, Inc. http://www.trinetusa.com	
.X	.015	.30	SCALE	NONE	REV A
.XX	.010	.10	UNIT	MM	
.XXX	.005	.05			
DRAWN BY		JON		SHEET 2/3 DWG NO.	
CHECK BY				DATE 02/22/11	
APPD BY				TITLE COMPONENT VIDEO (3BNC), ONE PIECE	
				PART NO. R03-EXT-3BNC-FP-S	

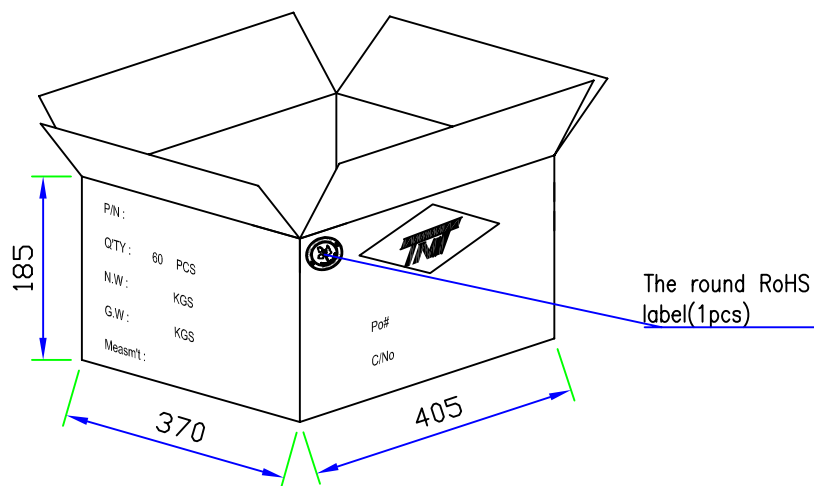
Version Label



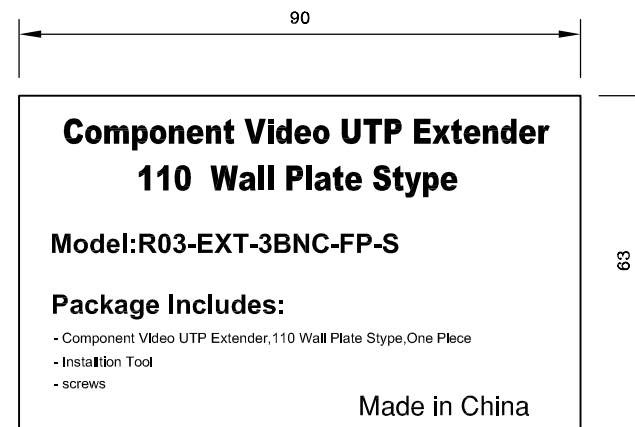
Label-1
(18x6, Black on White)



White Inner Box



Outer Carton



Label-2
标签尺寸: 90x63mm
标签颜色: 黑白



A	INITIAL RELEASE		02/22/11		
REV	DESCRIPTION OF CHANGE		DATE		
TOLERANCE INCHES		M/M		Tri-Net Technology, Inc. http://www.trinetusa.com	
.X	.015	.30	SCALE		NONE
.XX	.010	.10	UNIT		MM
.XXX	.005	.05			REV A
DRAWN BY	JON		SHEET	3/3	DWG NO.
CHECK BY			DATE	02/22/11	
APPD BY			TITLE	COMPONENT VIDEO (3BNC),ONE PIECE	
			PART NO.	R03-EXT-3BNC-FP-S	