

### Description:

The perfect solution for connecting component video devices using UTP(Cat5/5e/6) cable, this Component Video (YPbPr) UTP Extender lets you extend signals up to 300ft./100m. R03-EXT-3BNC-FP is comprised of two extender units that can be used interchangeably: one is installed near the video signal source, the other to be placed near the desired display, up to an impressive 300ft./100m away. With no software or power adapter required, installation and setup is quick and hassle-free.

### Features:

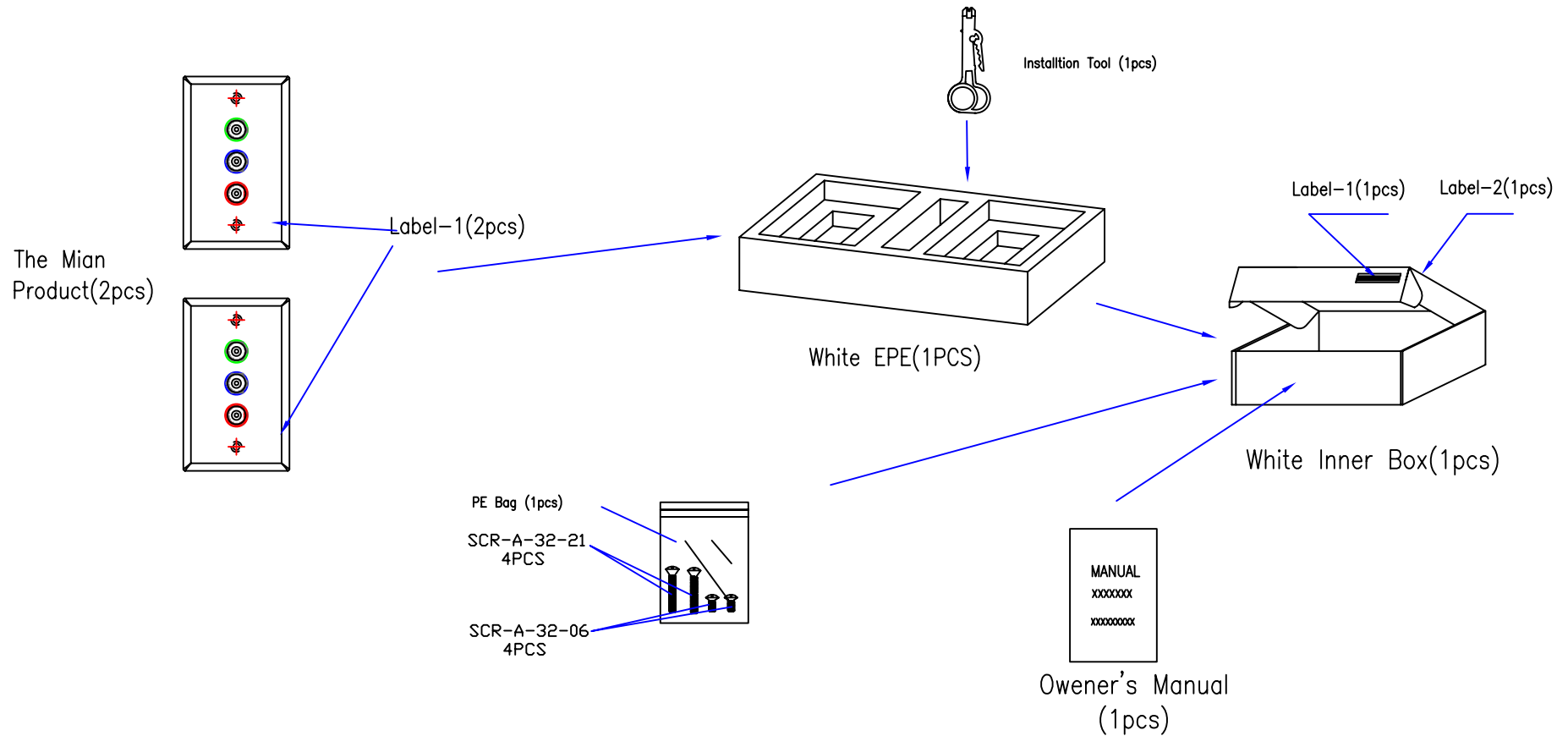
- No software or power adapter required for easy installation.
- Support up HDTV .(480p/720p/1080i)
- Works with UTP (Cat5/5e/6) cable.
- Shell color: White

### Applications

- To be used in home or commercial applications as a fast, and cost-effective means of connecting composite video equipment.
- Ideal for classrooms, projectors, convention facilities, and retail displays.

A	INITIAL RELEASE		02/22/11	
REV	DESCRIPTION OF CHANGE		DATE	
TOLERANCE		TNT Tri-Net Technology, Inc.		
INCHES		M/M		
.X	.015	.30	http://www.trinetusa.com	
.XX	.010	.10	SCALE	NONE
.XXX	.005	.05	UNIT	MM
DRAWN BY		JON	SHEET	1/4
CHECK BY			DATE	02/22/11
APPD BY			DWG NO.	
		TITLE		
		COMPONENT VIDEO (3BNC)		
		PART NO.		
		R03-EXT-3BNC-FP		



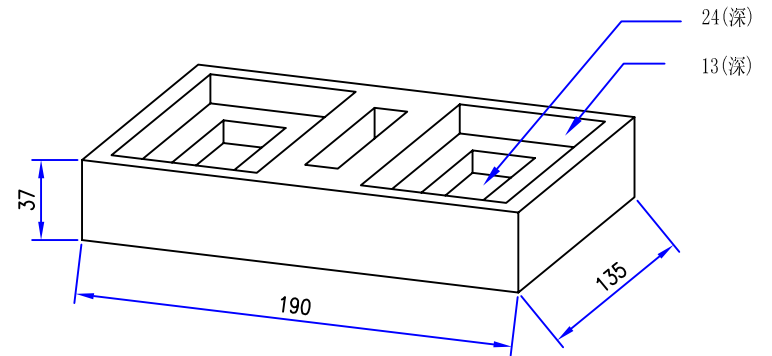
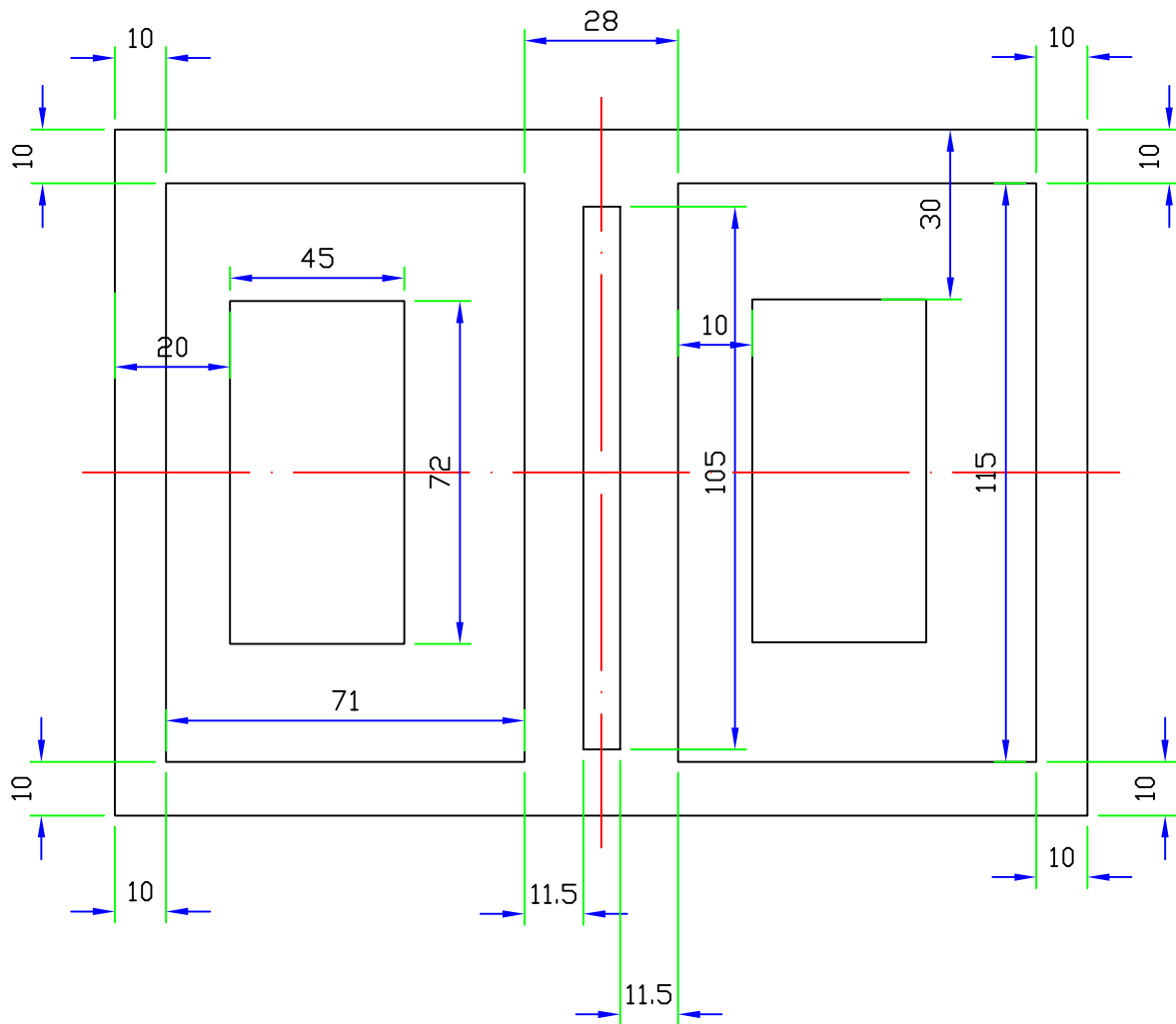


**Packaging Details:**

- 1) Stick the Label-1 onto the Product's Bottom.
- 2) Put the whole item, the enclosed 4pcs of screws (packing with a small PE bag) and owner's manual inside the inner box
- 3) Stick the Label-2 onto this inner box.
- 4) Inner box size: 200(L)X140(W)X42(H)MM
- 5) Outer carton size: 412(L)X292(W)X230(H)MM
- 6) Put 20pcs of inner boxes into an outer carton.

A	INITIAL RELEASE		02/22/11	
REV	DESCRIPTION OF CHANGE			DATE
TOLERANCE INCHES		M/M		Tri-Net Technology, Inc. <a href="http://www.trinetusa.com">http://www.trinetusa.com</a>
.X	.015	.30	SCALE NONE	
.XX	.010	.10	UNIT MM	
.XXX	.005	.05	DATE 02/22/11	REV A
DRAWN BY	JON		SHEET 2/4	DWG NO.
CHECK BY	TITLE COMPONENT VIDEO (3BNC)			
APPD BY	PART NO. R03-EXT-3BNC-FP			





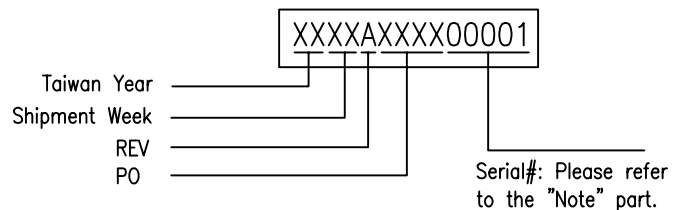
EPE-190-135-37

A	INITIAL RELEASE		02/22/11	
REV	DESCRIPTION OF CHANGE		DATE	
TOLERANCE		M/M		
INCHES				
.X	.015	.30	TNT Tri-Net Technology, Inc. http://www.trinetusa.com	
.XX	.010	.10	SCALE	NONE
.XXX	.005	.05	UNIT	MM
DRAWN BY		JON	SHEET	3/4
CHECK BY			DATE	02/22/11
APPD BY			DWG NO.	
		TITLE		
		PART NO.		
		R03-EXT-3BNC-FP		

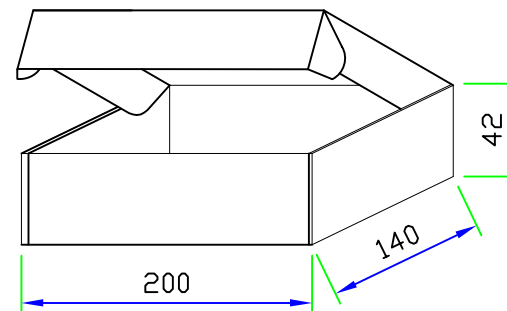


QP-012-02-G

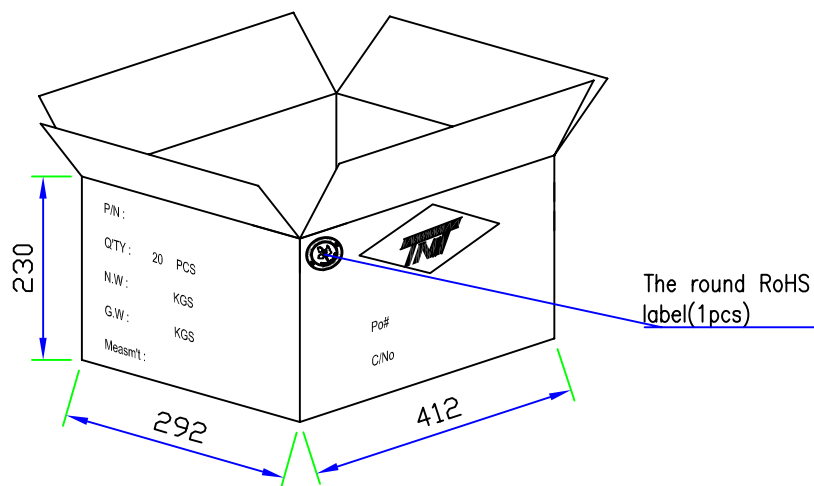
Version Label



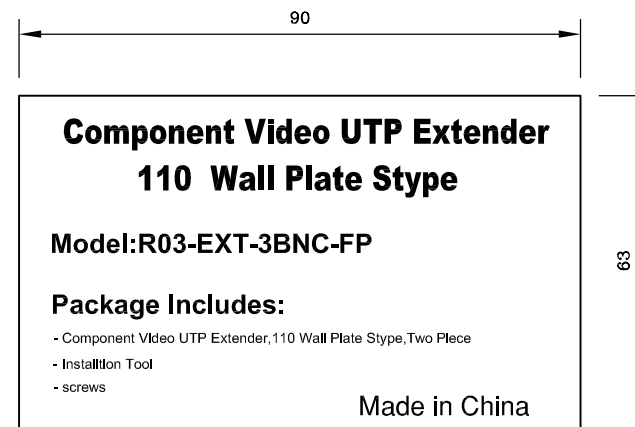
Label-1  
(18x6, Black on White)



White Inner Box



Outer Carton



Label-2  
标签尺寸: 90x63mm  
标签颜色: 黑白

A	INITIAL RELEASE		02/22/11		
REV	DESCRIPTION OF CHANGE		DATE		
TOLERANCE INCHES		M/M		Tri-Net Technology, Inc. <a href="http://www.trinetusa.com">http://www.trinetusa.com</a>	
.X	.015	.30	SCALE		NONE
.XX	.010	.10	UNIT		MM
.XXX	.005	.05	DATE	02/22/11	REV A
DRAWN BY	JON		SHEET	4/4	DWG NO.
CHECK BY			DATE	02/22/11	
APPD BY			TITLE	COMPONENT VIDEO (3BNC)	
			PART NO.	R03-EXT-3BNC-FP	

