

**Features:**

- No software or power adapter required for easy installation.
- Support up HDTV (.480p/720p/1080i)
- Works with UTP (Cat5/5e/6) cable.
- Shell color: Black

**Applications**

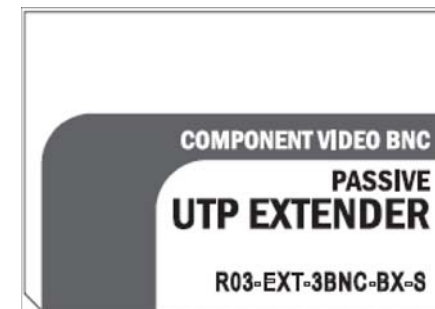
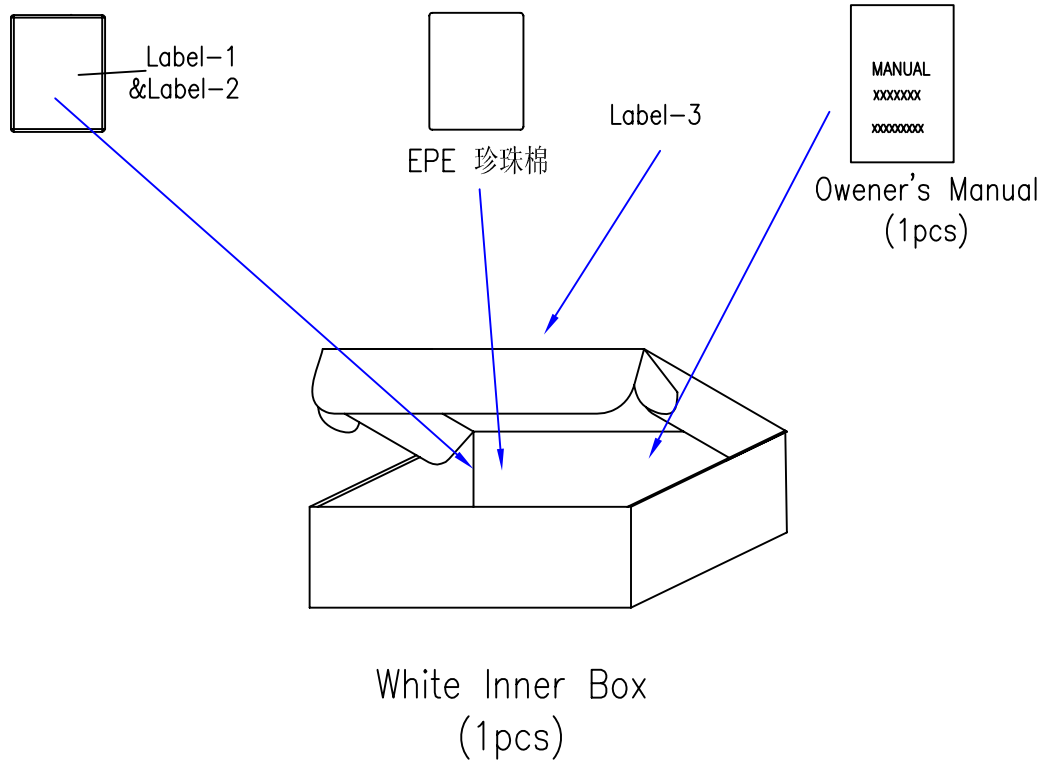
- To be used in home or commercial applications as a fast, and cost-effective means of connecting composite video equipment.
- Ideal for classrooms, projectors, convention facilities, and retail displays.

**Description:**

The perfect solution for connecting component video devices using UTP(Cat5/5e/6) cable, this Component Video (YPbPr) UTP Extender lets you extend signals up to 300ft./100m. R03-EXT-5RCA-BX is comprised of two extender units that can be used interchangeably: one is installed near the video signal source, the other to be placed near the desired display, up to an impressive 300ft./100m away. With no software or power adapter required, installation and setup is quick and hassle-free.

A	INITIAL RELEASE		02/23/11	
REV	DESCRIPTION OF CHANGE		DATE	
TOLERANCE		M/M		Tri-Net Technology, Inc. <a href="http://www.trinetusa.com">http://www.trinetusa.com</a>
INCHES				
.X	.015	.30		
.XX	.010	.10		
.XXX	.005	.05		SCALE NONE UNIT MM SHEET 1/3 DATE 02/23/11 DWG NO.
DRAWN BY		JON		REV A
CHECK BY		TITLE		COMPONENT VIDEO (3BNC),ONE PIECE
APPD BY		PART NO.		R03-EXT-3BNC-BX-S





Label-1(34.5\*25mm)  
(BLACK ON GREY)



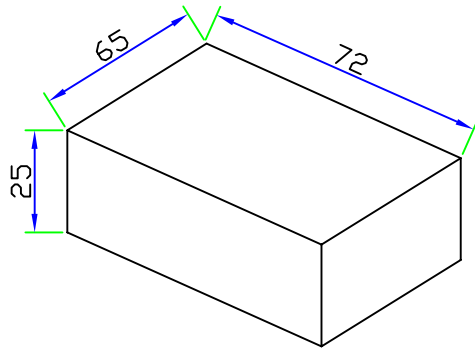
Label-2(34.5\*25mm)  
(BLACK ON GREY)

Packaging Details:

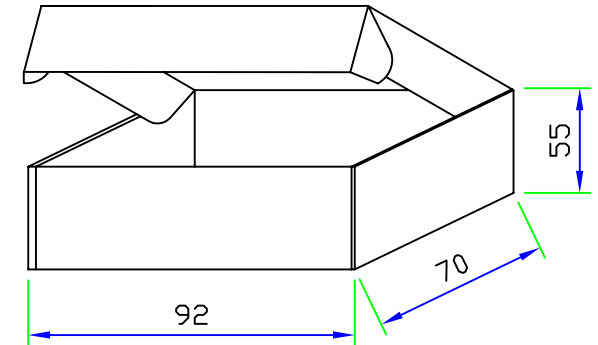
- 1) Stick the label-1 onto the Product's TOP.  
Label-2, Label-4 onto the Product's Bottom.
- 2) Need to put owner's manual and power adapter inside the inner box
- 3) Stick the Label-3 onto this inner box.
- 4) Finally, pack the whole item using pyrocondensation film.
- 5) Inner box size: 92(L)X70(W)X55(H)MM
- 6) Outer carton size: 282(L)X260(W)X221(H)MM
- 7) Put 36pcs of inner boxes into an outer carton.

A	INITIAL RELEASE		02/23/11	
REV	DESCRIPTION OF CHANGE		DATE	
TOLERANCE		M/M		Tri-Net Technology, Inc. <a href="http://www.trinetusa.com">http://www.trinetusa.com</a>
INCHES				
.X	.015	.30		
.XX	.010	.10		
.XXX	.005	.05		SCALE NONE UNIT MM SHEET 2/3 DATE 02/23/11 DWG NO.
DRAWN BY	JON		REV A	
CHECK BY	TITLE		COMPONENT VIDEO (3BNC), ONE PIECE	
APPD BY	PART NO.		R03-EXT-3BNC-BX-S	





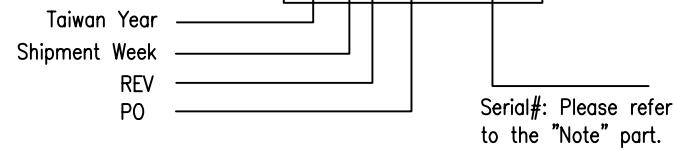
EPE 珍珠棉



White Inner Box

Version Label

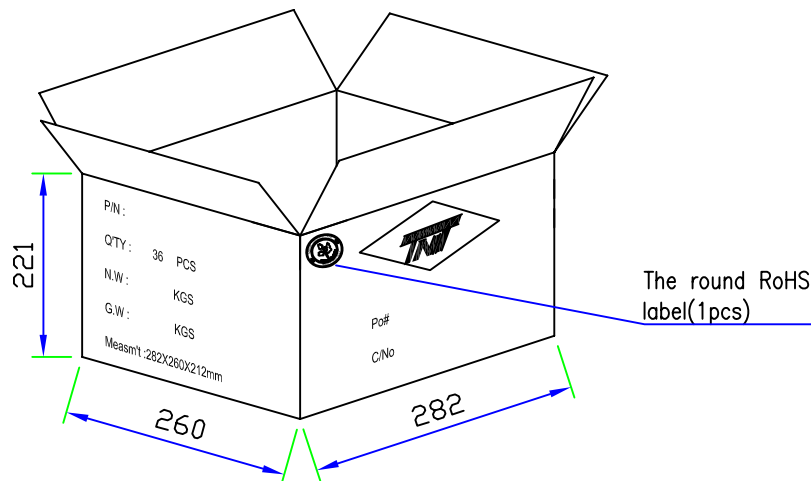
XXXXAXXXX00001



Label-4  
(18x6, Black on White)



LABEL-3 90\*63MM



Outer Carton

A	INITIAL RELEASE		02/23/11	
REV	DESCRIPTION OF CHANGE		DATE	
TOLERANCE		M/M		Tri-Net Technology, Inc. <a href="http://www.trinetusa.com">http://www.trinetusa.com</a>
INCHES				
.X	.015	.30		
.XX	.010	.10		
.XXX	.005	.05		SCALE NONE UNIT MM SHEET 3/3 DATE 02/23/11 DWG NO.
DRAWN BY		JON		REV A
CHECK BY		TITLE		COMPONENT VIDEO (3BNC),ONE PIECE
APPD BY		PART NO.		R03-EXT-3BNC-BX-S

