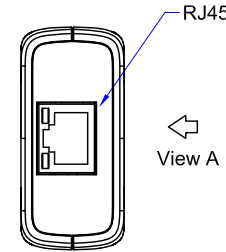
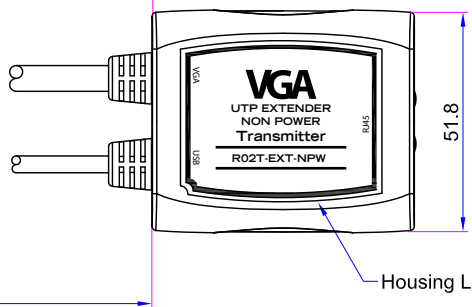
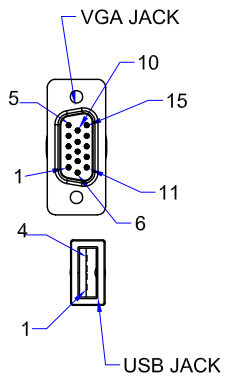
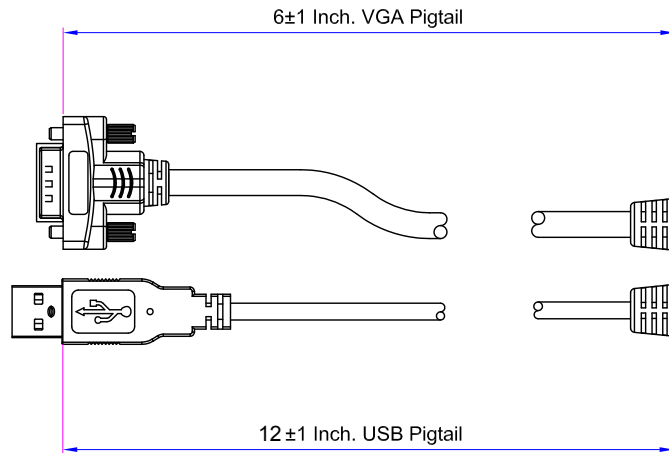
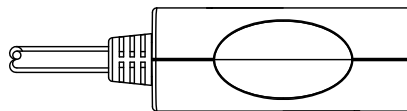


View A



View A



A		INITIAL RELEASE	
REV	DATE	DESCRIPTION OF CHANGE	
GENERAL TOLERANCE (Unless Specified)		Tri-Net Electronics Co. Ltd.	
DECIMALS	INCHES	MM	UNITS
.x	0.015	0.30	mm
.xx	0.010	0.10	SHEET
.xxx	0.005	0.05	5-1
TITLE		VGA No external power UTP Extender	
DATA		PART NO R02T-EXT-NPW	
VER.		DWG NO R02T-EXT-NPW-TX	
ANGLE : ±	0.5°	APPD.	CHK. DR. Afra