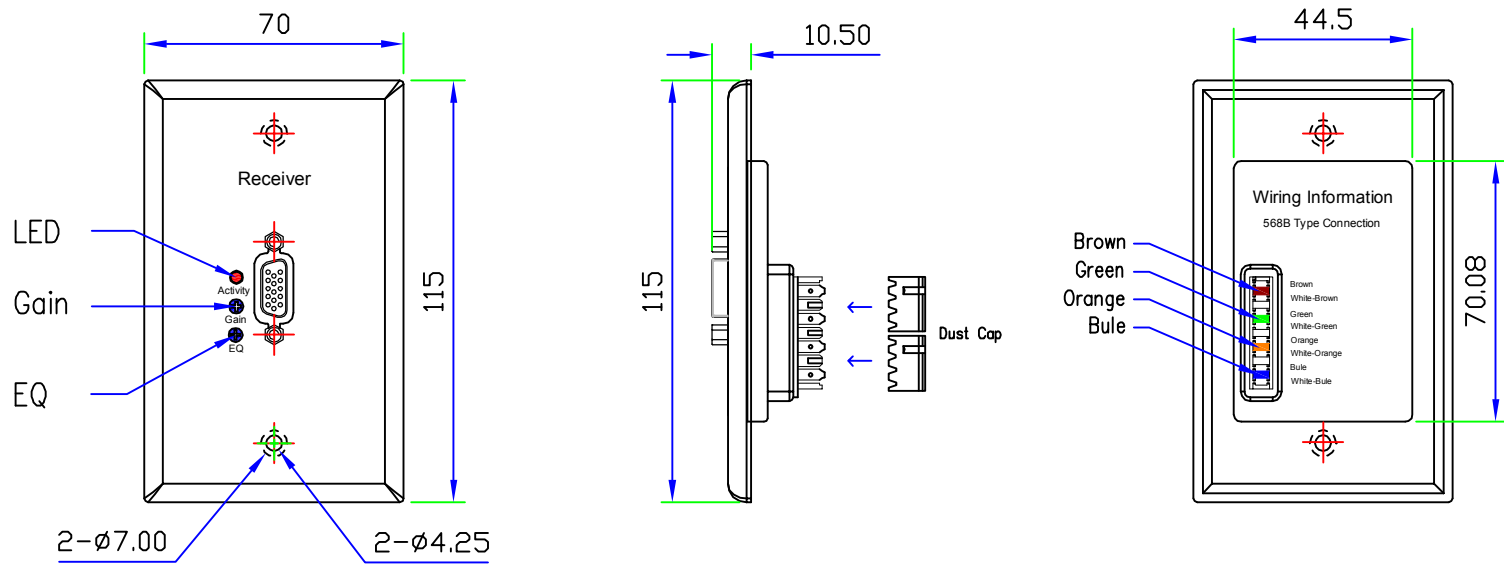


A	INITIAL RELEASE		02/11/09	
REV	DESCRIPTION OF CHANGE		DATE	
	TOLERANCE INCHES	M/M	<b>TNT</b> Tri-Net Technology, Inc. <a href="http://www.trinetusa.com">http://www.trinetusa.com</a>	
.X	.015	.30	SCALE	NONE
.XX	.010	.10	UNIT	MM
.XXX	.005	.05	SHEET	DWG NO.
DRAWN BY	LEO	DATE	02/11/09	
CHECK BY		TITLE	VGA UTP Extender 110 Type Face Plate	
APPD BY		PART NO.	R02-EXT-FP	






### Description

The VGA UTP IDC Extender Faceplate extends the VGA signal up to 500feet/150m away from the VGA source using CAT-5/5e/6 Cable. The R02-EXT-FP face plate style 110 type of extender that has built-in buffer and actively regenerates the signals to preserved data integrity. Depending on the application, it supports video resolution between 640X480 to 1920X1440, and perfectly supports high-clear TV resolution. Its receiver has built-in equalization and gain control to adjust brightness.

### Specifications:

1. It can extend VGA video up to 500feet/150m(1024x768-3db)
2. Provides a VGA interface on the transmitter for using locally
3. Use a piece of UTP cable (CAT5, CAT5E, CAT6) to connect local and remote units.
4. Supports VGA video extending, and bandwidth as high as 350M
5. Supports video resolution between 640X480 to 1920X1440, and perfectly supports high-clear TV resolution
6. Transmit VGA video signal without delay
7. perfect anti-jamming and satisfy any kinds of harsh environment

A	INITIAL RELEASE		02/03/09	
REV	DESCRIPTION OF CHANGE			DATE
TOLERANCE INCHES		M/M		 <b>Tri-Net Technology, Inc.</b> <a href="http://www.trinetusa.com">http://www.trinetusa.com</a>
.X	.015	.30		
.XX	.010	.10		
.XXX	.005	.05		SCALE NONE UNIT MM SHEET DWG NO. DATE 02/03/09
DRAWN BY	LEO		TITLE	
CHECK BY			VGA UTP Extender 110 Type Face Plate	
APPD BY			PART NO. R02-EXT-FP	

