


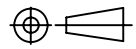
**DESCRIPTION:**

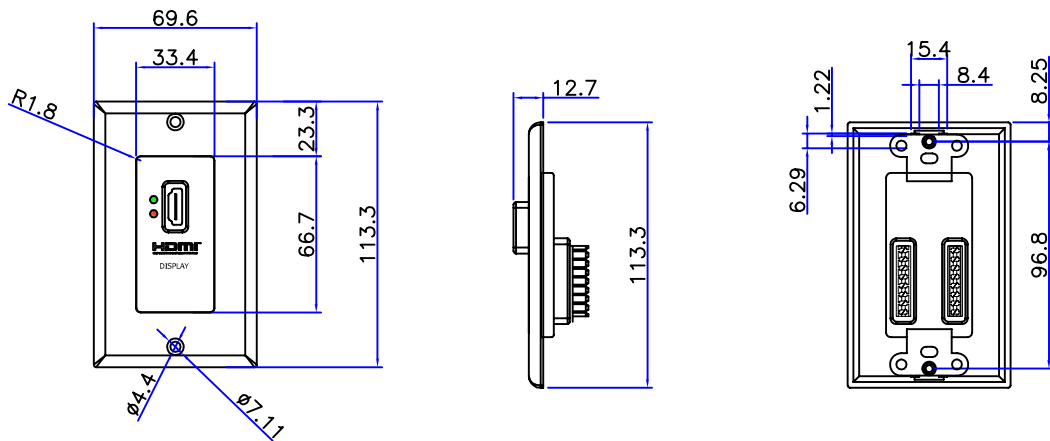
The HDMI UTP IDC Extender extends the HDTV signal up to 150 feet away from the HDTV source using two 4 pairs CAT-5/5e/6 Cables. It provides greater flexibility and options when integrating several home theater components. It can be used in order to correct and compensate for the long run cables that cause the impairments.

**FEATURES:**

- Fully automatic equalization up to 40dB, no system control required
- Extends high definition displays up to 150 feet by UTP Cable from the source
- Eliminates equipment noise in the viewing environment
- Supports 480p, 720p, 1080i, 1080P resolutions
- HDMI and HDCP compliant
- Cable skew compensation improvement
- Decora Type Wall Plate with 110 punch down IDC terminal
- Round Cable Stripper/110 Insertion tool included



C					
B					
A	INITIAL RELEASE			01/14/08	
REV	DESCRIPTION OF CHANGE			DATE	
		TOLERANCE		 <b>Tri-Net Technology, Inc.</b> <a href="http://www.trinetusa.com">http://www.trinetusa.com</a>	
		INCHES	M/M		
.X	.015	.30			
.XX	.010	.10			
		.XXX	.005	.05	SCALE NONE UNIT MM  REV A
DRAWN BY	Phymily		SHEET	1/2	DWG NO.
			DATE	01/14/08	
CHECK BY			TITLE HDMI UTP EXTENDER-110 FACEPLATE SOURCE		
APPD BY			PART NO. R01-EXT-C5E-FP		




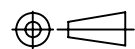
**DESCRIPTION:**

The HDMI UTP IDC Extender extends the HDTV signal up to 150 feet away from the HDTV source using two 4 pairs CAT-5/5e/6 Cables. It provides greater flexibility and options when integrating several home theater components. It can be used in order to correct and compensate for the long run cables that cause the impairments.

**FEATURES:**

- Fully automatic equalization up to 40dB, no system control required
- Extends high definition displays up to 150 feet by UTP Cable from the source
- Eliminates equipment noise in the viewing environment
- Supports 480p, 720p, 1080i, 1080P resolutions
- HDMI and HDCP compliant
- Cable skew compensation improvement
- Decora Type Wall Plate with 110 punch down IDC terminal
- Round Cable Stripper/110 Insertion tool included



C						
B						
A	INITIAL RELEASE			01/14/08		
REV	DESCRIPTION OF CHANGE			DATE		
TOLERANCE				 <b>Tri-Net Technology, Inc.</b> <a href="http://www.trinetusa.com">http://www.trinetusa.com</a>		
	INCHES	M/M				
.X	.015	.30	SCALE			NONE
.XX	.010	.10	UNIT			MM
.XXX	.005	.05	 REV A			
DRAWN BY	Phymily		SHEET	2/2	DWG NO.	
			DATE	01/14/08		
CHECK BY			TITLE			
			HDMIUTP EXTENDER-110 FACEPLATE DISPLAY			
APPD BY			PART NO.			
			R01-EXT-C5E-FP			