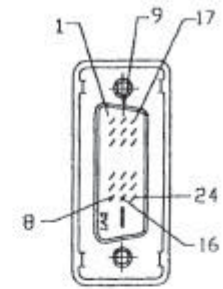
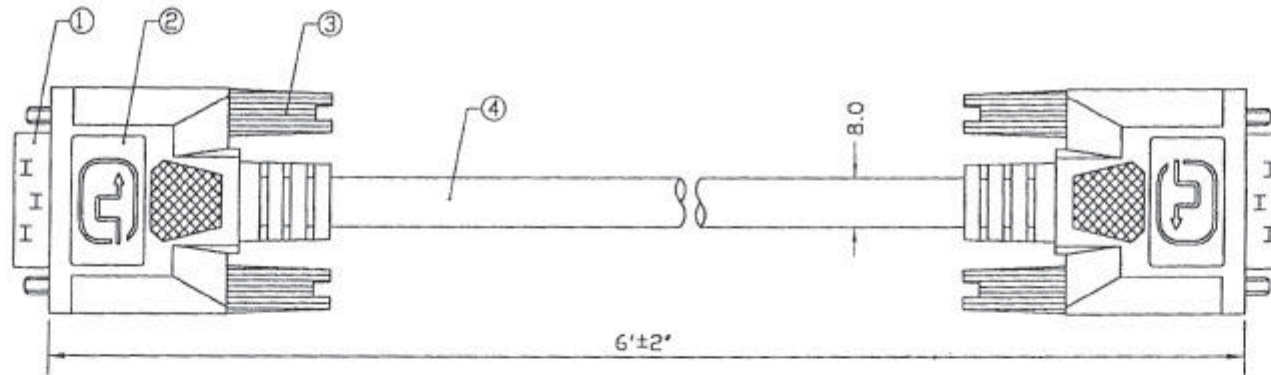
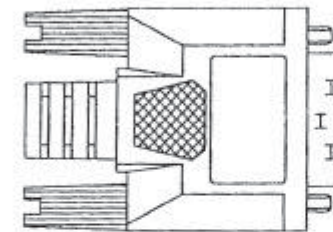
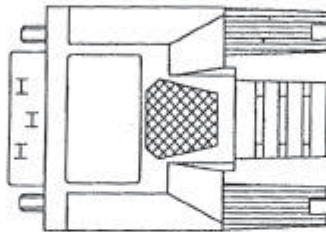


DVI-D



DVI-D



| DVI-D | DVI-D | CABLE FUNCTION |
|--------|--------|--------------------|
| PIN 1 | PIN 1 | TMDS DATA 2- |
| PIN 2 | PIN 2 | TMDS DATA 2+ |
| PIN 3 | PIN 3 | TMDS DATA 2 SHIELD |
| PIN 6 | PIN 6 | DDC CLOCK |
| PIN 7 | PIN 7 | DDC DATA |
| PIN 9 | PIN 9 | TMDS DATA 1- |
| PIN 10 | PIN 10 | TMDS DATA 1+ |
| PIN 11 | PIN 11 | TMDS DATA 1 SHIELD |
| PIN 14 | PIN 14 | +5V POWER |
| PIN 15 | PIN 15 | GND(+5V,HVSVNC) |
| PIN 16 | PIN 16 | HDT PLUG DETECT |
| PIN 17 | PIN 17 | TMDS DATA 0- |
| PIN 18 | PIN 18 | TMDS DATA 0+ |
| PIN 19 | PIN 19 | TMDS DATA 0 SHIELD |
| PIN 22 | PIN 22 | TMDS CLOCK SHIELD |
| PIN 23 | PIN 23 | TMDS CLOCK+ |
| PIN 24 | PIN 24 | TMDS CLOCK- |
| SHIELD | SHIELD | CUTER SHIELD |

ELECTRONIC TEST:
 1.100% OPEN AND SHORT TEST
 2.CONTACT RESISTANCE \leq 1 Ω .
 3.INSULATION RESISTANCE \geq 50M Ω 10ms AT DC 500V



| NO. | DESCRIPTION | UNIT | QTY |
|-----|---|------|-----|
| 4 | UL20276 (1P*28#+D+AL+MYLAR)*4C+1P*28#+3C*28#+AL+B+D,0D-0.0,MICROSOFT WHITE. | | |
| 3 | THUMB SCREW #4-40 | PCS | 4 |
| 2 | PVC MOLDING WITH METAL CAN SHIELDED,MICROSOFT WHITE. | | |
| 1 | DVI-D MALE CONNECTOR | PCS | 2 |

| TOLERANCE | | | | DWG NO: | | | |
|-----------|----------------|------|------|----------------|----------------------|-------|------|
| SELECT | | ✓ | | DVI-013 | | | |
| DR: | 0.000 +/- 0.05 | 0.1 | 0.15 | CHKD: 毕永玲 | TITLE: | | |
| | 0.00 +/- 0.1 | 0.15 | 0.25 | SALES: 李静 9/29 | DVI-D TO DVI-D CABLE | | |
| | 0.0 +/- 0.15 | 0.3 | 0.5 | APPD: 李静 | PART NO.: | | |
| | 0. +/- 0.25 | 0.5 | 1.0 | | E08-DM-DM-S-XX | | |
| ANGLE +/- | | | | | CUSTOMER NAME: | | |
| MATERIAL: | | | | | ITT | | |
| | | | | | CUSTOMER P/N: | | |
| | | | | | UNIT | SCALE | REV. |
| | | | | | MM | NONE | C |