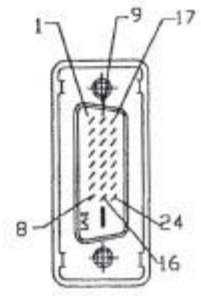
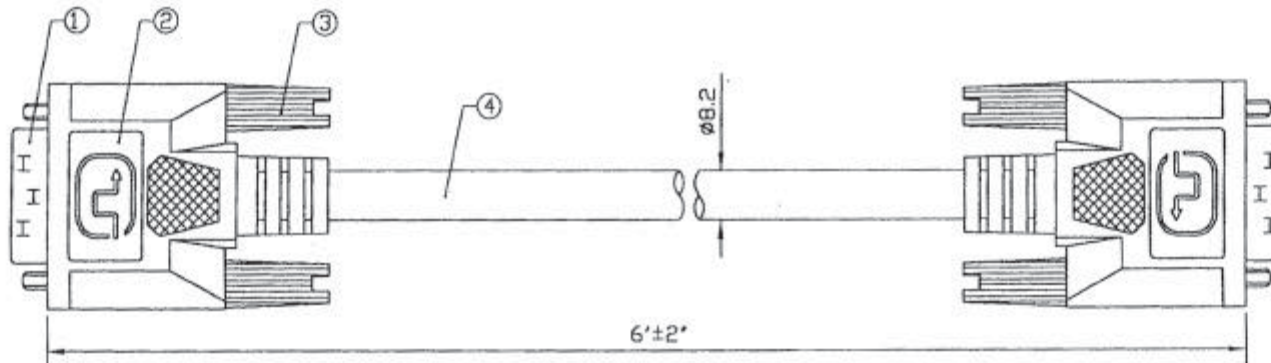
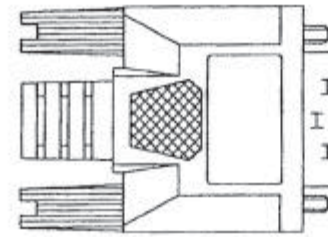
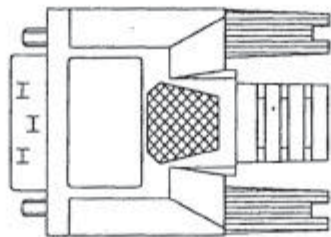


DVI-D



DVI-D



DVI-D	DVI-D	CABLE FUNCTION
PIN 1	PIN 1	TMDS DATA 2-
PIN 2	PIN 2	TMDS DATA 2+
PIN 3	PIN 3	TMDS DATA 2/4 SHIELD
PIN 4	PIN 4	TMDS DATA 4-
PIN 5	PIN 5	TMDS DATA 4+
PIN 6	PIN 6	DDC CLOCK
PIN 7	PIN 7	DDC DATA
PIN 9	PIN 9	TMDS DATA 1-
PIN 10	PIN 10	TMDS DATE 1+
PIN 11	PIN 11	TMDS DATA 1/3 SHIELD
PIN 12	PIN 12	TMDS DATE 3-
PIN 13	PIN 13	TMDS DATA 3+
PIN 14	PIN 14	+5V POWER
PIN 15	PIN 15	GROUND(+5V)
PIN 16	PIN 16	HOT PLUG DETECT
PIN 17	PIN 17	TMDS DATA 0-
PIN 18	PIN 18	TMDS DATE 0+
PIN 19	PIN 19	TMDS DATE 0/5 SHIELD
PIN 20	PIN 20	TMDS DATA 5-
PIN 21	PIN 21	TMDS DATA 5+
PIN 22	PIN 22	TMDS CLOCK SHIELD
PIN 23	PIN 23	TMDS CLOCK+
PIN 24	PIN 24	TMDS CLOCK-
SHIELD	SHIELD	GROUND

ELECTRONIC TEST:
 1.100% OPEN AND SHORT TEST
 2.CONTACT RESISTANCE:≤1 Ω.
 3.INSULATION RESISTANCE:≥50MΩ 10ms AT DC 500V



NO.	DESCRIPTION	UNIT	QTY
4	UL20276 (IP*30#+D+AL)*7C+1P*30#+3C*30#+AL+D+B,ØD:8.2, MICROSOFT WHITE.		
3	THUMB SCREW #4-40	PCS	4
2	PVC MOLDING WITH METAL CAN SHIELDED,MICROSOFT WHITE.		
1	DVI-D MALE CONNECTOR	PCS	2

TOLERANCE				DWG NO.:	Tri-Net Technology
SELECT	TEL	1	2	3	
0.000+/-	0.05	0.1	0.15		TITLE: DVI-D TO DVI-D CABLE
0.00 +/-	0.1	0.15	0.25	DR: 华永碧	PART NO.: E08-DM-DM-D-XX
0.0 +/-	0.15	0.3	0.5	CHKD: 李永平 9/14	CUSTOMER NAME: ITT
0. +/-	0.25	0.5	1.0	SALES:	CUSTOMER P/N:
ANGLE +/-				APPD: 李	UNIT: MM
MATERIAL:					SCALE: NONE
					REV: C