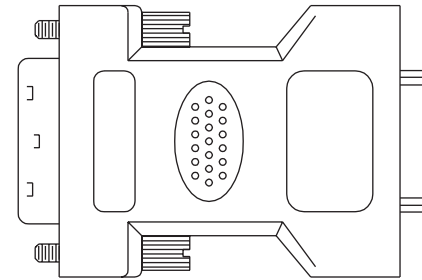
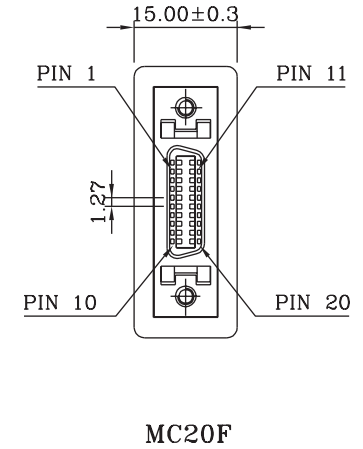
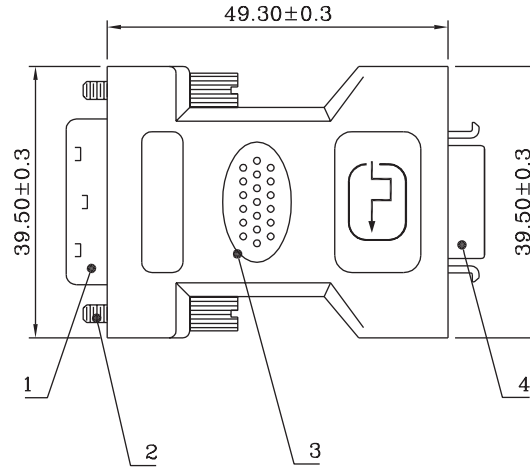
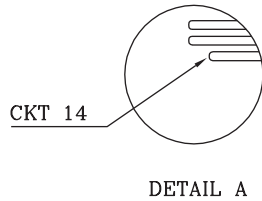
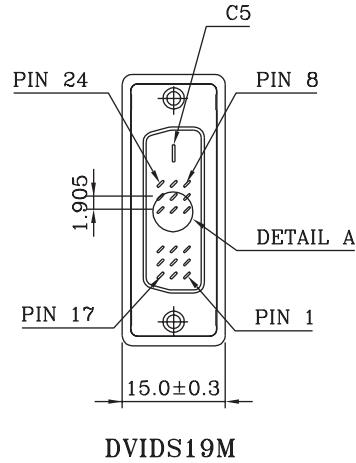


WIRE DIAGRAM

DVIDS 19PIN (M)	MC 20PIN (F)
1	12
2	11
3	13
6	20
7	19
9	2
10	1
11	3
14	8
15	7
16	18
17	16
18	15
19	14
22	4
23	5
24	6
SHIELD	SHIELD



- 100% OPEN / SHORT / INSULATING TEST
- INSULATION TEST: 5MΩ



COMPONENTS	DESCRIPTION	Q'TY
1 DVIDS19M	DVI-Digital 19P Male Connector Insulator: High Temperature Plastic UL-94V-0 Contact: Brass Shell: Steel With Tin Plated 150μ" Over Contact Plating: Gold On Contact Area And Tin/LEAD On Solder Cup All With Nickel Underplating	1
2 Jack Screw	UNC #4-40 Nickel Plated	2
3 Hood	P.V.C Molded Color: Blue Gray Inner Molded With Copper Foil Shielded	1
4 MC20F	Half Pitch 1.27mm Centronic 20P Female Connector Shell: Steel Nickel Plated Insulator: Black P.B.T Contact: Phosphor Bronze 5μ" Gold Plated	1

DWG NO.: DVI-012	TNT Tri-Net Technology			
DR:	TITLE:	DVI-D(M) to DFP(F) Adapter		
CHKD:	SUPPLIER NO.:	70026-1920-0004-3311		
SALES:	SUPPLIER NAME:	WING-TECH		
APPD:	TNT P/N:	E09-DM-DFPF		
		UNIT	SCALE	REV.
		mm	NONE	A