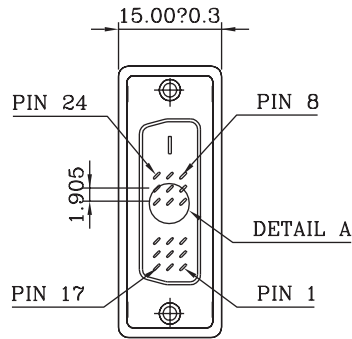
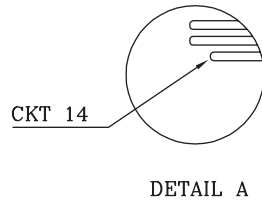


WIRE DIAGRAM

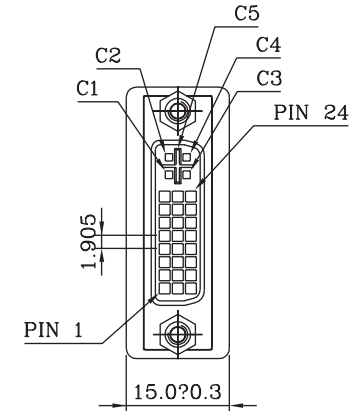
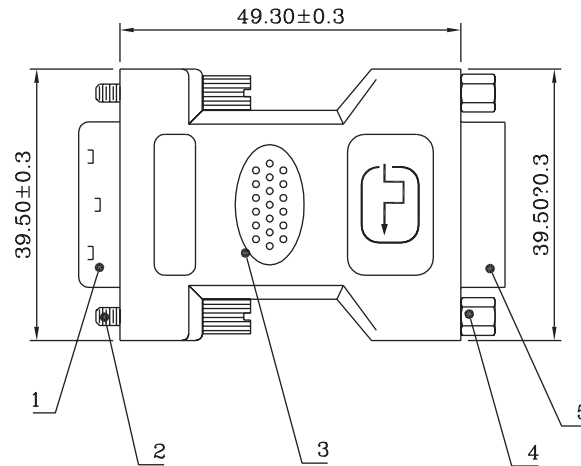
DVIDS 19PIN (M)	DVI 29PIN (F)
1	1
2	2
3	3
6	6
7	7
9	9
10	10
11	11
14	14
15	15
16	16
17	17
18	18
19	19
22	22
23	23
24	24
SHIELD	SHIELD



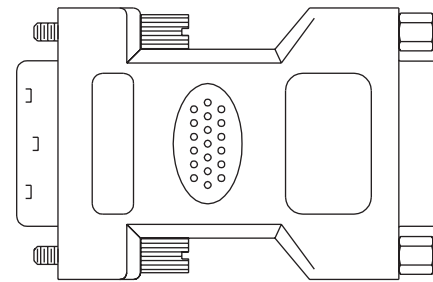
DVIDS19M



DETAIL A



DVI29F



BACK SIDE

- 100% OPEN / SHORT / INSULATING TEST
- INSULATION TEST: 5MΩ

COMPONENTS	DESCRIPTION	Q'TY
1 DVIDS19M	DVI-Digital 19P Male Connector Insulator: High Temperature Plastic UL-94V-0 Contact: Brass Shell: Steel With Tin Plated 150μ" Over Contact Plating: Gold On Contact Area And Tin/LEAD On Solder Cup All With Nickel Underplating	1
2 Jack Screw	UNC #4-40 Nickel Plated	2
3 Hood	P.V.C Molded Color: Beige Inner Molded With Copper Foil Shielded	1
4 Screw Lock	UNC #4-40 Nickel Plated	2
5 DVI29F	DVI-Integrated 29P Female Connector Insulator: High Temperature Plastic UL-94V-0 Contact: Phosphor Bronze Metal Board Lock: Zinc Alloy With Tin Plating 150μ" Over Shell: Zinc Alloy With Nickel Plated 150μ" Over Contact Plating: Gold On Contact Area And Tin/LEAD On Solder Tail All With Nickel Underplating	1



DWG NO: DVI-012	TNT Tri-Net Technology		
DR:	TITLE:	DVI-D(M) to DVI-I (F) Adapter	
CHKD:	SUPPLIER NO.:	70023-1929-0004-1111	
SALES:	SUPPLIER NAME:	WING-TECH	
APPD:	TNT P/N:	E09-DF-DM	
		UNIT	SCALE
		mm	NONE
		REV.	A