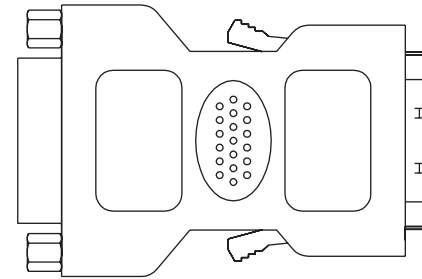
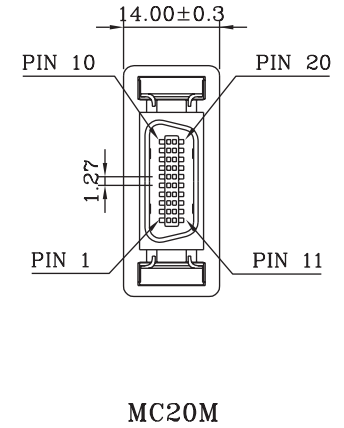
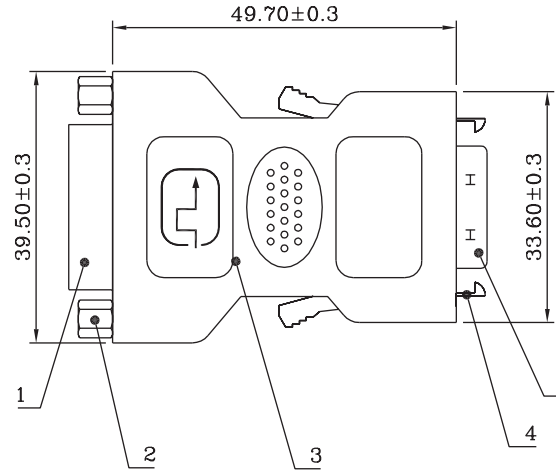
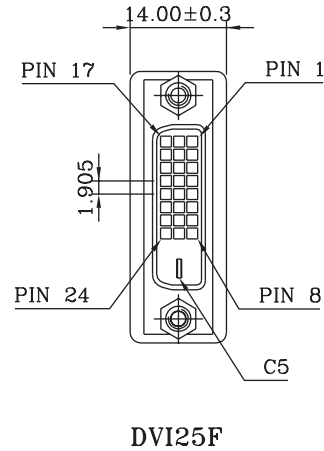


WIRE DIAGRAM

DVI 25PIN (F)	MC 20PIN (M)
1	12
2	11
3	13
6	20
7	19
9	2
10	1
11	3
14	8
15	7
16	18
17	16
18	15
19	14
22	4
23	5
24	6
SHIELD	SHIELD



- 100% OPEN / SHORT / INSULATING TEST
- INSULATION TEST: 5MΩ



COMPONENTS	DESCRIPTION	Q'TY
1 DVI25F	DVI-Digital 25P Female Connector Insulator: High Temperature Plastic UL-94V-0 Contact: Phosphor Bronze Metal Board Lock: Zinc Alloy With Tin Plating 150μ" Over Shell: Zinc Alloy With Nickel Plated 150μ" Over Contact Plating: Gold On Contact Area And Tin/LEAD On Solder Tail All With Nickel Underplating	1
2 Screw Lock	UNC #4-40 Nickel Plated	2
3 Hood	P.V.C Molded Color: Beige Inner Molded With Copper Foil Shielded	1
4 Latch	Spring Latch Stainless Steel Hood: ABS Color: Beige	2
5 MC20M	Half Pitch Centronic 1.27mm 20P Male Connector Shell: Steel Nickel Plated Insulator: Black P.B.T Contact: Phosphor Bronze 5μ" Gold Plated	1

DWG NO: DVI-012	TNT Tri-Net Technology		
DR:	TITLE:	DVI-D(F) to DFP(M) Adapter	
CHKD:	SUPPLIER NO.:	70027-2520-0003-1111	
SALES:	SUPPLIER NAME:	WING-TECH	
APPD:	TNT P/N:	E09-DF-DFPM	
		UNIT	SCALE
		mm	NONE
		REV.	A