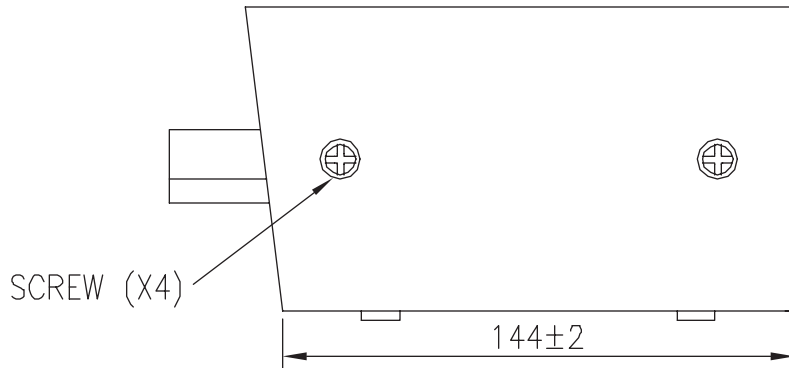
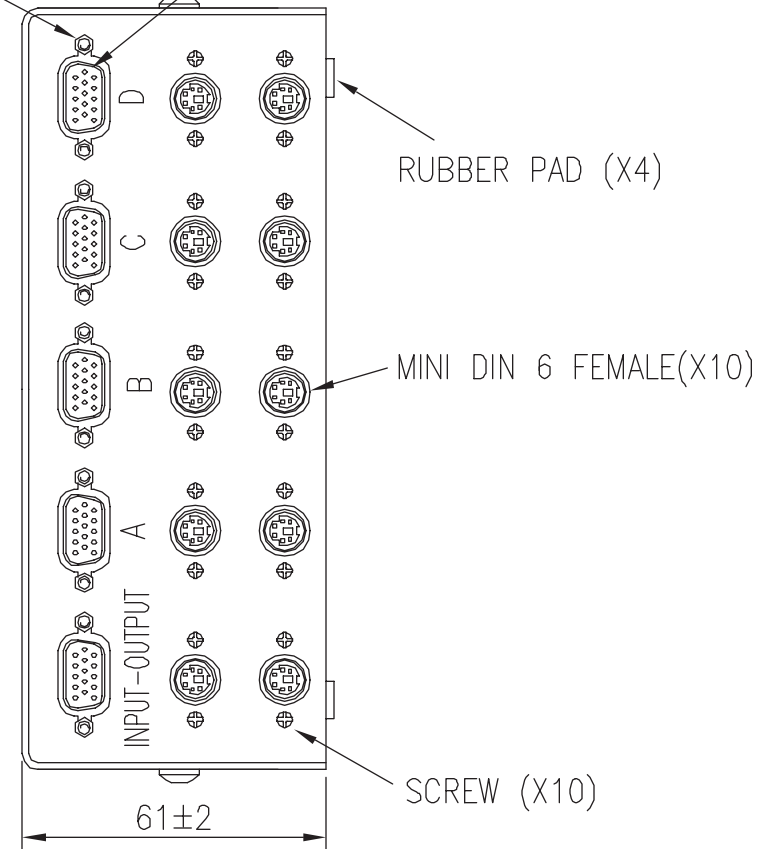


HEX. SCREW:
#4-40UNC (X10) HIGH DENSITY D-SUB 15 FEMALE (X5)



DRAWING APPROVED _____ DATE: _____

SAMPLE APPROVED PER _____ DATE: _____
DRAWING SPECIFICATIONS

PROPRIETARY & CONFIDENTIAL. THIS DOCUMENT MAY NOT BE COPIED, OR DISCLOSED IN WHOLE OR IN PART WITHOUT THE WRITTEN CONSENT OF TNT.

	mm	TITLE	VGA KB/MOUSE T-SWITCH 4:1
SCALE	NONE		HD15F/MD6F/MD6F,1 IN 4 OUT
SHEET	1/3	CUS. NAME	



<input type="checkbox"/> O	DIMENSIONAL TOLERANCES UNLESS OTHERWISE NOTED	
<input type="checkbox"/> S	.X ±	.XX ±
	.XXX ±	ANGLES ±
REV.	∅	CUS. REV

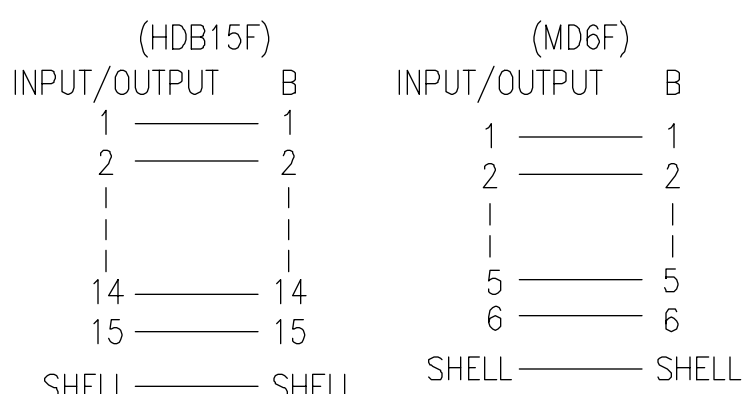
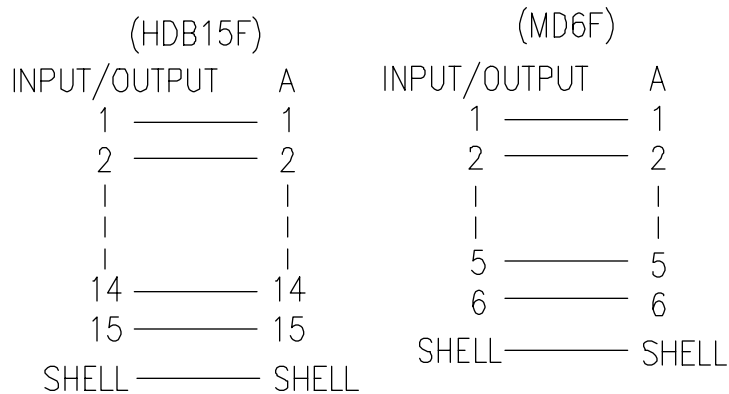
CUS. P/N	A02-PVM-6156-4
DRAW NO.	P0104100-E

ENG.	DATE
CHECKED	DATE
APPROVED	DATE

PIN OUT

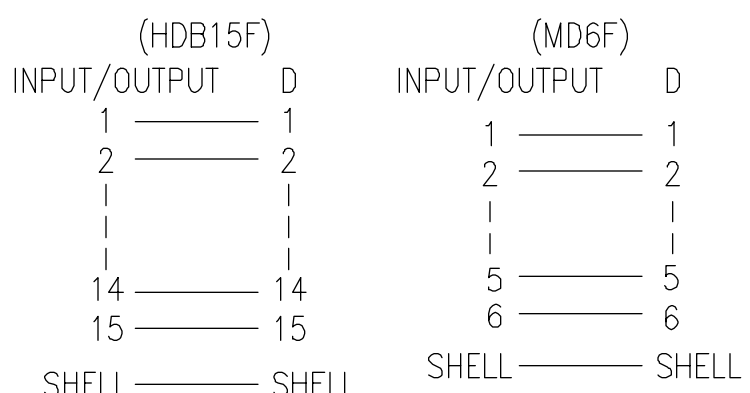
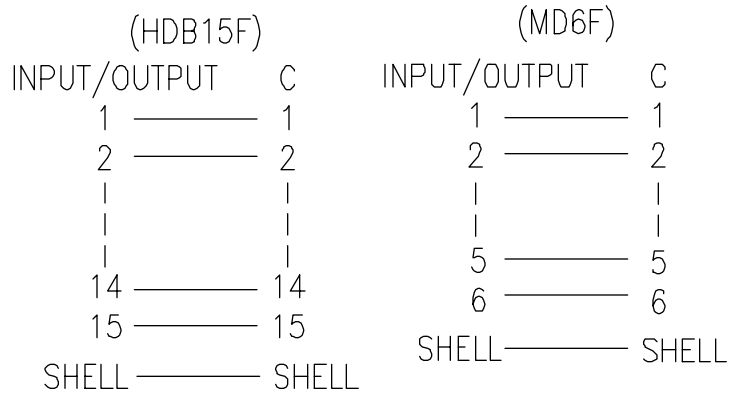
SWITCH ON "A"

SWITCH ON "B"



SWITCH ON "C"

SWITCH ON "D"



DRAWING APPROVED _____		DATE: _____	
SAMPLE APPROVED PER _____		DATE: _____	
DRAWING SPECIFICATIONS _____			
PROPRIETARY & CONFIDENTIAL. THIS DOCUMENT MAY NOT BE COPIED, OR DISCLOSED IN WHOLE OR IN PART WITHOUT THE WRITTEN CONSENT OF TNT.			
	mm	TITLE MANUAL DATA SWITCH PIN OUT	
SCALE	NONE	CUS. NAME	
SHEET	2/3	CUS. P/N A02-PVM-6156-4	
DIMENSIONAL TOLERANCES UNLESS OTHERWISE NOTED		DRAW NO. P0104100-E	
<input type="checkbox"/> O	.X ±	.XX ±	ENG. _____ DATE _____
<input type="checkbox"/> S	.XXX ±	ANGLES ±	CHECKED _____ DATE _____
REV. \emptyset	CUS. REV.	APPROVED _____ DATE _____	

