

HEX. NUT:
#4-40UNC (X10)

SCREW (X4)




- O
- S

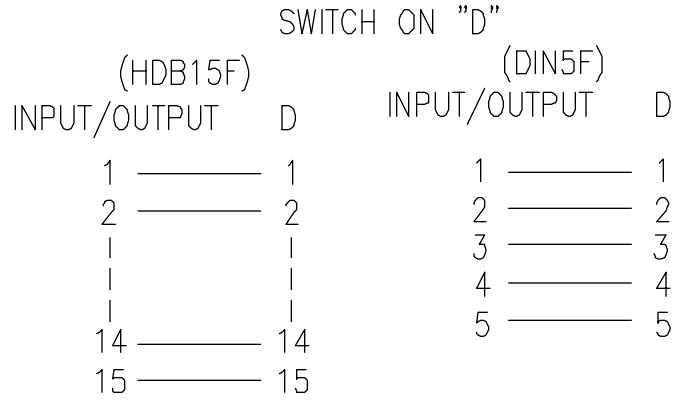
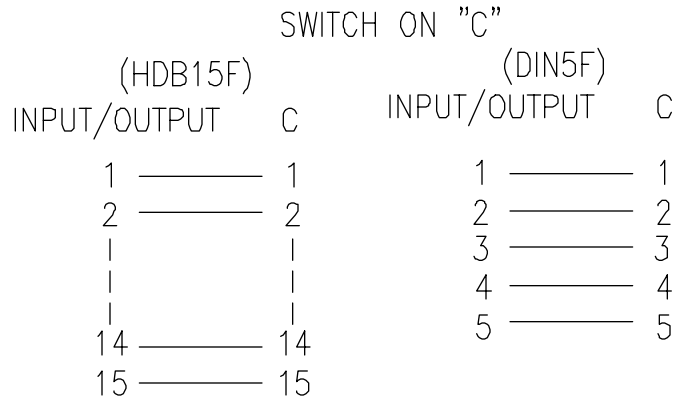
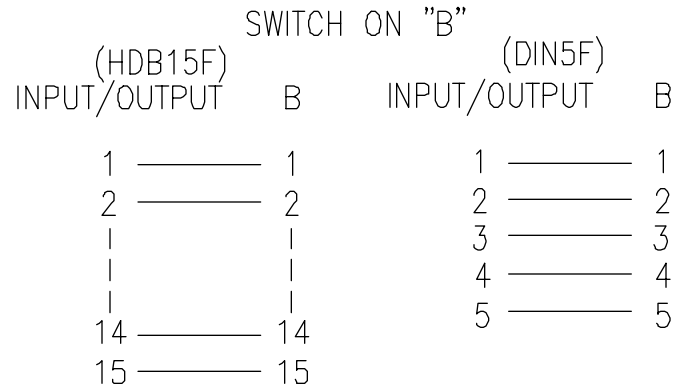
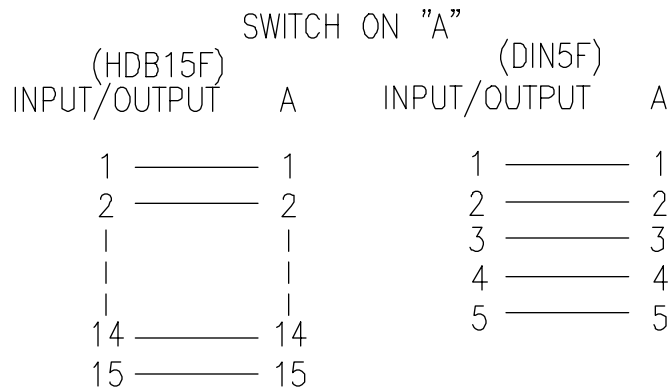
DRAWING APPROVED _____ DATE: _____

SAMPLE APPROVED PER DRAWING SPECIFICATIONS _____ DATE: _____

PROPRIETARY & CONFIDENTIAL. THIS DOCUMENT MAY NOT BE COPIED, OR DISCLOSED IN WHOLE OR IN PART WITHOUT THE WRITTEN CONSENT OF TNT.

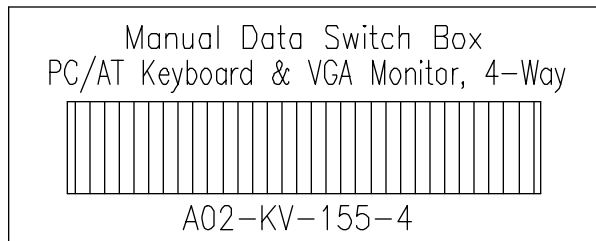
<input type="checkbox"/> mm SCALE NONE SHEET 1/2	TITLE MANUAL DATA SWITCH	
DIMENSIONAL TOLERANCES UNLESS OTHERWISE NOTED .X ± .XX ± .XXX ± ANGLES ± REV. Ø CUS. REV.	CUS. NAME CUS. P/N A02-KV-155-4 PART NO. P9910016-E	


PIN OUT



NOTE:

- PACKING: EACH MANUAL DATA SWITCH IN A BOX, BAR CODE LABEL (WHITE BACKGROUND WITH BLACK LETTERS, CODE: 39) TO BE STAMPED ON BOX TO READ:



DRAWING APPROVED _____		DATE: _____	
SAMPLE APPROVED PER DRAWING SPECIFICATIONS _____		DATE: _____	
PROPRIETARY & CONFIDENTIAL. THIS DOCUMENT MAY NOT BE COPIED, OR DISCLOSED IN WHOLE OR IN PART WITHOUT THE WRITTEN CONSENT OF TNT.			
	mm	TITLE MANUAL DATA SWITCH PIN OUT 	
SCALE	NONE		
SHEET	2/2		
DIMENSIONAL TOLERANCES UNLESS OTHERWISE NOTED		CUS. NAME	
<input type="checkbox"/> O	.X ±	CUS. P/N	
<input type="checkbox"/> S	.XX ±	A02-KV-155-4	
	.XXX ±	PART NO.	
REV.	∅	CUS. REV.	P9910016-E
		ENG.	DATE
		CHECKED	DATE
		APPROVED	DATE